

CATALOG		COMMENTS
PROJECT		
PREPARED BY		
DATE		

APPLICATIONS

This economical, easily-installed, off-grid lighting solution is ideal for areas such as pathways, parking lots, landscaping, parks, schools, trails, or any remote locations that have no access to conventional power.

DESCRIPTION

Even in winter months, if sunlight is hitting a solar panel, it will generate electricity. Cold climates are actually optimal for solar panel efficiency. Contrary to common belief, heat diminishes the solar panel's electricity production. Soltech adopted unique, innovative battery technology to overcome the shortcomings of solar lighting system's cold weather performance. The super cold-tolerant battery technology in the SUNLIKE PRO 30W provides excellent low-temperature charge and discharge performance.

CERTIFICATION DATA



ORDERING INFORMATION

SERIES	WATTAGE	OPTIC TYPE	COLOR TEMPERATURE	MOUNTING OPTIONS	FINISH
STLSTCPRO=SUNLIKE PRO	30=30W 6000 Lumens	T2=TYPE II T3=TYPE III T4=TYPE IV	3=3000K 4=4000K 5=5000K 6=5700K	WM=Wall Mount TRR=Trunnion Round TRS=Trunnion Square SF=Slip Fitter SA=Straight Arm	GY=Gray BR=Bronze

- - - - -

SPECIFICATION FEATURES

MPPT Controller

- Maximum Power Point Tracking (MPPT) is a technique for tracking and regulating the output energy from the solar panel to the battery.
- Measures the solar panel output voltage and current in real-time and continuously tracks the maximum power.
- Regulates the output voltage so that the system can always charge the battery with the maximum power.
- Significantly improves the solar system energy utilization rate, with a conversion efficiency up to 97%.
- Increases the solar system's charging efficiency by at least 20% compared to Pulse Width Modulation (PWM).

(IAP) Intelligent Adaptive Program Battery Control Technology

In order to extend the off-grid autonomy of the SUNLIKE PRO 30W under shade trees, heavy rain, and thick clouds, our controllers now integrate an adaptive smart control feature to actively track battery capacity and adjust light output accordingly. Before integrating this feature, selecting a light output percentage on the remote would yield an accurate percentage of max LED brightness. Activating the IAP, the controller actively monitors the battery and regulates the electrical current to the LEDs. The controller makes the light output of a selected percentage on the remote relative to battery capacity rather than max LED output. This smart-control feature can increase the fixture's off-grid performance by up to 40%.

SPECIFICATION FEATURES



- 50+ Hours Max Autonomy**
- 691 WH battery capacity
 - Full self-charging time is less than 11 hrs
 - One-key smart programming



- Complete Universality**
- 5 different mounting options
 - Designed for round pole, square pole and wall pack applications
 - Acts as a solar area light



- High Brightness, Smart Power Consumption**
- 200lm/W—the highest efficiency in the industry
 - PIR motion sensor and one-key automatic dimming
 - Automatically switches to 40% energy saving mode during low battery levels

CATALOG	PROJECT	COMMENTS



- Longer Life**
- Grade A Superior Battery Pack, 2000+ full charging cycles
 - Lumileds 5050 LED chips

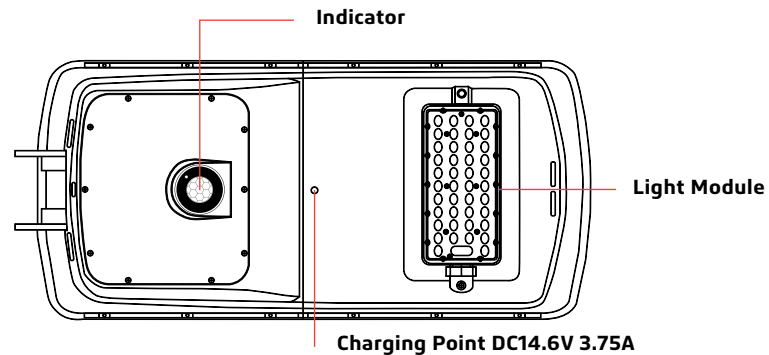
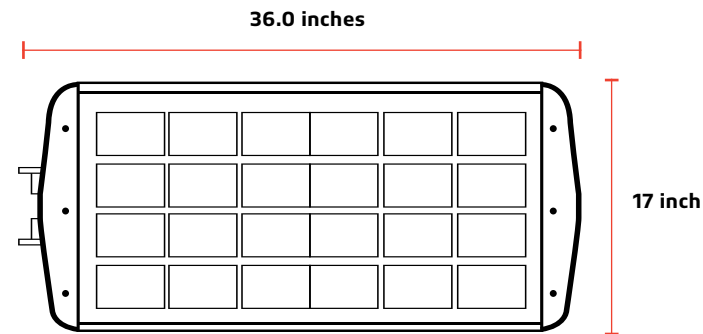


- Greater Energy Production**
- 52W Mono-Crystalline Solar Panel
 - Adjustable angle for the fixture head allows maximum solar collection and self-cleaning of the solar panel surface



- Low Maintenance Design**
- Field-replaceable battery functionality via quick connections
 - Die cast A380 aluminum fixture housing is rust-free
 - 10+ year warranty options for municipal utility projects

PRODUCT SIZE



SPECIFICATIONS

CATALOG	PROJECT	COMMENTS

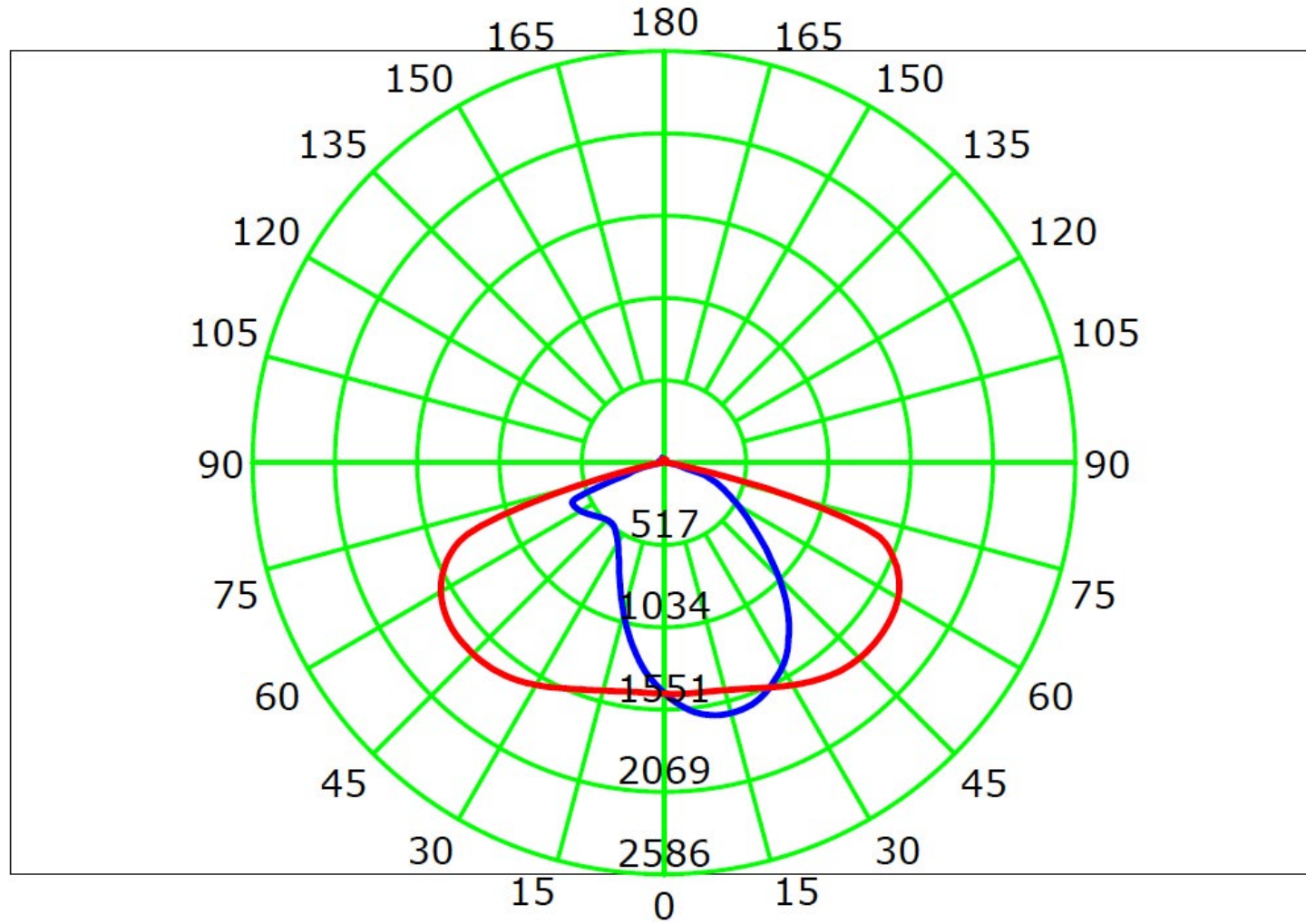
LED Nominal Power	30W
Solar Panel	18V 52W
LiFePO₄ Battery	320WH 12.8V 25AH Superior Battery
Weight	47.1 lbs
Lumen Output@5000K	6,000
CRI	> 70
LED Chip	Lumileds 5050 (215lm-CR>70)
EPA	6.26
Waterproof Rate	IP65
Casting	Aluminum
Efficiency@5000K	200 lm/W
* Charging Time	11hrs
Run Time (@Full Power)	10hrs
Operation Mode	Remote control and One-key Setting
Installation Height	9 to 20ft
* Operating Temperature	-40 °F to 140 °F
* Charging Temperature	-40 °F to 140 °F
Maximum Autonomy	
Motion Sensor Mode	40%-100% 25hrs 20%-80% 50hrs
Time Control Mode	Night Owl 23hrs Early Bird 20hrs
Constant Mode	100% 11hrs 70% 15hrs 40% 26hrs

* The temperature can impact the battery's charging and normal operation.

* The solar charge time data is base on 77 degree F ambient temperature with the panel pointed directly at the solar radiation. The standard radiation value is 1000W/m².

CATALOG	PROJECT	COMMENTS
PREPARED BY		
DATE		

IES / BEAM

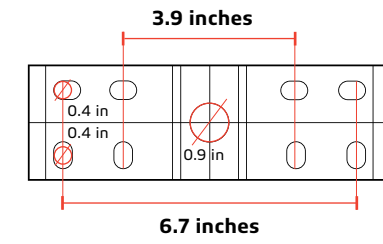
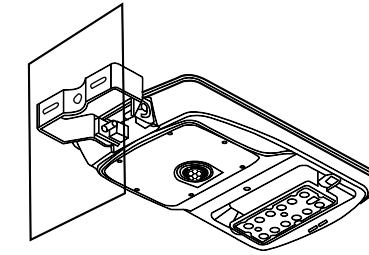


SUNLIKE PRO 30W Type III

CATALOG	PROJECT	COMMENTS
PREPARED BY		
DATE		

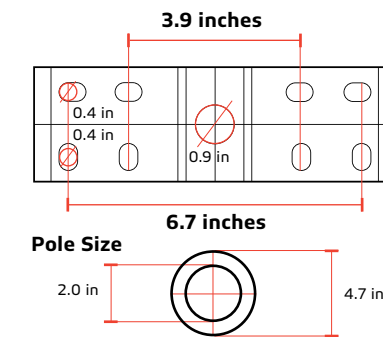
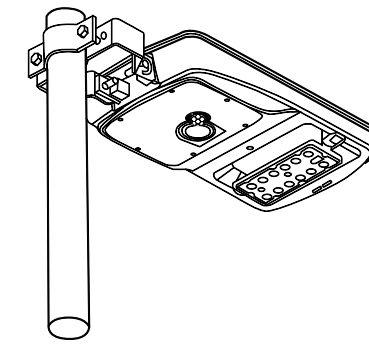
INSTALLATION ACCESSORIES

A. TRUNNION—Wall Mount



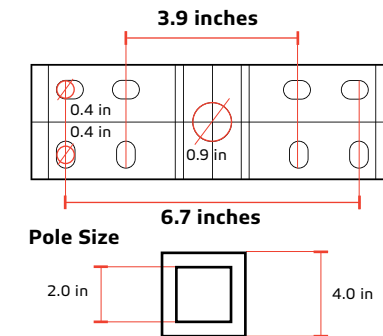
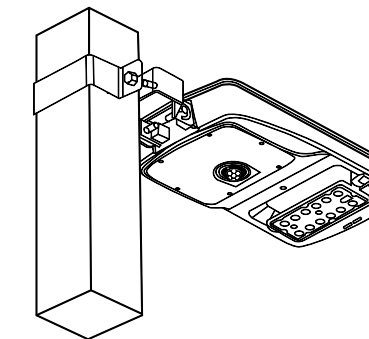
A-b. STLSTCP-WM-30W (for SUNLIKE PRO 30W)

B. TRUNNION—Round



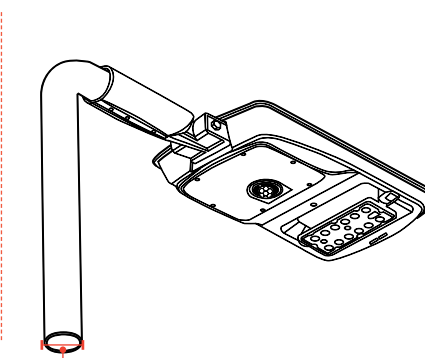
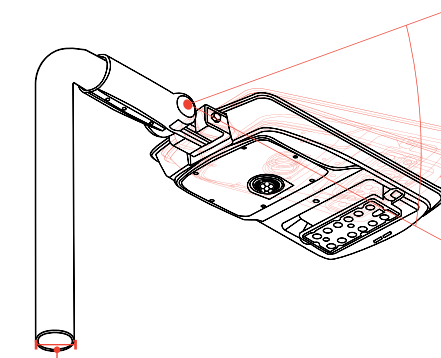
B-b. STLSTCP-TRR-30W (for SUNLIKE PRO 30W) works with 2.0 inches to 4.7 inches poles.

C. TRUNNION—Square

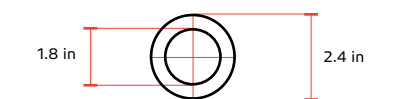


C-b. STLSTCP-TRS-30W (for SUNLIKE PRO 30W) works with 2.0 inches to 4.0 inches poles.

D. SLIP FITTER—Rotative AND STRAIGHT ARM

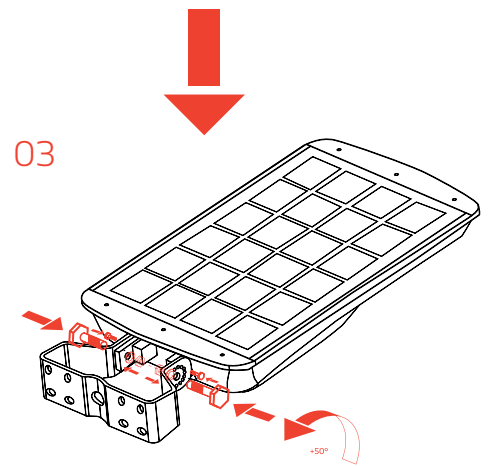
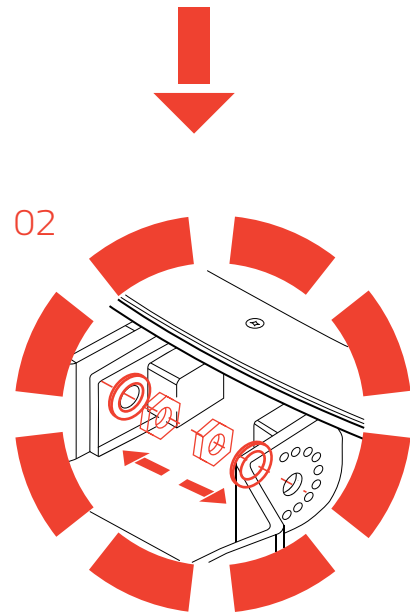
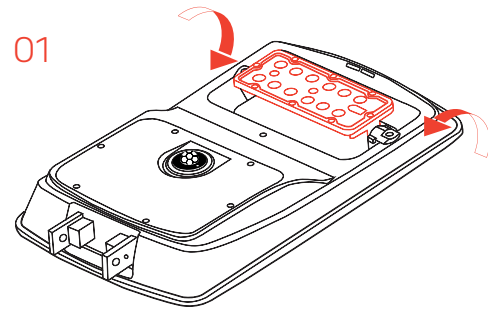


Pole Size For Slip Fitter And Straight Arm

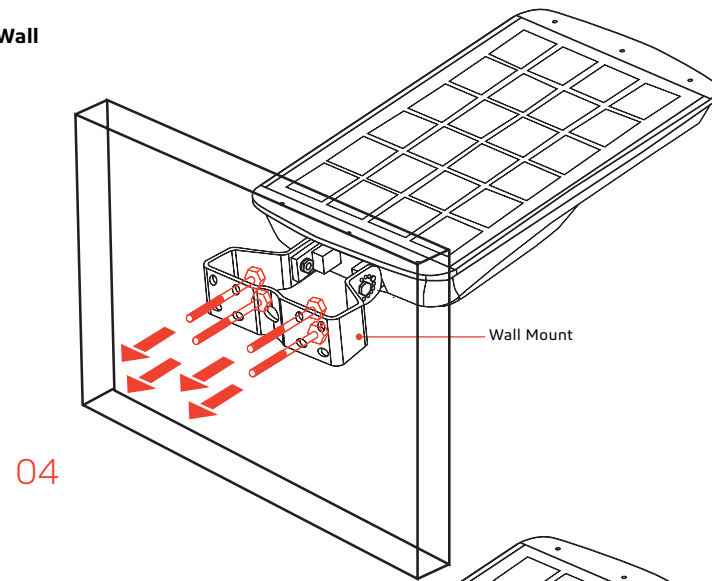


CATALOG	PROJECT	COMMENTS

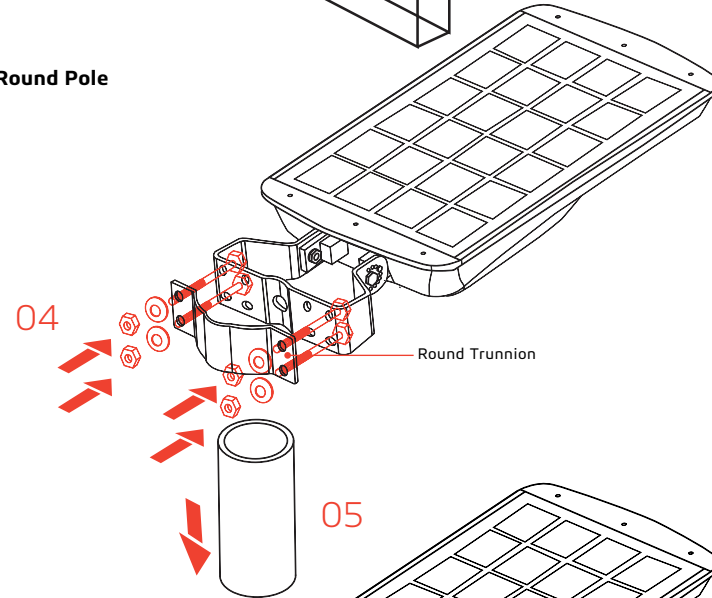
Trunnion Mount



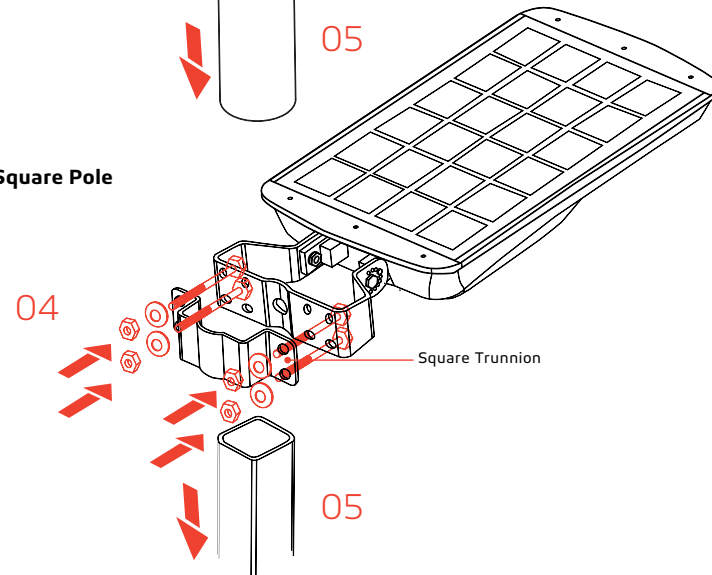
A. On Wall



B. On Round Pole

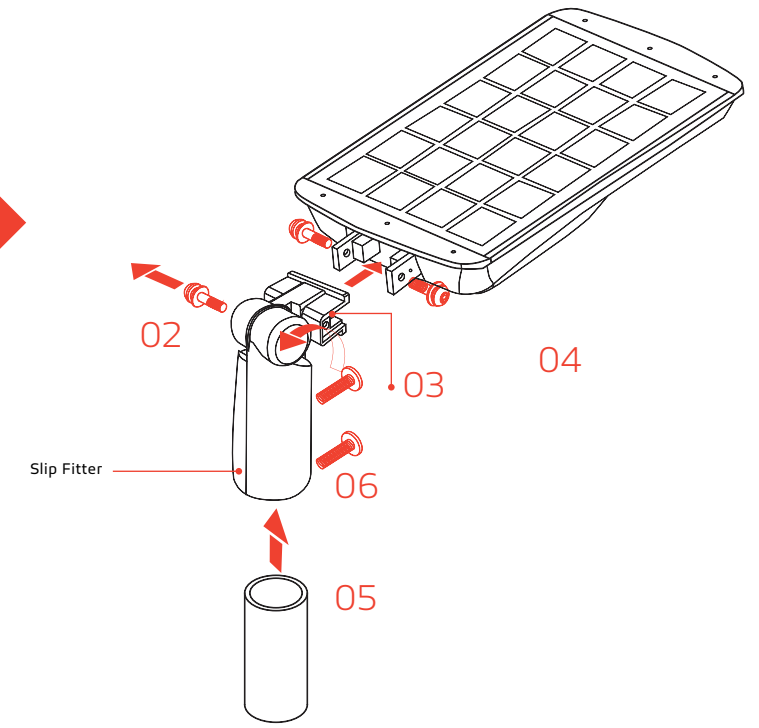
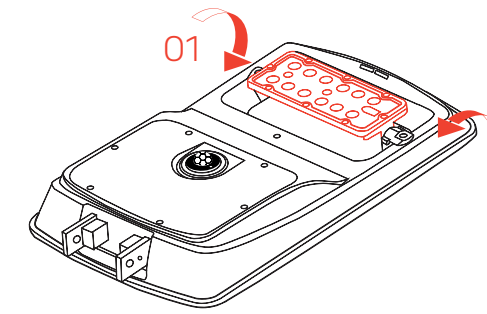


C. On Square Pole



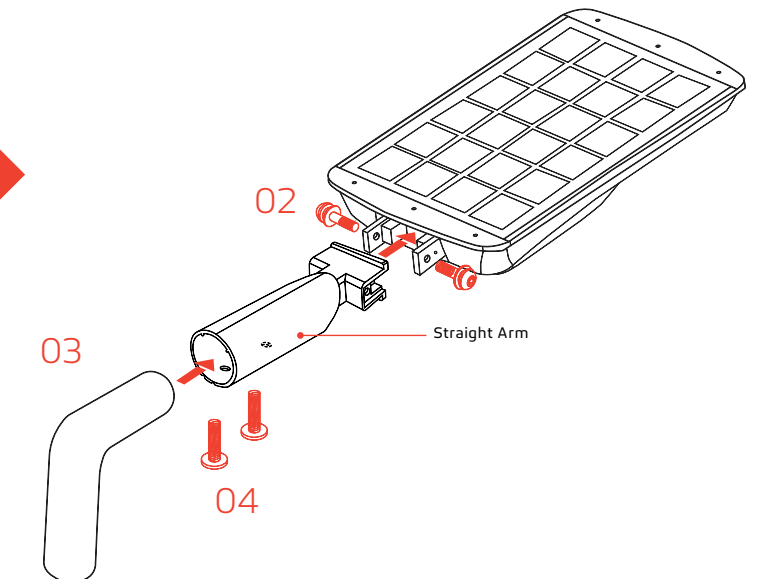
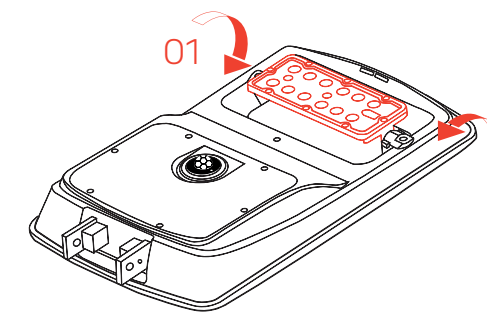
CATALOG	PROJECT	COMMENTS

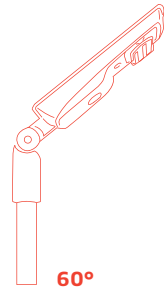
Slip Fitter and Straight Arm



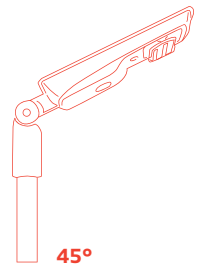
D. On Round Tapered Pole—Slip Fitter

E. On Round Tapered Pole—Straight Arm

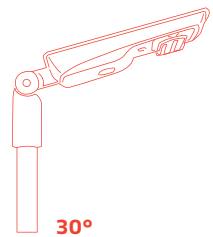




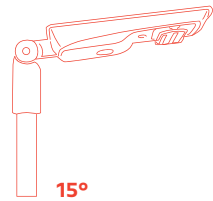
60°



45°



30°



15°



SUNLIKE PRO 30W

The solar charge in a battery pack won't last forever. The off-grid system relies on stored solar energy for autonomy. Angling your solar panels properly can boost the power intake of your solar lighting system. You want to angle your solar panels at a tilt based on the area's latitude.

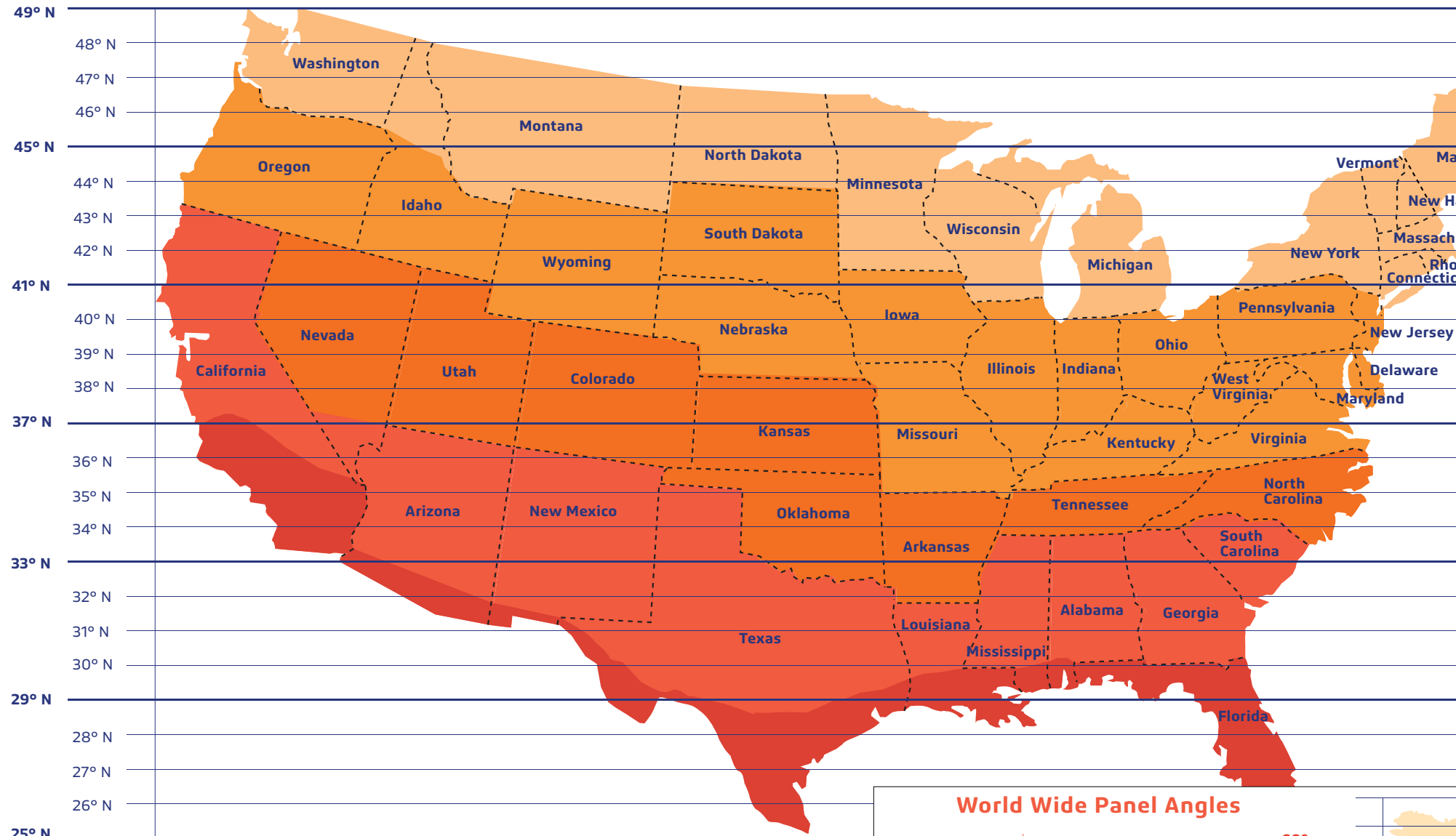
Tip

You can increase the tilt 15° in the winter or decrease 15° in the summer. In this way you can get the maximum sunlight to recharge the battery.

CATALOG	PROJECT	COMMENTS



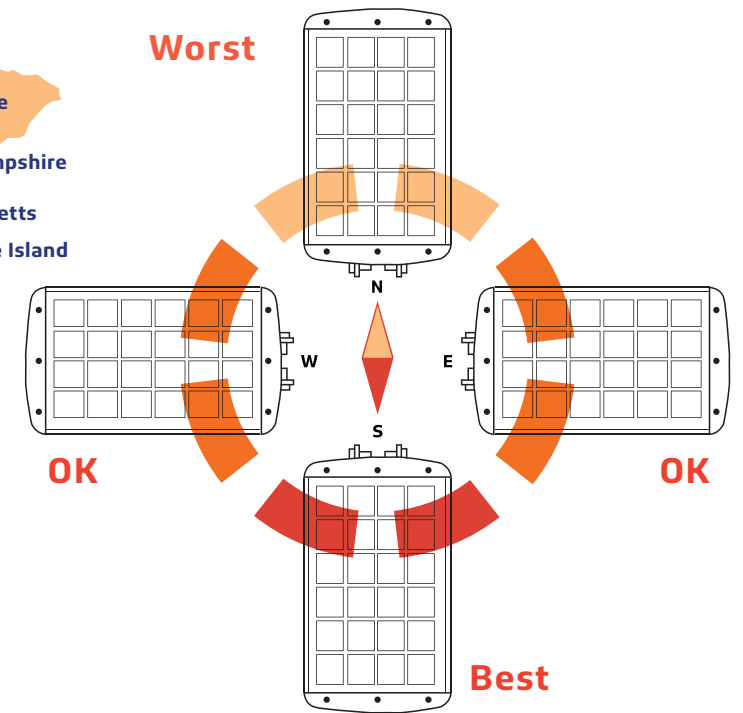
Alaska



Key

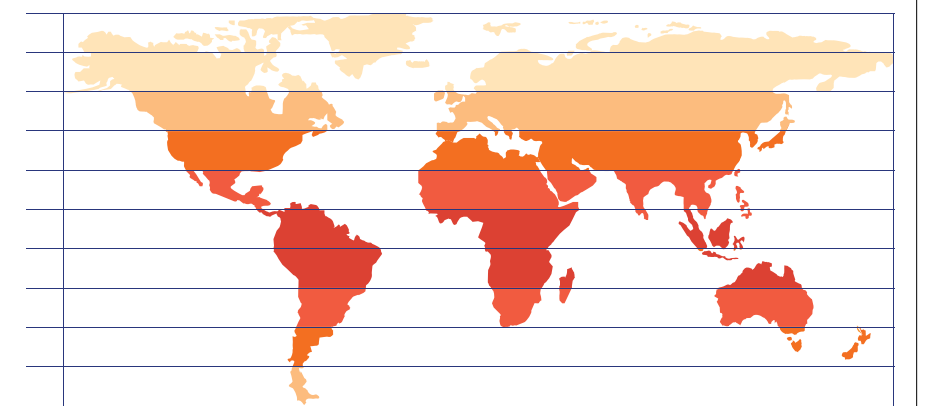
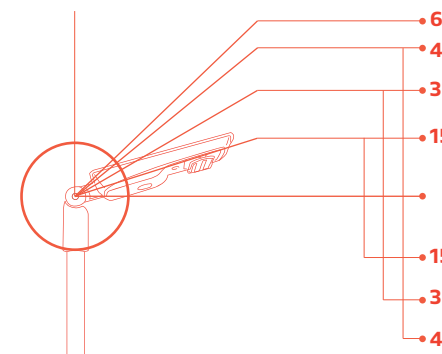


Best Facing Direction of Solar Panel



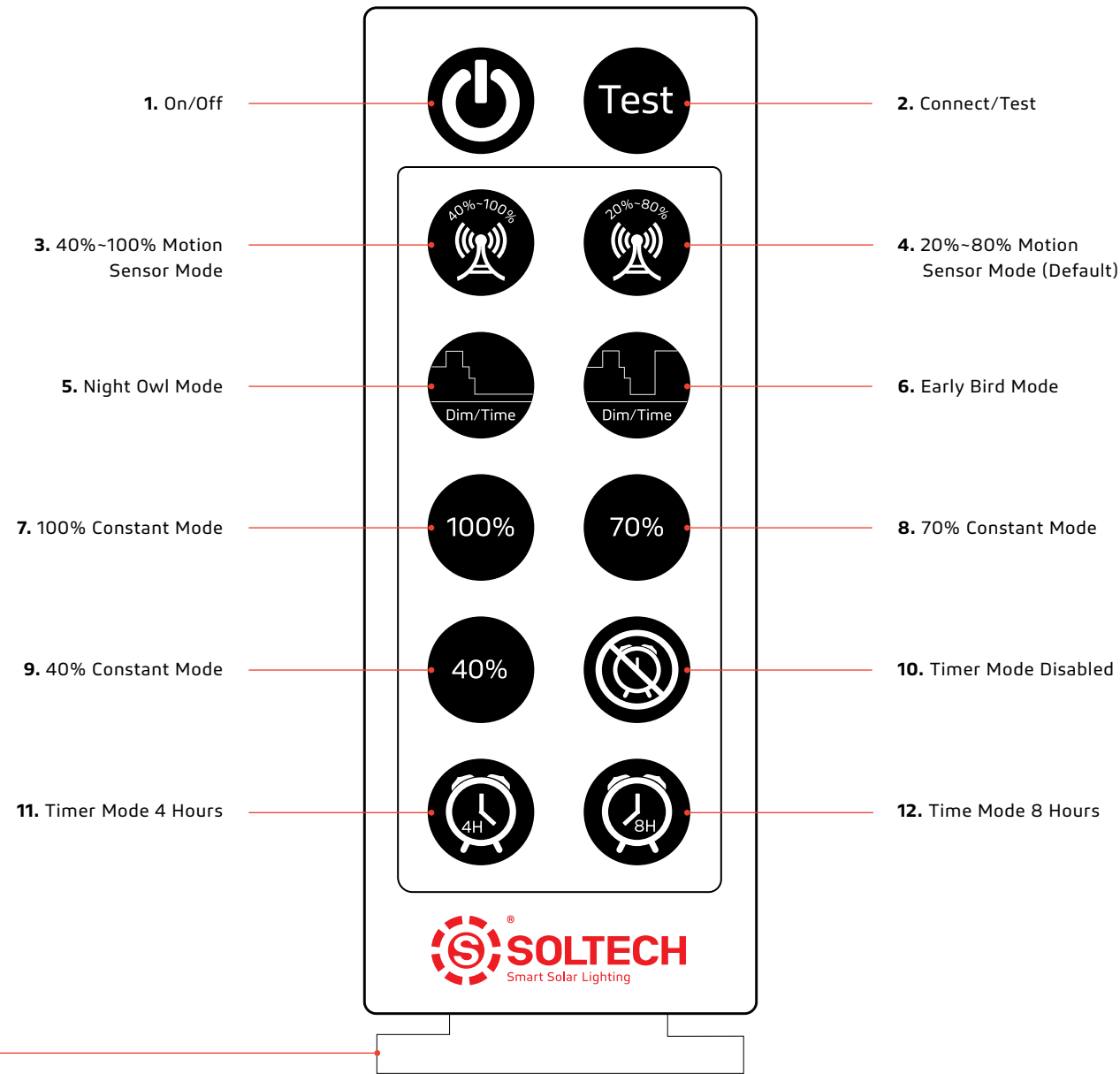
The area will dictate the installation of the fixtures and will sometimes prevent the lights from facing south. But that's okay! Panels facing West & East won't get as much light as Southern facing panels, but will still collect a good amount of sunlight. A North facing panel also works, but it will take longer to charge than any other direction. This would mean that the solar charge will be less optimal if installations are facing North.

World Wide Panel Angles

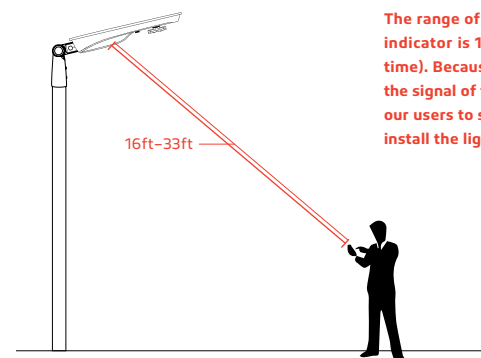


CATALOG	PROJECT	COMMENTS
PREPARED BY		
DATE		

REMOTE CONTROLS



When using the remote for the first time, please remove the plastic piece at the bottom to make the remote turn on.



The range of the remote control to the indicator is 16ft (Day time) to 33ft (Night time). Because the sunlight will impact the signal of the remote control, we suggest our users to setup the mode before they install the light.

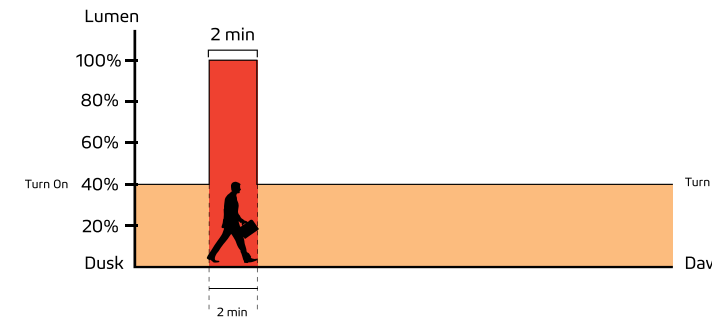


- 1. On/Off**
When off is selected, the light will stop working. The solar panel will not charge the battery and the battery will not supply electricity to the light.
- 2. Connect/Test**
Remote control device can be connected with any lighting fixture. When all cables are connected and solar panel detects sunlight, the fixture will automatically turn on. To test, press the "Test" button once, the LED light will turn on to indicate the fixture has been turned on. During the day time, the indicator will slowly flashing red. That means the battery is charging.

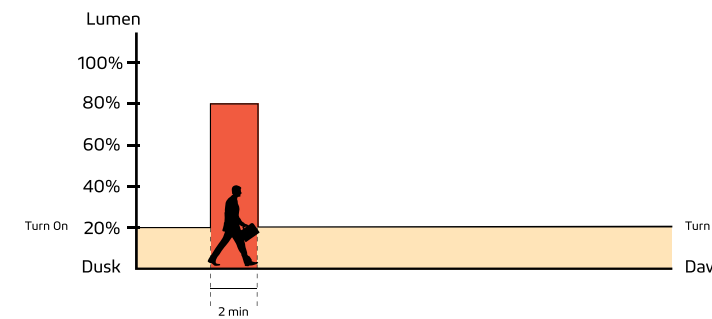
CATALOG	PROJECT	COMMENTS
PREPARED BY		
DATE		

REMOTE CONTROLS

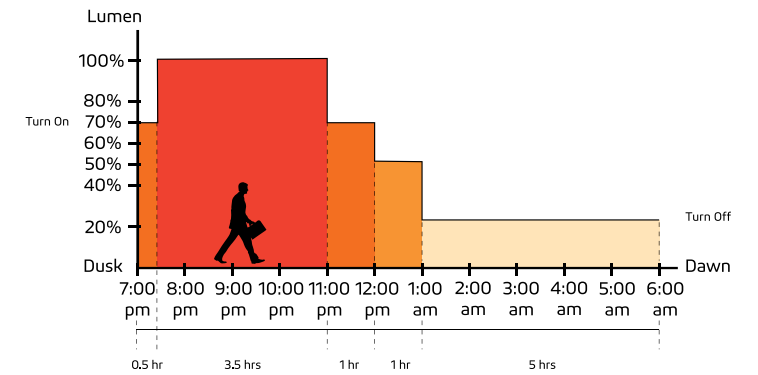
- 3. 40%-100% Motion Sensor Mode**
Constant 40% brightness (turns on at dusk, turns off at dawn); 100% brightness turns on for 2 minutes when motion is detected.



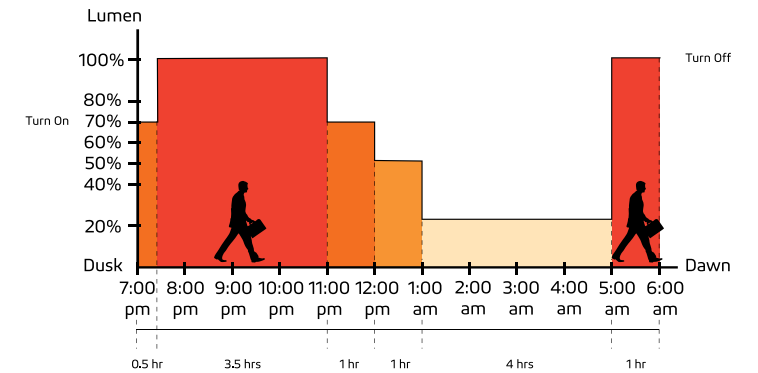
- 4. 20%-80% Motion Sensor Mode (Default)**
Constant 20% brightness (turns on at dusk, turns off at dawn); 80% brightness turns on for 2 minutes when motion is detected.



- 5. Night Owl Mode**
Changes as natural light decreases/increases (turns on at dusk); 70% brightness for 0.5 hour, 100% brightness for 3.5 hours, 70% brightness for 1 hour, 50% brightness for 1 hour, 20% brightness for 5 hours (turns off at Dawn).



- 6. Early Bird Mode**
Changes as natural light decreases/increases with increased brightness near dawn for early risers (turns on at dusk); 70% brightness for 0.5 hour, 100% brightness for 3.5 hours, 70% brightness for 1 hour, 50% brightness for 1 hour, 20% brightness for 4 hours, 100% brightness for 1 hour (turns off at Dawn).

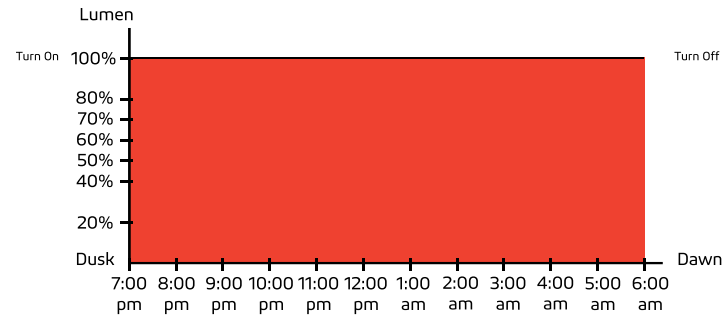


Important
Dusk and dawn time may be different in other locations and seasons. The sensors of our products will follow the light patterns of where it is installed. The time period shown in the chart above is just an example to help you understand the different lighting modes only.

REMOTE CONTROLS

7. 100% Constant Mode

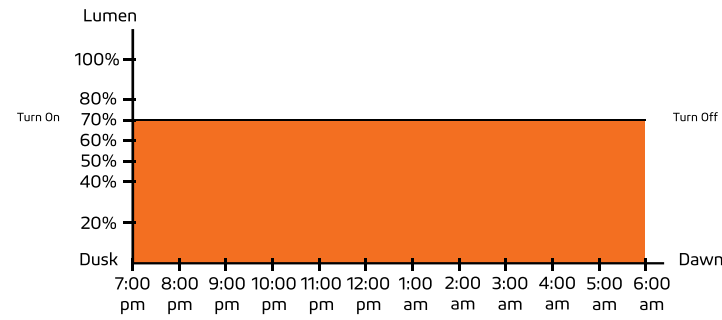
100% brightness from dusk to dawn.



CATALOG	PROJECT	COMMENTS

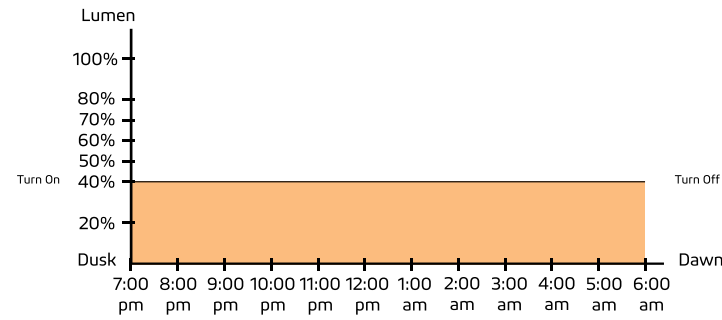
8. 70% Constant Mode

70% brightness from dusk to dawn.



9. 40% Constant Mode

40% brightness from dusk to dawn.



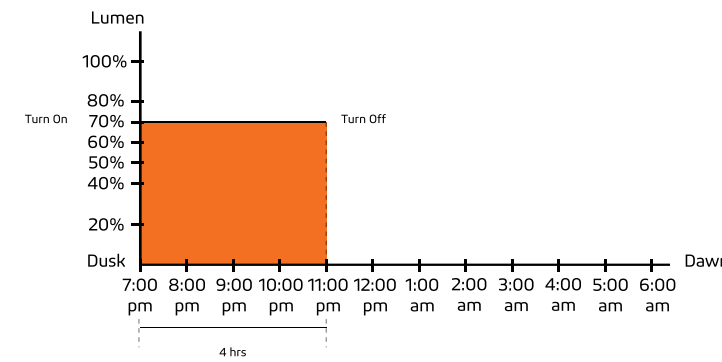
10. Timer Mode Disabled

Press this button to turn off Timer Mode; settings revert back to before Timer Mode was last activated.

REMOTE CONTROLS

11. Timer Mode 4 Hours

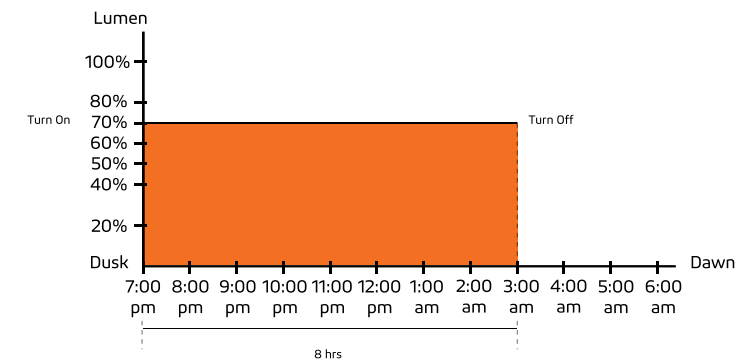
This is an additional mode which can work with any other modes. For example: press this button at any time after you turn on 70% Constant Mode. If the light turns on at 7pm at dusk, it will turn off at 11pm. It will repeat the same schedule hereafter until it is canceled by pressing Timer Mode Disabled.



CATALOG	PROJECT	COMMENTS

12. Time Mode 8 Hours

This is an additional mode which can work with any other modes. For example: press this button at any time after you turn on 70% Constant Mode. If the light turns on at 7pm at dusk, it will turn off at 3am. It will repeat the same schedule hereafter until it is canceled by pressing Timer Mode Disabled.



Important

Dusk and dawn time can vary for different locations and seasons. The sensors in our products will monitor the light levels where it is installed. The time period shown in the chart above is just an example to help you understand the different lighting modes.



CATALOG		COMMENTS
PROJECT		
PREPARED BY		
DATE		

WARRANTY

SUNLIKE PRO products are covered by a 5 year limited warranty. SOLTECH urban light warrants to the original purchaser that this product is free from defects in materials and workmanship for the period of 5 years from date of purchase. To obtain warranty service please contact your local distributor or sales rep for further instruction.



1460 Park Avenue.
Emeryville, CA 94608 USA

www.soltechlighting.com

SOLTECH LLC reserves the right to update all product data sheets at any time. Consult SOLTECH marketing specialists for publication updates at hello@soltechlighting.com

Copyright©2022-2023 SOLTECH LLC,
All Rights Reserved.