



SOLPORT 7W 15W

CATALOG		COMMENTS
PROJECT		
PREPARED BY		
DATE		

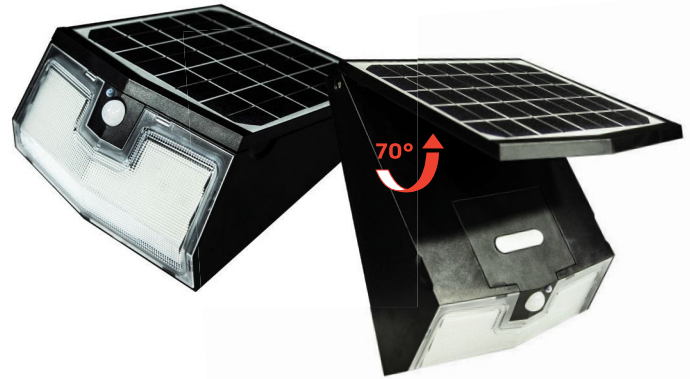
APPLICATIONS

The SOLPORT is a solar-powered wall pack that can be easily installed onto nearly any surface using its mounting plate. With its integrated design, the SOLPORT is lower cost than traditional wall packs because there are no wiring costs nor electricity costs when installing or using this fixture. With the sensor, the light can be programmed in a multitude of ways using the remote control.

DESCRIPTION

SOLPORT features an integrated design, with the solar panel and battery built into the LED fixture. There is no need to connect SOLPORT to line voltage, which eliminates the need for trenching, wiring, and electricity costs. It is ideal to light up outdoor wall mount applications in parking garages, entrances, public areas, schools, hospitals, hotels and outdoor walk ways that demand long service life and low maintenance. The fixtures have 3 operating modes that are programmable via remote control or on fixture. SOLPORT will bring security and sustainability with no electric bill and low maintenance costs.

CERTIFICATION DATA



ORDERING INFORMATION

SERIES	WATTAGE	COLOR TEMPERATURE	MOUNTING OPTIONS	FINISH
STL-SWL=SOLPORT	7=7W 700 Lumens 15=15W 1,500 Lumens	4=4000K 5=5000K	WM=WALL MOUNT	BK=BLACK

- - - -

SPECIFICATION FEATURES



Adjustable LED Module Design

- The hinged LED module with solar panel is adjustable to aim light at a target
- The solar panel blocks most glare for observer eye comfort
- Easy anti-theft installation



Integrated Design

- The easiest way to bring lighting to walls on any commercial building
- Integrates the solar panel, battery, sensor, and light fixture into one small form factor



Longer Life

- Advanced new Li-ion battery lasts 500 charging-discharging cycles
- 3 operating modes that are programmable via remote control or on fixture
- Long life battery lasts 3 nights with a one-day charge

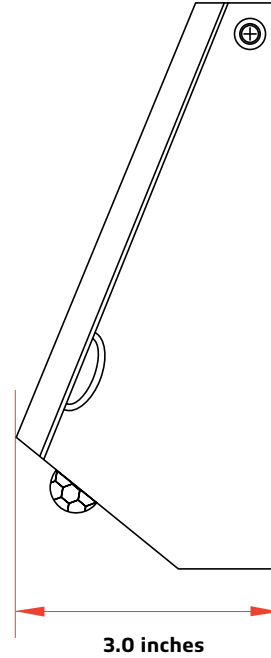
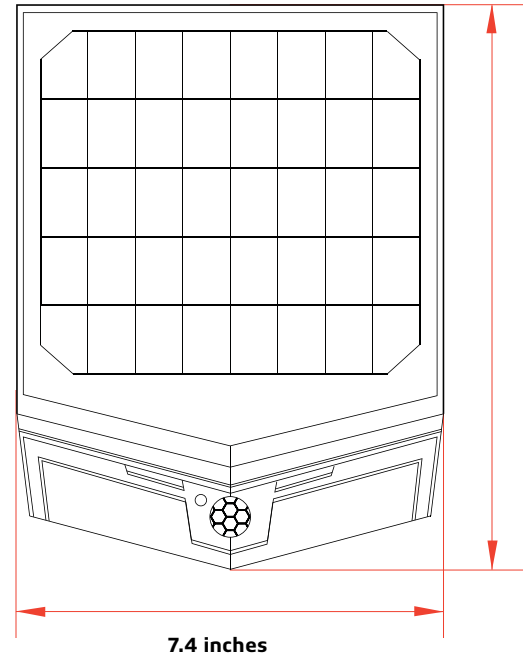


Maximizes Solar Energy

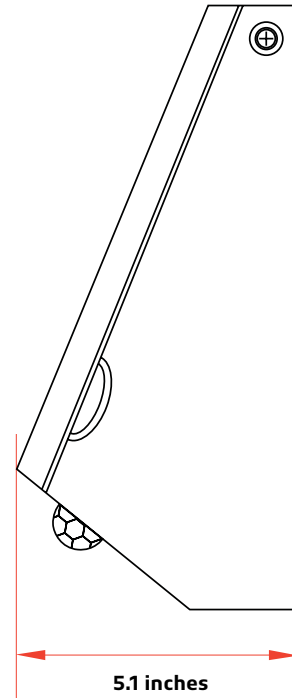
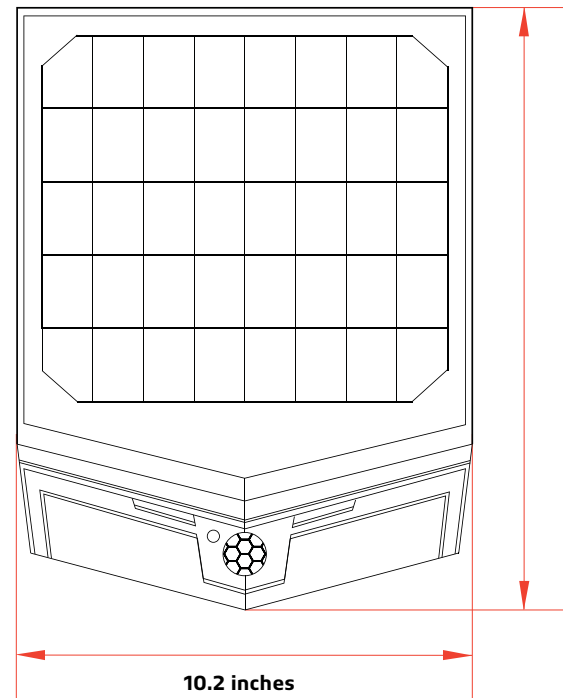
- Adjust solar panel angle to maximize sunligh & allow snow to slide off

PRODUCT SIZE

SOLPORT 7W



SOLPORT 15W



CATALOG	PROJECT	COMMENTS

SPECIFICATIONS

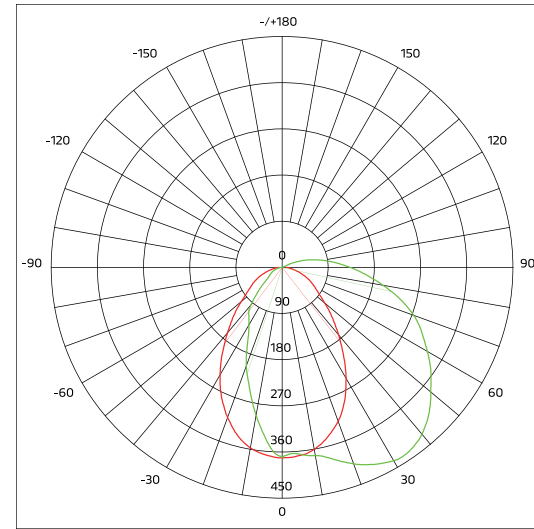
	7W	15W
LED Nominal Power	7W	15W
Solar Panel	Mono-crystalline 3.7V	Mono-crystalline 10V
Lithium Ion Battery	20WH 3.7V 5.4AH	40WH 7.4V 5.4AH
CCT	4,000K & 5,000K	4,000K & 5,000K
Lumen Output@4000K	700	1,500
CRI	> 70	> 70
Product Size	7.4 X 9.1 X 3.9 Inches	10.2 X 12.2 X 5.1 Inches
Beam Angle	80° X 100°	80° X 100°
Waterproof Rate	IP65	IP65
Casting	PC & Aluminum	PC & Aluminum
Efficiency@4000K	100 lm/W	100 lm/W
* Charging Time	7 Hours (1000W/m2)	7 Hours (1000W/m2)
Run Time (@Full Power)	2-3 Days	2-3 Days
Operation Mode	3 Operating Modes	3 Operating Modes
PIR Sensor Angle / Distance	120° / 16-26 ft	120° / 16-26 ft
* Operating Temperature	0°C/32°F to 149°F	0°C/32°F to 149°F
* Charging Temperature	-20.5°C/-5°F to 113°F	-20.5°C/-5°F to 113°F

* The temperature can impact the battery's charging and normal operation.

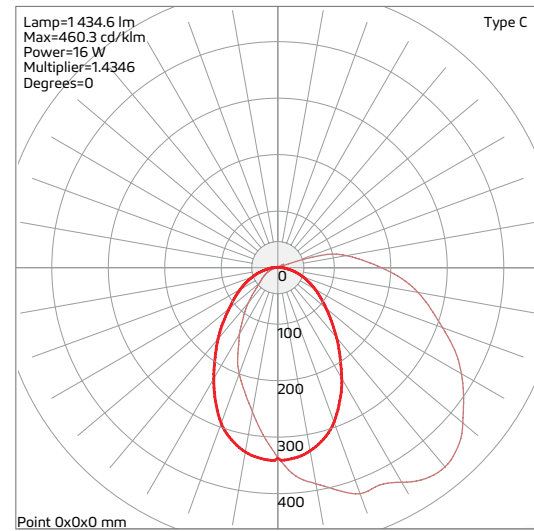
* The solar charge time data is base on 77 degree F ambient temperature with the panel pointed directly at the solar radiation. The standard radiation value is 1000W/m².

SOLPORT 7W 15W

IES / BEAM



SOLPORT 7W

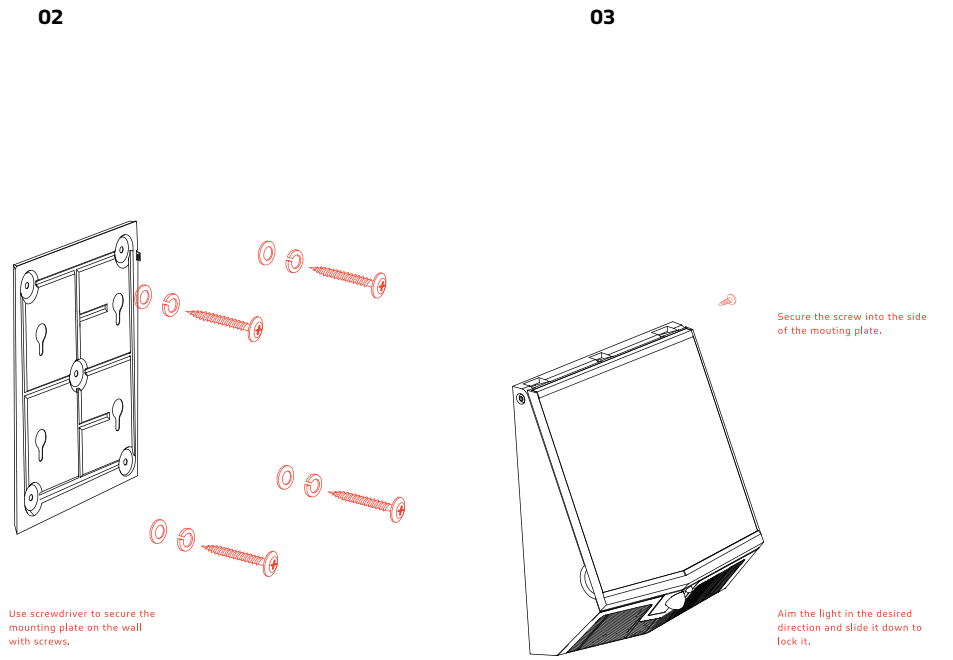
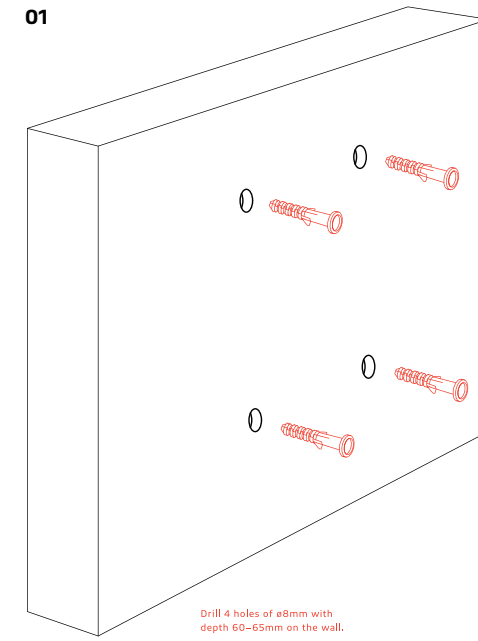


SOLPORT 15W

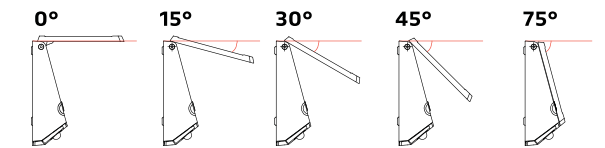
CATALOG		COMMENTS
PROJECT		
PREPARED BY		
DATE		

SOLPORT 7W 15W

WALL MOUNT



PANEL ANGLE



CATALOG		COMMENTS
PROJECT		
PREPARED BY		
DATE		

OPERATING MODES



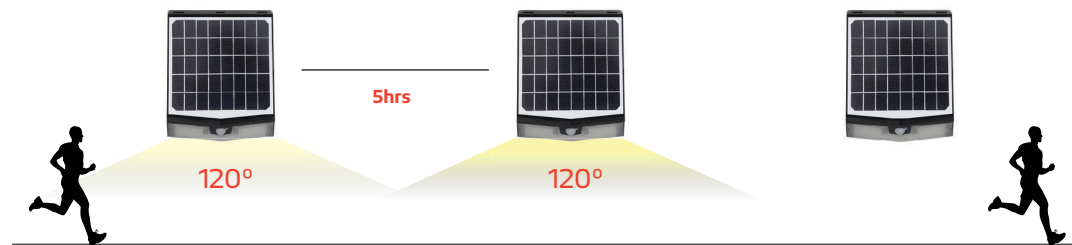
1. On / Off

On / Off With memory of previous mode before shut off.



2. Constant Lighting Mode

The light will automatically turn on at dusk and remain at 50% brightness when the motion sensor is disabled. After 5 hours or when the battery capacity is below 30%, the light will switch to Mode 4.



CATALOG		COMMENTS
PROJECT		
PREPARED BY		
DATE		



3. Full Bright & Dim

The light will automatically turn on to full brightness when motion is detected within a range of 24 ft. It will turn off after 20 seconds when there is no motion detected. The bottom portion of the light will turn on automatically when the upper light turns off and will then turn off once motion is detected.



4. Full Bright & Off

The light will turn on to full brightness when motion is detected within a range of 24 ft. Once no motion is detected for 20 seconds, the light will turn off. The bottom portion of the light will not turn on in this mode.





SOLPORT 7W 15W

CATALOG		COMMENTS
PROJECT		
PREPARED BY		
DATE		

WARRANTY

SOLPORT products are covered by a 3 year limited warranty. SOLTECH urban light warrants to the original purchaser that this product is free from defects in materials and workmanship for the period of 3 years from date of purchase. To obtain warranty service please contact your local distributor or sales rep for further instruction.



1460 Park Avenue.
Emeryville, CA 94608 USA

www.soltechlighting.com

SOLTECH LLC reserves the right to update all product data sheets at any time. Consult SOLTECH marketing specialists for publication updates at hello@soltechlighting.com

Copyright©2022-2023 SOLTECH LLC,
All Rights Reserved.