



BEACON

Solar Powered LED Traffic Sign Light
12" 6W (Single-head)
12" 12W (Dual-heads)
8" 3.6W (Single-head)
8" 7.2W (Dual-heads)

SOLTECH Designs and Manufactures
Advanced, Solar-Powered
LED Technology.



01 Introduction

Thank you for purchasing BEACON Solar Powered LED Traffic Sign Light.

Important

Please read these instructions before installation to ensure optimum results and longevity of your lights. The solar panel should be charged in full sunlight for 8 to 9 hours before initial first use to provide optimum results.

Features

This solar-powered flashing traffic sign light, BEACON, will give advance warning to drivers on the road or in shopping centers with its bright flashing LED light. It is ideal for warning applications, and low visibility areas where dangerous conditions or obstructions exist. It can additionally be used to enhance the visibility of unlit roadway caution or stop signs, railroad crossings, and bridge abutments. BEACON features

a removable solar panel capable of rotation to adjust to the sun's angle. It is powered entirely by the solar panel and battery, with no AC power required.

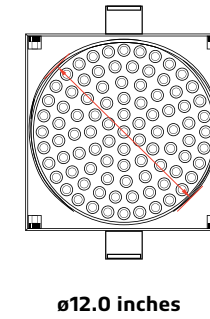
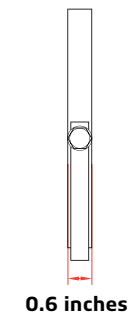
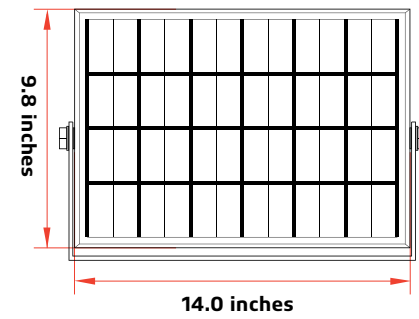
Notice & Warning

1. The BEACON will provide optimal performance where there is enough sunshine.
2. Please note the lighting run time depends on sunshine duration and weather.
3. Do not disassemble the light fixture.
4. Do not dispose of the battery as garbage to avoid explosion.

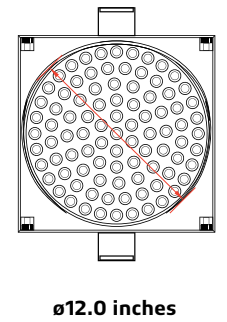
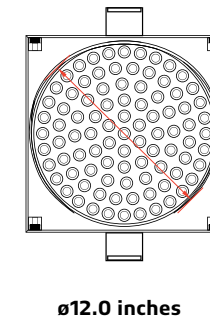
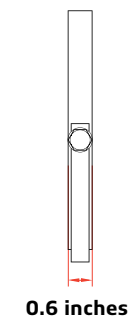
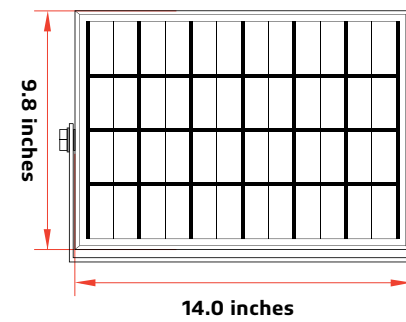
Please Note

During continuous rainy or cloudy days, run time may be reduced as the battery will not be fully charged.

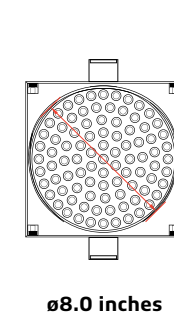
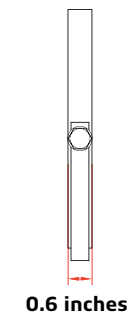
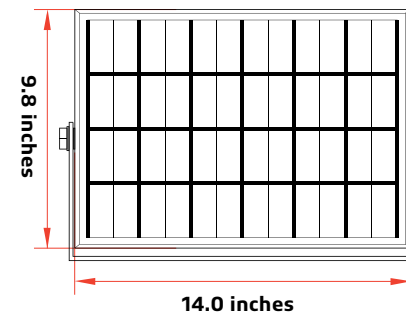
BEACON
12" Single-Head



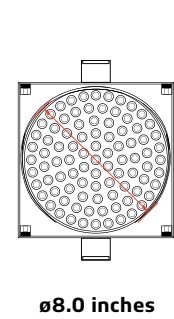
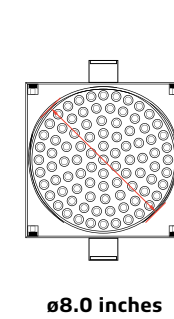
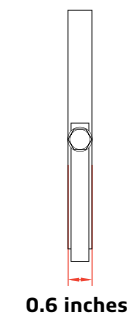
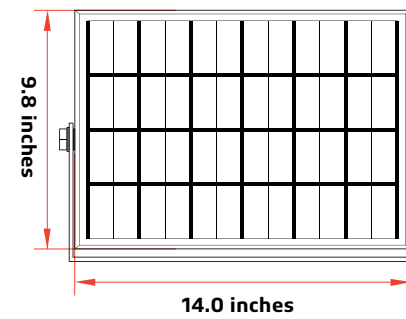
BEACON
12" Dual-Heads



BEACON
8" Single-Head

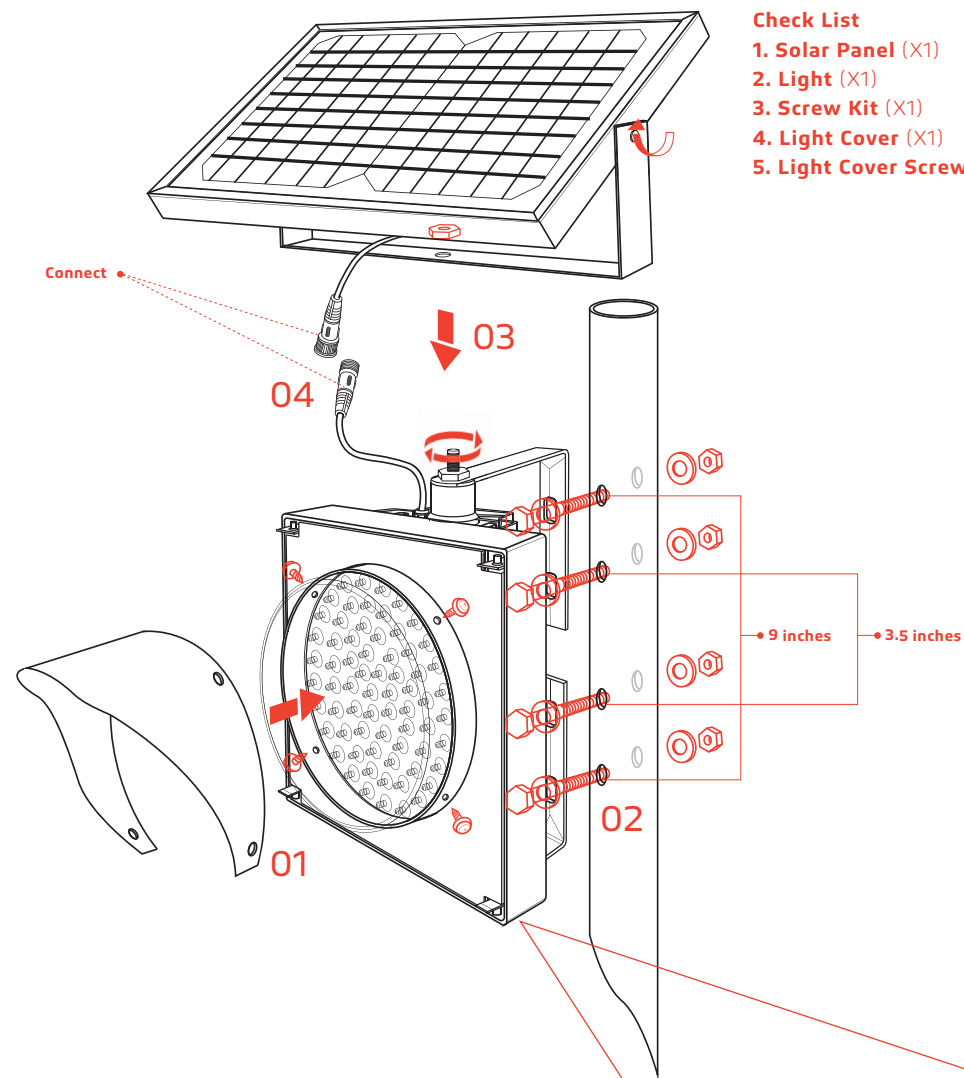


BEACON
8" Dual-Heads



02 Installation

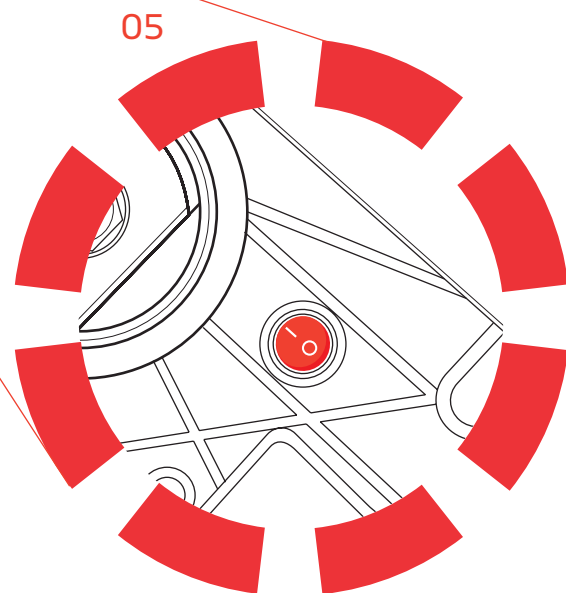
8" and 12" Single-head



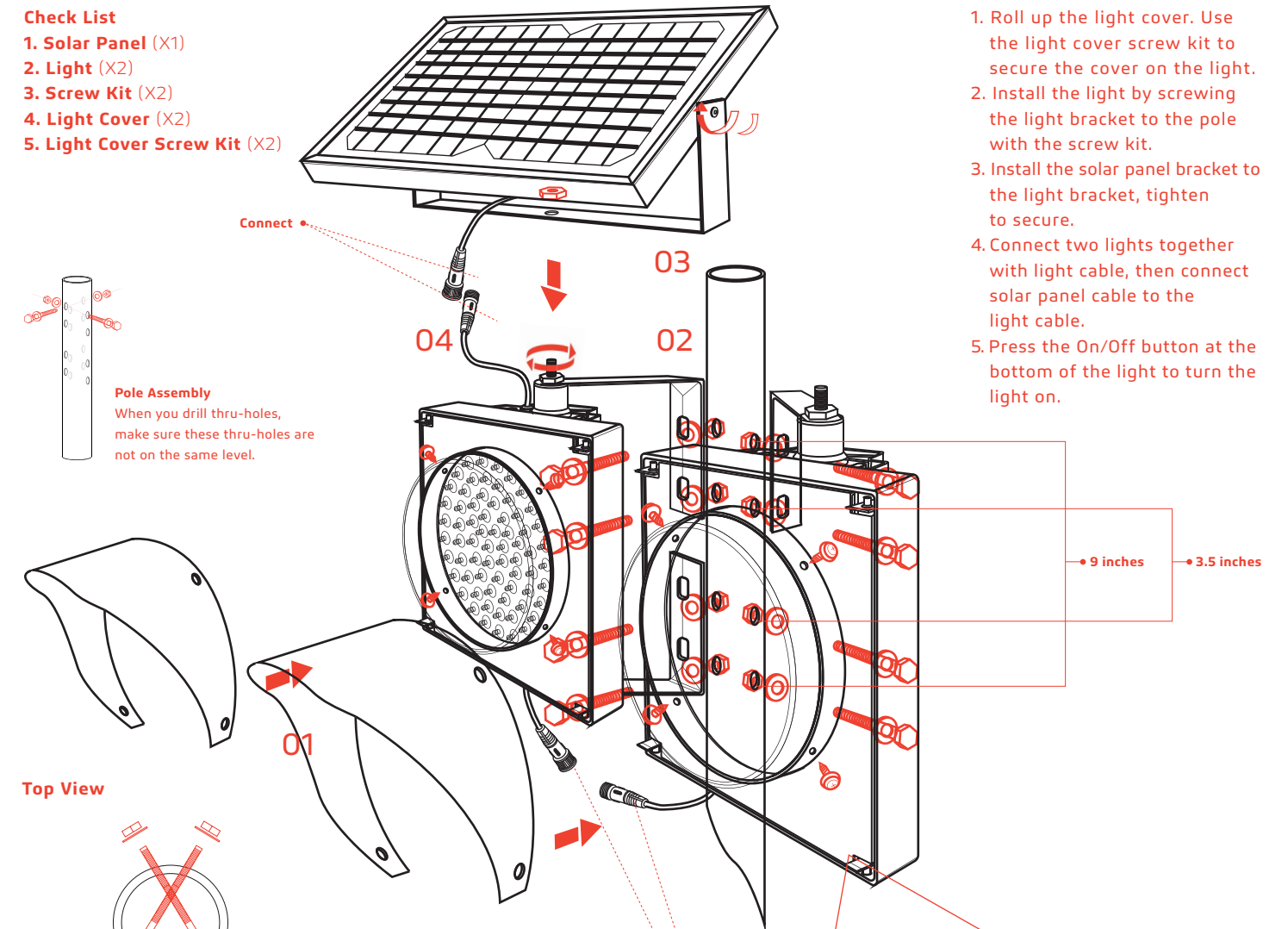
- Check List**
- 1. Solar Panel (X1)
 - 2. Light (X1)
 - 3. Screw Kit (X1)
 - 4. Light Cover (X1)
 - 5. Light Cover Screw Kit (X1)

1. Roll up the light cover. Use the light cover screw kit to secure the cover on the light.
2. Install the light by screwing the light bracket to the pole with the screw kit.
3. Install the solar panel bracket to the light bracket, tighten to secure.
4. Connect the solar panel cable to the light cable.
5. Press the On/Off button at the bottom of the light to turn the light on.

Press the On/Off button at the bottom of the light to turn the light on.



8" and 12" Dual-heads

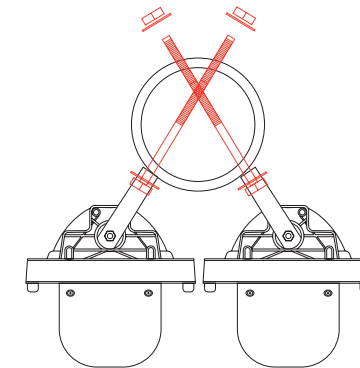


- Check List**
- 1. Solar Panel (X1)
 - 2. Light (X2)
 - 3. Screw Kit (X2)
 - 4. Light Cover (X2)
 - 5. Light Cover Screw Kit (X2)

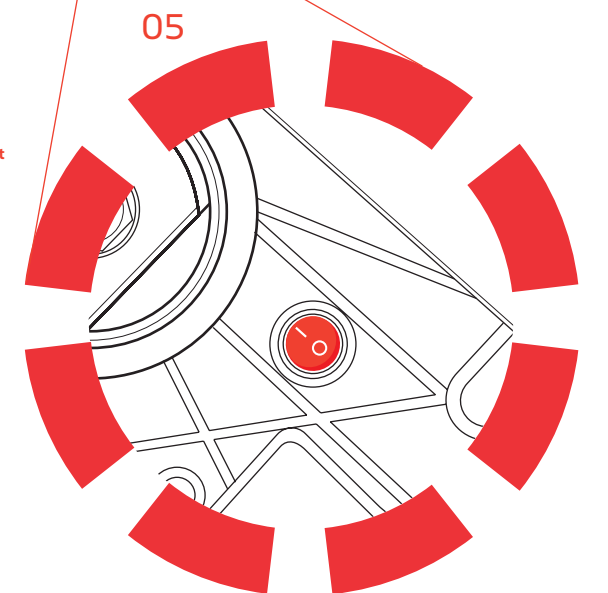
1. Roll up the light cover. Use the light cover screw kit to secure the cover on the light.
2. Install the light by screwing the light bracket to the pole with the screw kit.
3. Install the solar panel bracket to the light bracket, tighten to secure.
4. Connect two lights together with light cable, then connect solar panel cable to the light cable.
5. Press the On/Off button at the bottom of the light to turn the light on.

Pole Assembly
When you drill thru-holes, make sure these thru-holes are not on the same level.

Top View



Press the On/Off button at the bottom of the light to turn the light on.



03 Specification

Specifications	BEACON 12" Single-head	BEACON 12" Dual-heads	BEACON 8" Single-heads	BEACON 8" Dual-heads
LED Nominal Power	6W	12W	3.6W	7.2W
Solar Panel	Mono-Crystalline 18V 10W	Mono-Crystalline 18V 12W	Mono-Crystalline 18V 10W	Mono-Crystalline 18V 10W
Lithium Ion Battery	12V 8.8Ah	12V 8.8Ah	12V 8.8Ah	12V 8.8Ah
Light Color	Yellow/Red	Yellow/Red	Yellow/Red	Yellow/Red
Illuminance	8,000 mcd (Red) 7,000 mcd (Yellow)	8,000 mcd (Red) 7,000 mcd (Yellow)	8,000 mcd (Red) 7,000 mcd (Yellow)	8,000 mcd (Red) 7,000 mcd (Yellow)
Product Size	Light Head ø12.0 Inches Solar Panel 14.0 X 9.8 X 0.6 Inches	Light Head ø12.0 Inches Solar Panel 14.0 X 9.8 X 0.6 Inches	Light Head ø8.0 Inches Solar Panel 14.0 X 9.8 X 0.6 Inches	Light Head ø8.0 Inches Solar Panel 14.0 X 9.8 X 0.6 Inches
Beam Angle	30°	30°	30°	30°
IP Rating	IP65	IP65	IP65	IP65
Material	UV-Resistant Polycarbonate	UV-Resistant Polycarbonate	UV-Resistant Polycarbonate	UV-Resistant Polycarbonate
* Charging Time	9hrs (1000W/m ²)	9hrs (1000W/m ²)	9hrs (1000W/m ²)	9hrs (1000W/m ²)
Run Time (@Full Charge)	5-7 Days	5-7 Days	5-7 Days	5-7 Days
Working Mode	24/7 12/7	24/7 12/7	24/7 12/7	24/7 12/7
Standard Hardware	Fits 3" to 4" Diameter Poles	Fits 3" to 4" Diameter Poles	Fits 3" to 4" Diameter Poles	Fits 3" to 4" Diameter Poles
Flashing	50 times per minute (customization available on request)	50 times per minute (customization available on request)	50 times per minute (customization available on request)	50 times per minute (customization available on request)
Visible Distance	>2,500 feet	>2,500 feet	>2,500 feet	>2,500 feet
* Operating Temperature	-4 °F to 140 °F	-4 °F to 140 °F	-4 °F to 140 °F	-4 °F to 140 °F
* Charging Temperature	23 °F to 140 °F	23 °F to 140 °F	23 °F to 140 °F	23 °F to 140 °F

* The temperature can impact the battery's charge and daily operation.

* The solar charge data is base on 77 degree F ambient temperature with the panel facing direct solar radiation. The standard radiation value is 1000W/m².

04 Ordering Information Chart

SERIES	LIGHT HEAD	COLOR	WORKING MODE	OPERATION MODE (For Dual-Head Only)
STL-BCN=BEACON	S8D=8" Single-head S12D=12" Single-head D8D=8" Dual-heads D12D=12" Dual-heads	YL=Yellow RD=Red	24=24Hours & 7Days 12=12Hours & 7Days	S=Synchronous A=Asynchronous

- - - -

06 Warranty

BEACON is covered by a 3 year limited warranty. SOLTECH urban light warrants to the original purchaser that this product is free from defects in materials and workmanship for the period of 3 years from date of purchase. To obtain warranty service please contact your local distributor or sales rep for further instruction.

**SOLTECH Designs
and Manufactures
Advanced,
Solar-Powered
LED Technology.**



1460 Park Avenue.
Emeryville, CA 94608 USA
www.soltechlighting.com

SOLTECH LLC reserves the right to update all product data sheets at any time. Consult SOLTECH marketing specialists for publication updates at hello@soltechlighting.com

*Copyright©2022-2023 SOLTECH LLC,
All Rights Reserved.*