



SOLTAB

Flood Lights
10W

Installation Manual

SOLTECH Provides Advanced LED
Technology Powered With Eco-friendly,
Clean, Solar Energy.



SOLTECH
Smart Solar Lighting

01 Introduction

Thank you for purchasing SOLTAB Urban Lighting Products.

Important

Please read these instructions before installation to ensure optimum results and longevity of your lights. The solar panel should be charged in full sunlight for 8 to 9 hours before initial first use to provide optimum results.

Features

- Change the operating modes using the silicon rubber on/off button.
- The light can be used separately or connected to the solar panel with the water tight quick connector
- Use outdoor as a flood light or wall pack
- Use indoor as a desk light or emergency light
- Use as a portable work light or camping light
- Use as your power bank with solar recharging and a USB port
- Tempered-glass laminated, reliable and durable for portable usage. Double-sided solar panel achieves a higher conversion efficiency.
- Tools-free rotator enables solar panel angle adjustment or light direction adjustment, with just bare hands
- Clear Indicator of Battery Capacity: 25% 50% 75% 100%. It

quickly shows the battery capacity at any time. Enables better planning for your activities

- Lenses for superior optical control, enhanced lighting efficiency and reduced glare

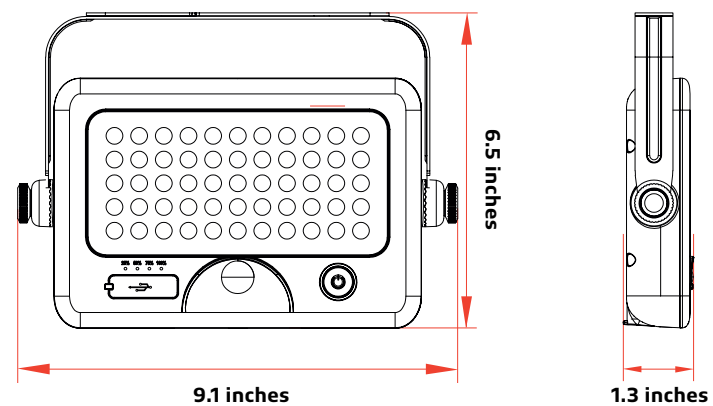
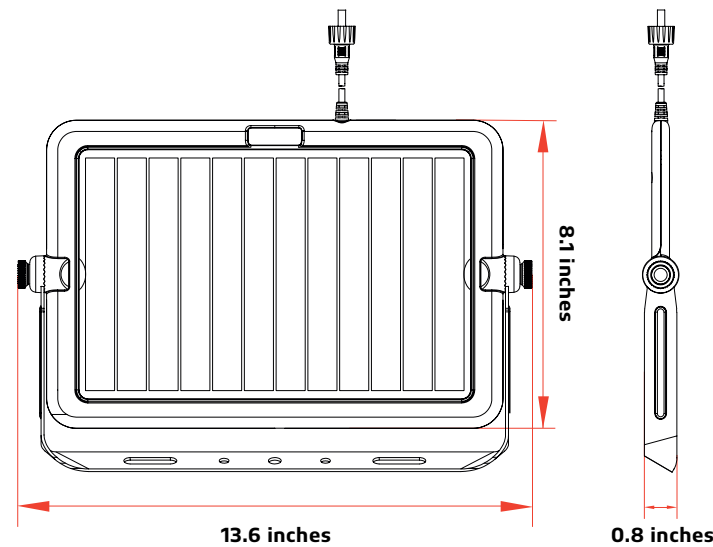
Notice & Warning

1. The SOLTAB will provide optimal usage where there is enough sunshine.
2. Please note the lighting time depends on sunshine duration and weather.
3. The lamp will light up automatically at dusk.
4. Built-in intelligent IC is with over-charge, over-discharge and over-voltage protection.
5. The lamp is equipped with an internal battery pack, which is replaceable. If needed, please contact for correct new battery pack.
6. If the battery is taken out and put back in or replaced with new batteries, please allow the solar panel to receive maximum sunshine to activate the lamp.
7. Non-professionals please do not disassemble the lamp.
8. Please do not dispose the battery with household garbage to avoid explosion.

Please Note

During continuous rainy or cloudy days, run time may be reduced as the battery will not be fully charged.

SOLTAB 10W



02 Specification

Specifications	SOLTAB 10W
LED Nominal Power	10W
Solar Panel	Mono-Crystalline 6V 10W
Lithium Ion Battery	27WH 3.7V 7.2AH
CCT	4,000K & 5,000K
Lumen Output@4000K	1,100
CRI	> 70
Product Size	Solar Panel: 13.6 X 8.1 X 0.8 Inches Light: 9.1 X 6.5 X 1.3 Inches
Beam Angle	90°
Waterproof Rate	IP65
Casting	PC & Aluminum
Efficiency@4000K	100 lm/W
* Charging Time	7hrs (1000W/m ²)
Run Time (@Full Power)	2-3 Days
Operation Mode	4 Operating Modes
PIR Sensor Angle / Distance	90° / 16-26 ft
* Operating Temperature	-5 °F to 113 °F
* Charging Temperature	32 °F to 149°F

* The temperature can impact the battery's charging and normal operation.

* The solar charge time data is base on 77 degree F ambient temperature with the panel pointed directly at the solar radiation. The standard radiation value is 1000W/m².

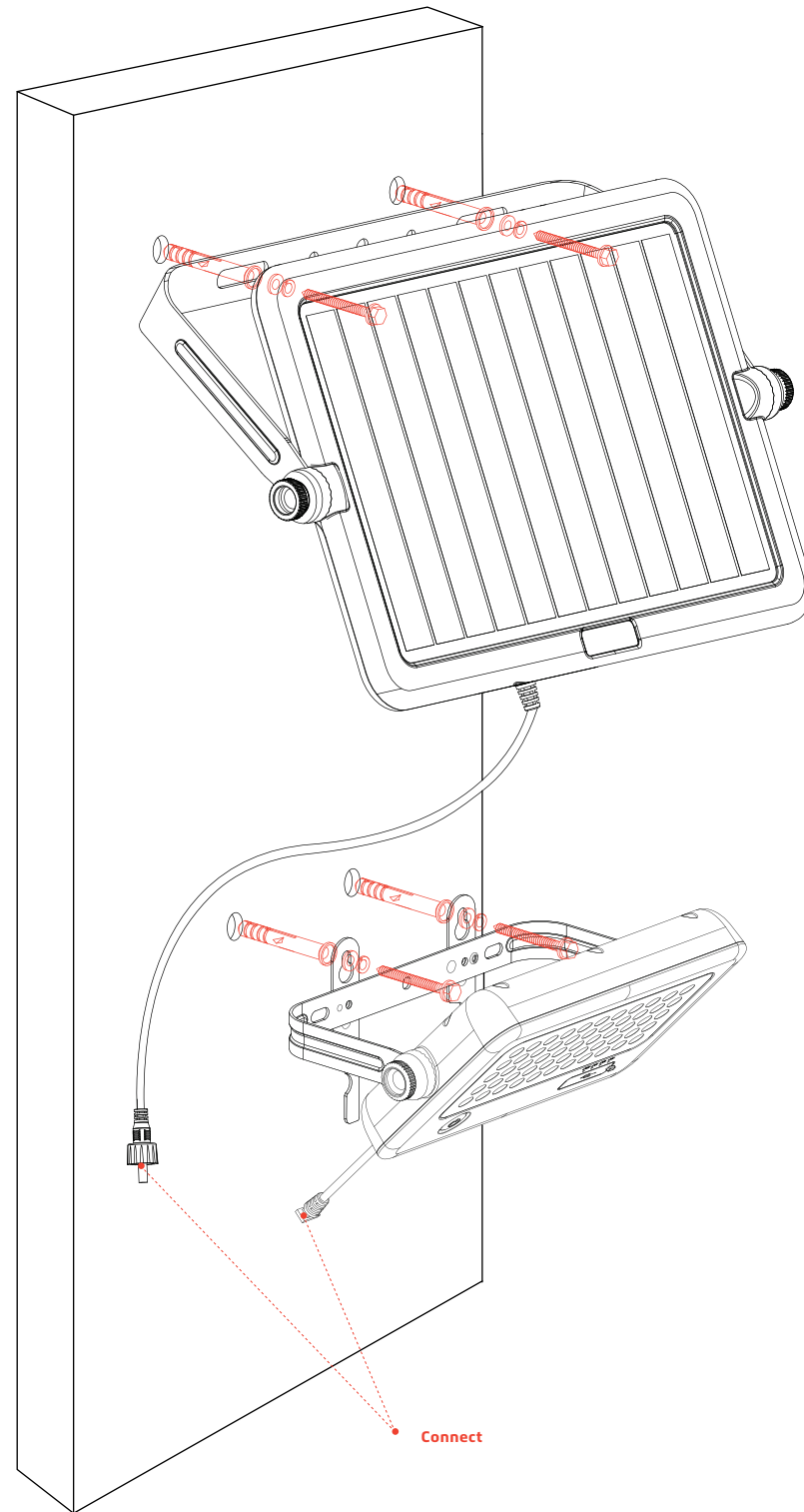
Ordering Information Chart

SERIES	WATTAGE	COLOR TEMPERATURE	MOUNTING OPTIONS	FINISH
STL-TAB=SOLTAB	10=10W 1000 Lumens	4=4000K 5=5000K	WM=Wall Mount	BK=BLACK

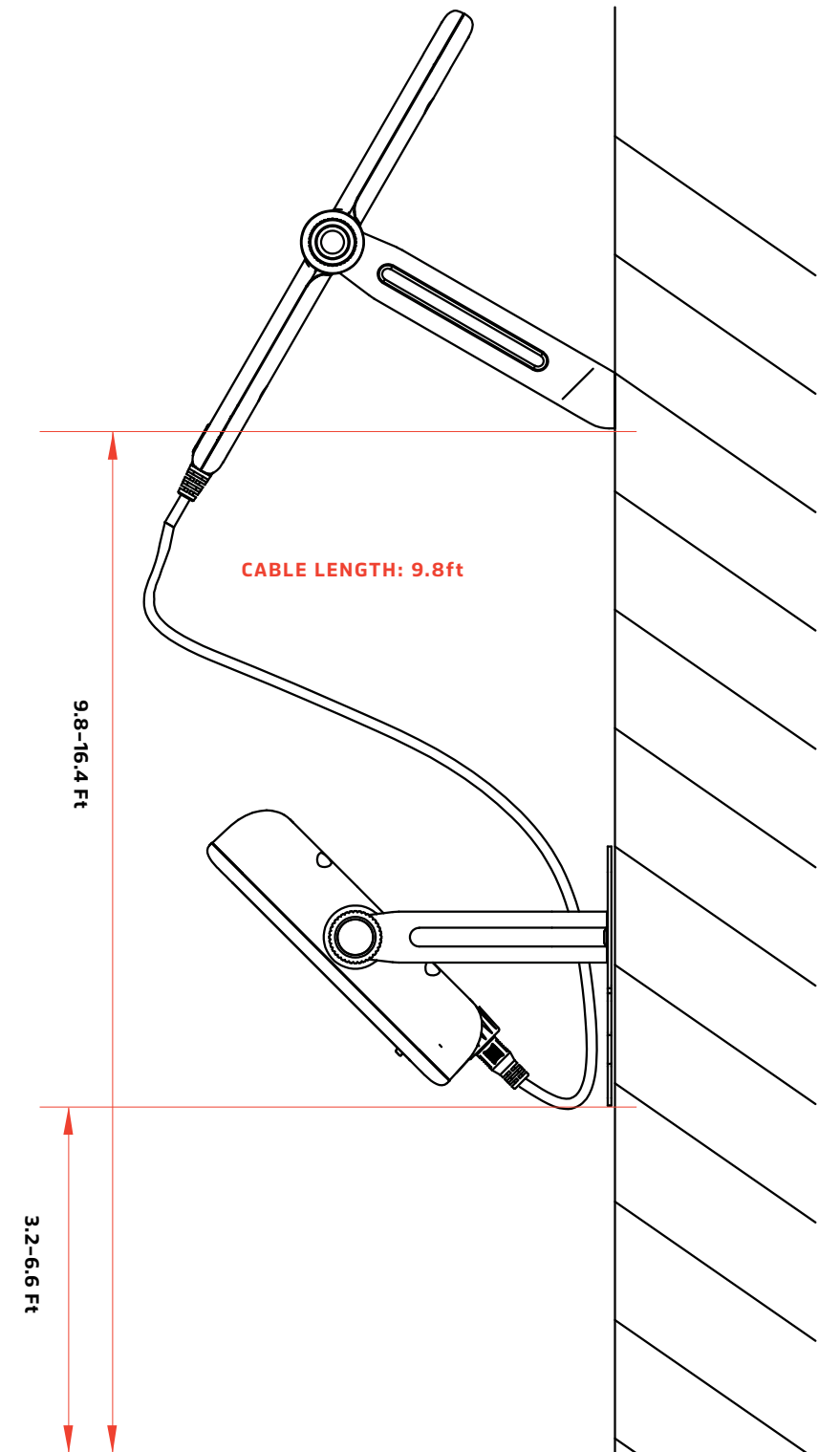
□ - □ - □ - □ - □

03 Installation

WALL MOUNT



1. Take out all of the parts from the package. Confirm the installation location and wire length.
2. Use the card to mark hole positions, then drill 4 holes of 0.3 inch diameter and 2.4 inches depth.
3. Drive expansion screw into the holes leaving enough room to slide the brackets onto the screws. Then secure the Panel and Fixture.
4. Open the silicon cover at the bottom of the light, connect the cable from the solar panel to the cable from the light and screw together tightly.
5. Adjust the solar panel and LED light to the right angles according to the local latitude and the desired direction for the light.



TIP
In order to get the best lighting results and extend the life span, we suggest you follow the installation guide provided, when you install the light.


04 Remote Control

ACCORDING TO THE CONNECTION OF THE LIGHT AND SOLAR PANEL, THE LAMP WILL AUTOMATICALLY RECOGNIZE THE SENSOR MODE & CONSTANT LIGHTING MODE & POWER BANK FUNCTION.

Mode A: Constant Lighting Mode (Lamp separate with Solar Panel)


NOTE: Under this work model, the Radar sensor & Photocell induction will not work.

Mode A 01

Press  1 time for 50% Constant Brightness.




Mode A 02

Press  for a 2 times for 100% Constant Brightness.



Mode A 03

Press  for a 3 time to turn off.

Mode B: Sensor Mode (Lamp body connected to Solar Panel)

NOTE: Under this work mode, the lamp will automatically turn on at night and will turn off daytime.

Mode B 01

Automatically turns on full brightness (1000lm) when motion is detected within a range of $\leq 26.2\text{ft}$ and then turns to 5% brightness after 20 seconds of no motion.




Mode B 02

Automatically turns on and remain 100% brightness(1000lm) for 5 hours. After 5 hours or when battery capacity < 30% it turns to back to Mode B01.



Mode B 03

Press  for a 3rd time to turn off.

Additional Power Bank Function



05 Panel Angle

The solar charge in a battery pack won't last forever. The off-grid system relies on stored solar energy for autonomy. Angling your solar panels properly can boost the power intake of your solar lighting system. You want to angle your solar panels at a tilt based on the area's latitude.

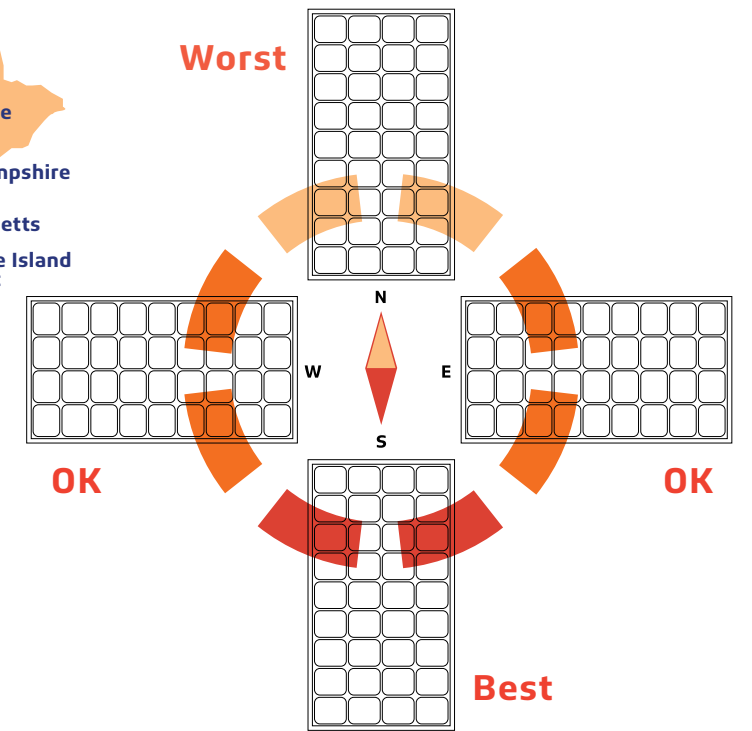
Tip

You can increase the tilt 15° in the winter or decrease 15° in the summer. In this way you can get the maximum sunlight to recharge the battery.

Key



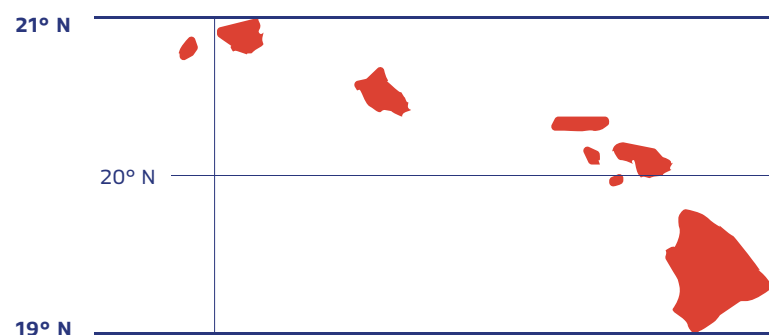
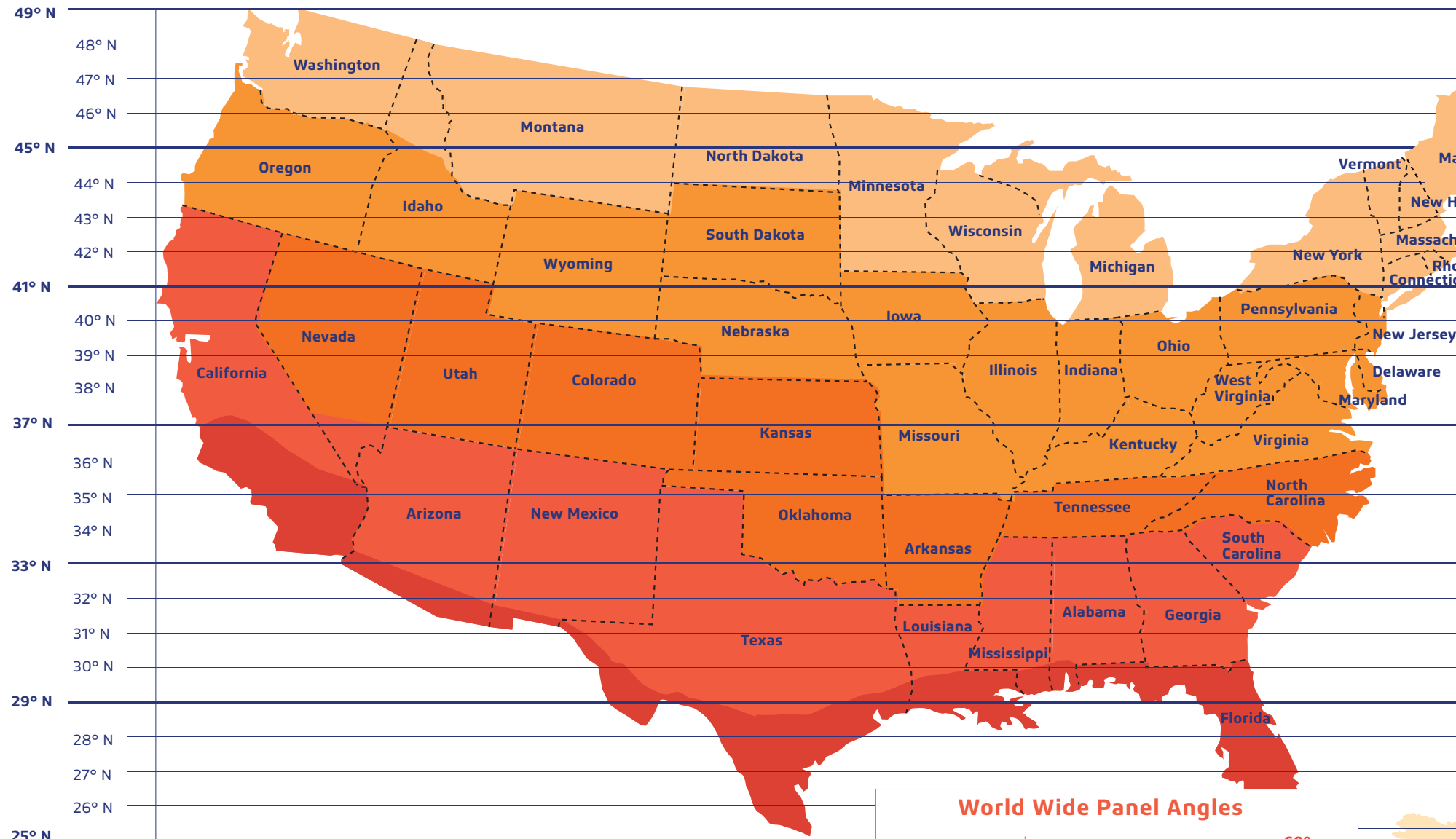
Best Facing Direction of Solar Panel



The area will dictate the installation of the fixtures and will sometimes prevent the lights from facing south. But that's okay! Panels facing West & East won't get as much light as Southern facing panels, but will still collect a good amount of sunlight. A North facing panel also works, but it will take longer to charge than any other direction. This would mean that the solar charge will be less optimal if installations are facing North.

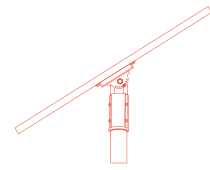
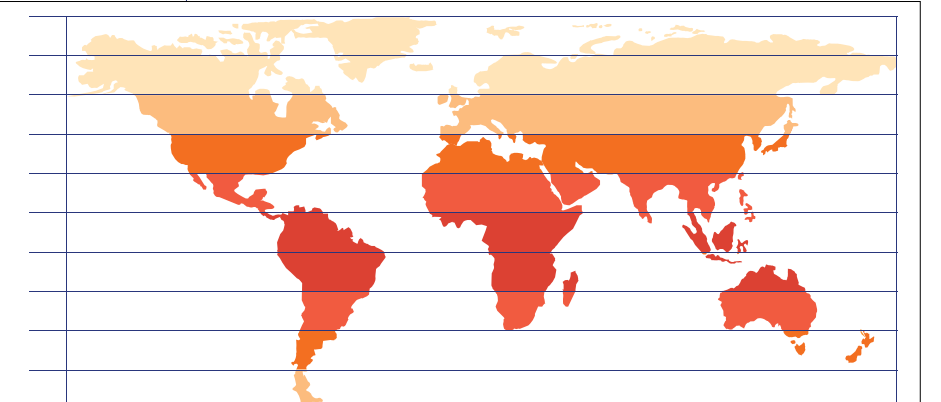
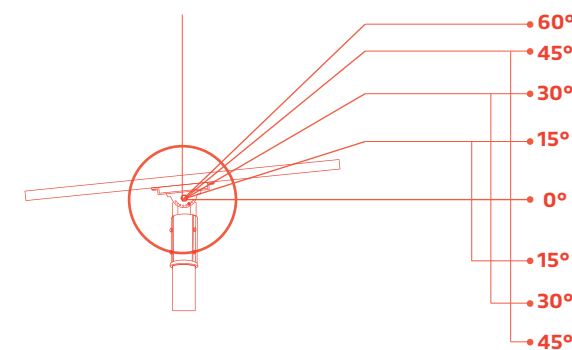


Alaska

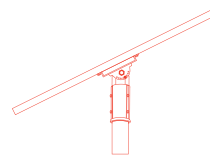


Hawaii

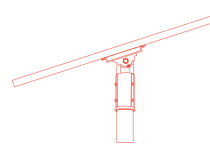
World Wide Panel Angles



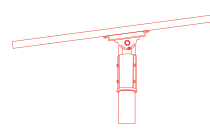
60°



45°



30°

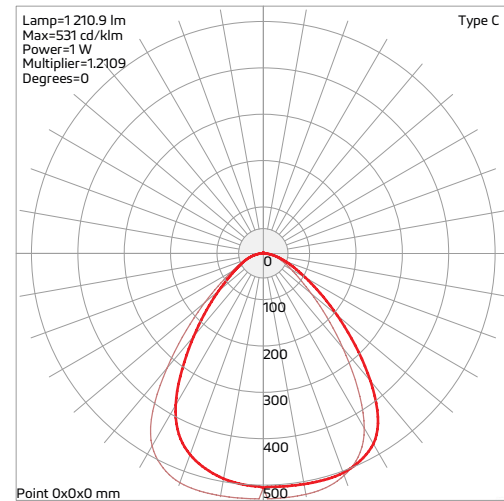


15°

08

06 Luminous Distribution

SOLTAB 10W



07 Warranty

SOLTAB is covered by a 3 year limited warranty. SOLTECH urban light warrants to the original purchaser that this product is free from defects in materials and workmanship for the period of 3 years from date of purchase. To obtain warranty service please contact your local distributor or sales rep for further instruction.

**SOLTECH Provides
Advanced LED
Technology Powered
With Eco-friendly,
Clean, Solar Energy.**



1460 Park Avenue.
Emeryville, CA 94608 USA
www.soltechlighting.com

SOLTECH LLC reserves the right to update all product data sheets at any time. Consult SOLTECH marketing specialists for publication updates at hello@soltechlighting.com

*Copyright©2021–2022 SOLTECH LLC,
All Rights Reserved.*