

SUNLIKE

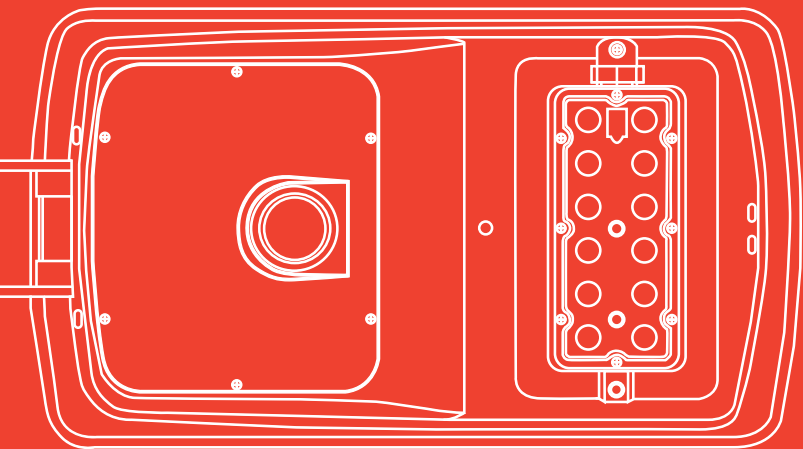
8W 20W 30W

Installation Manual

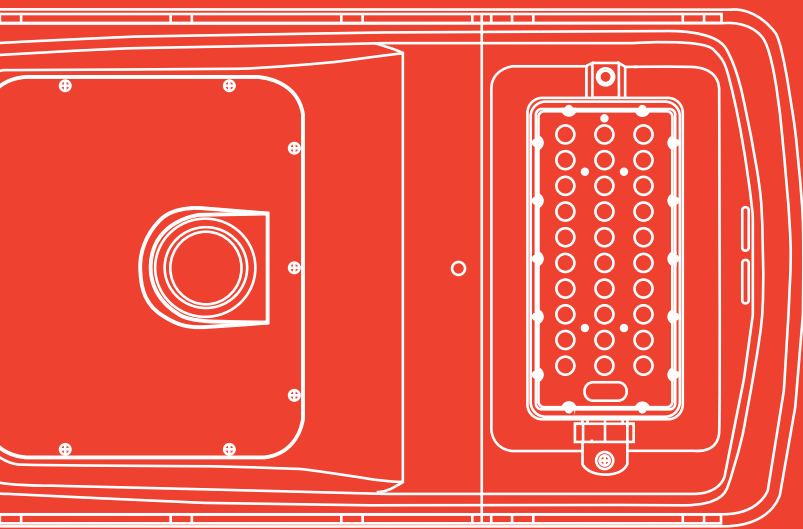
SOLTECH Provides Advanced LED
Technology Powered With Eco-friendly,
Clean, Solar Energy.



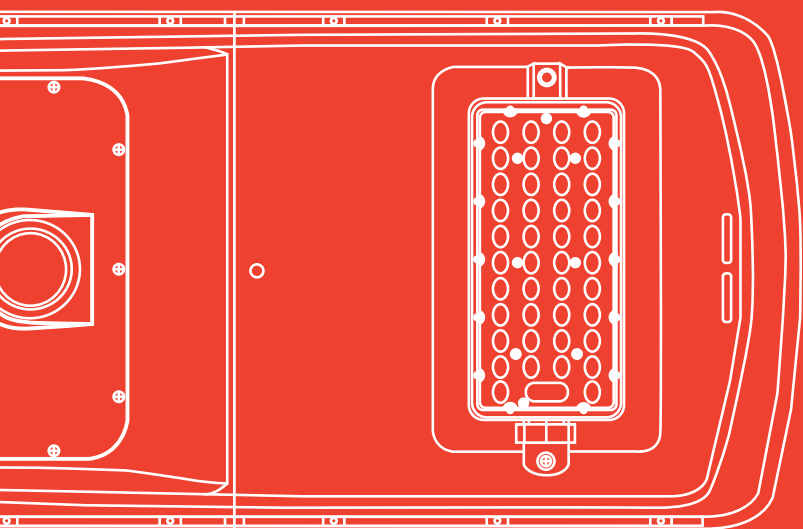
SOLTECH
Smart Solar Lighting



SUNLIKE 8W



SUNLIKE 20W



SUNLIKE 30W

Contents

01 Introduction	04
02 Battery Notes	06
03 Installation and Wiring Compliance	08
04 Mounting Accessories	09
05 Installation	010
06 Panel Angle	012
07 Remote Control Guide	014

01 Introduction

Thank you for purchasing SUNLIKE Urban Lighting Products.

Introduction

Outdoor solar lighting systems use solar cells which convert sunlight into electricity. Electricity is stored in batteries for use at night. SUNLIKE solar lights are easy to install and virtually maintenance free. Using them won't increase your electric bill.

Important

In order to avoid deep discharge of the battery during storage, please fully recharge your battery every 4 months. Please make sure that the light is installed in an area with sufficient sunlight irradiance. A strict minimum of 3.5 hours/day of sunshine on average is recommended. Select the right operating mode according to the local legislation needs and the local sunshine conditions. Keep it away from shadows. Self-cleaning available when the light fixture have minimum angle of 15 degrees.

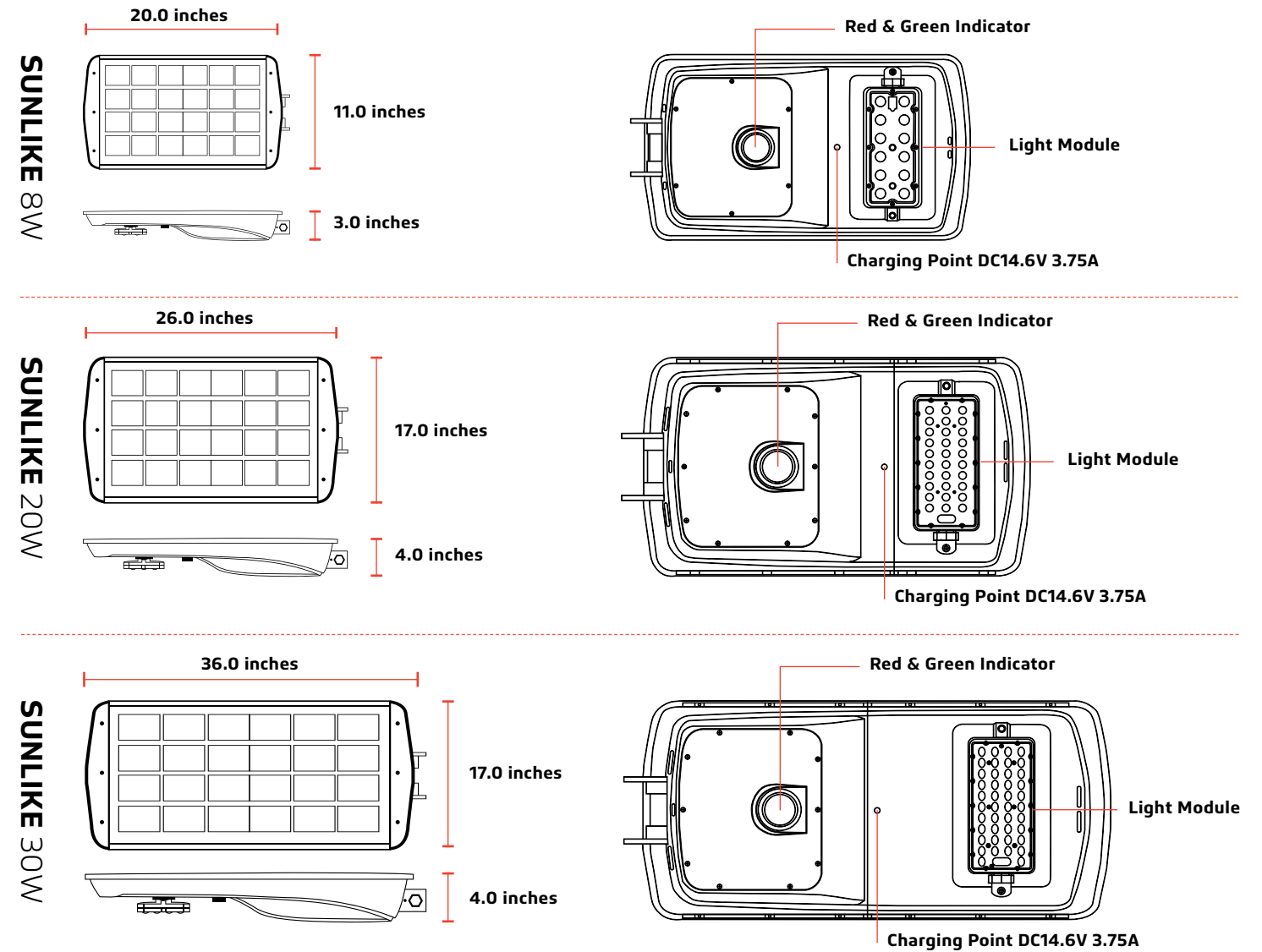
Please save these instructions. Read all of the instructions carefully before attempting to carry out any installation or wiring. Do not open or

attempt to repair the product on your own, as it may cause serious damage and would void the product warranty. Contact your local distributor for any questions concerning the installation.

Range of the light module on the lighting fixture is 20–26 feet (6–8 meters). The ideal installation spacing is >16 feet (5 meters). When installing two or more lighting fixtures on one pole, select desired operating mode before installation. Interference can cause delay or malfunction when using the remote control to change operating modes after installation.

Precautions when working with solar panels

When the solar panel is exposed to sunlight, a voltage appears at the output terminals of the solar panel turning it into a source of electricity. To avoid a shock hazard, make sure the solar panel is covered with an opaque (dark) later such as paper or cloth during the installation. Do not make contact with the terminals when the panel is exposed to sunlight or any other light source.



02 Battery Notes

1. The LiFePO₄-battery-powered Sunlike lights are visibly brighter than other outdoor solar lights, and their performance overall is more reliable.
2. To charge the battery fully may take up 6 to 12 hours.
3. The rechargeable battery can work continuously for 10 hours at full power.
4. Output will be reduced to 40% when the battery is below 40% of its capacity.
5. Battery will stop charging when the ambient temperature is below 32°F or above 149°F.

Battery Status is indicated by the red/green indicator on the lighting fixture as follows:

- Red indicator (Charging)
 - > Slow red light flashing = Charging
 - > Red light continuously on = fully charged
 - > Quick red flashing = charge fault
- Green indicator (not charging)
 - > Green light continuously on = more than 40% of the battery capacity remaining
 - > Slow green light flashing = battery capacity below 10%
 - > Quick green light flashing = battery below 0% mode—Protect battery does not over discharging

Storage

To avoid over discharge of the battery during storage, please recharge the lighting fixture every 4 months. Use the dedicated charger to charge, reset the switch when done.

Battery Replacement

1. Loosen the screws of the battery pack.
2. Disconnect the wire connectors.
3. Take out the battery pack.
4. Replace with a new one, connect the wire connectors.
5. Tighten the screws.

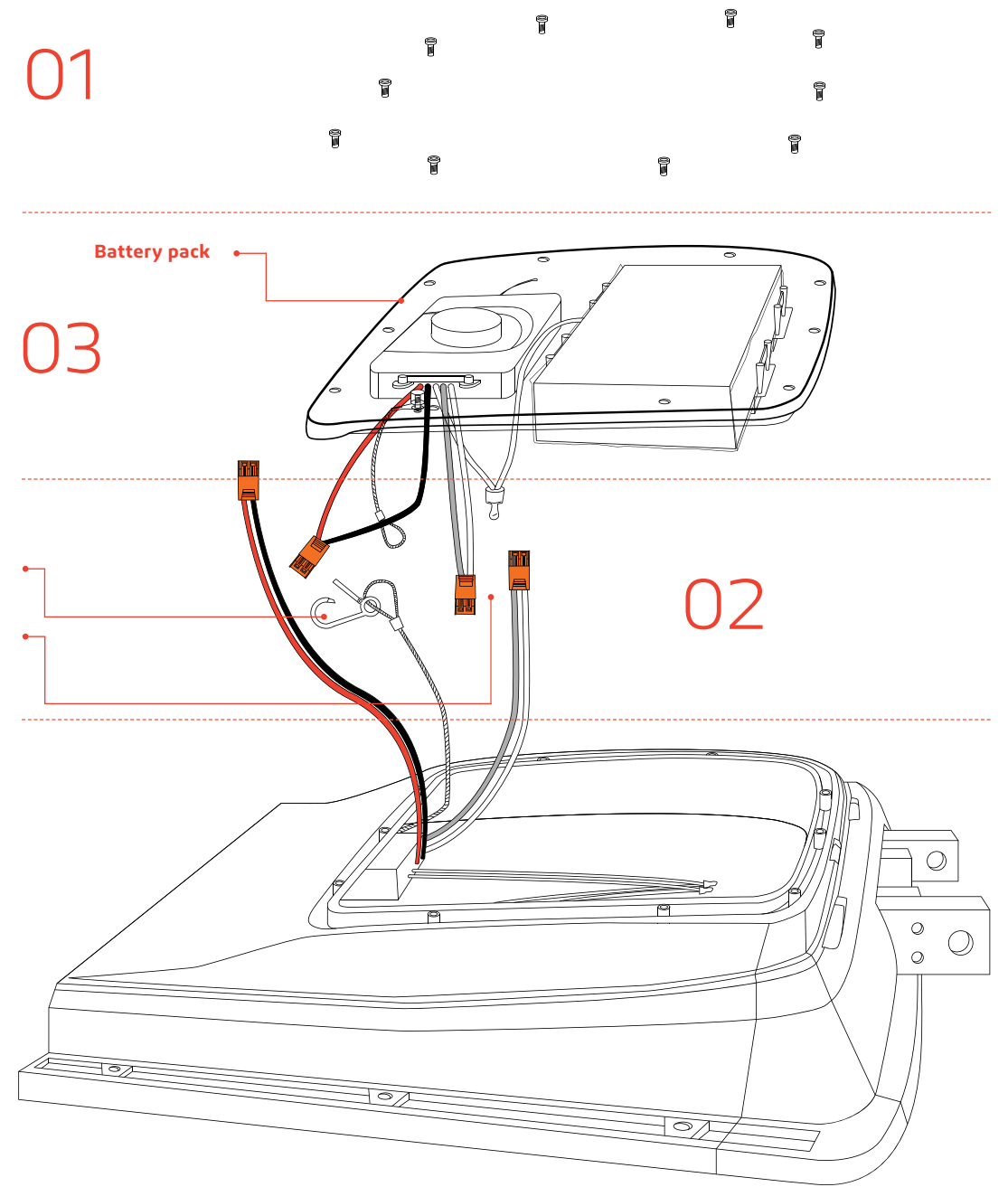
Important

Release the safety rope after disconnecting the wire connectors.

Make sure the color of the wires match while connecting.

(IAP) Intelligent Adaptive Program Battery Control Technology

In order to extend the off-grid autonomy of the SUNLIKE under shady trees, heavy rain, and thick clouds, our controllers now integrate an adaptive smart control feature to actively track battery capacity and adjust light output accordingly. Before integrating this feature, selecting a light output percentage on the remote would yield an accurate percentage of max LED brightness. Now with (IAP), the controller actively monitors the battery and regulates the electrical current to the LEDs. The controller makes light output of the selected percentage on the remote relative to battery capacity rather than max LED output. This smart-control feature can increase our off-grid performance by up to 40%.



03 Installation and Wiring Compliance

1. Installation and wiring must comply with the State and National Electrical Codes.
2. The SUNLIKE 8W/20W/30W model is intended for outdoor use only and should not be installed in an unventilated area, and shall be installed in an environment within the operational temperatures defined for the product.
3. The average sunshine in the installation area should be above 3.5 hours/day in order to ensure full function of the lighting fixture. Avoid areas with shades.
4. Before installation, if applicable, please ensure the light pole and its foundation are solid enough to withstand the lighting fixture(s).
5. Before installation, please ensure that the battery is fully charged. Install during sunny days if possible.
6. Before installation, please press the ON/OFF key in the remote control and check whether it shows a red light on the indicator. Please cover the panel and check if the light module turns on normally within 1 minute.

After Installation

The lighting fixture will automatically turn on at night and turn off during daylight.

Important

Always orient the solar panel facing the equator (e.g. facing south if in northern hemisphere).
Always have a tilt angle of at least 15° to avoid dust accumulation (0°=horizontal plane).

Ordering Information Chart

Series	Wattage	Optic Type	Color Temperature	Mounting Options	Finish
STLSTC=SUNLIKE	08=8W 1600 Lumens	T2=TYPE II <i>(only for SUNLIKE 30W)</i>	3=3000K	WM=Wall Mount	GY=Gray
	20=20W 4000 Lumens	T3=TYPE III	4=4000K	TRR=Trunnion Round	BR=Bronze
	30=30W 6000 Lumens	T4=TYPE IV <i>(only for SUNLIKE 30W)</i>	5=5000K 6=5700K	TRS=Trunnion Square SF=Slip Fitter SA=Straight Arm	

- - - - -

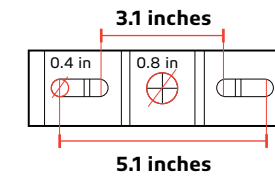
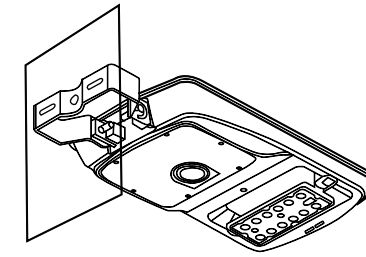
For example: STLSTC30T33TRS5GY

This means the customer wants a SUNLIKE 30 watt, TYPE III, 3000K CCT, Wall Mount installation, with a Gray finish.

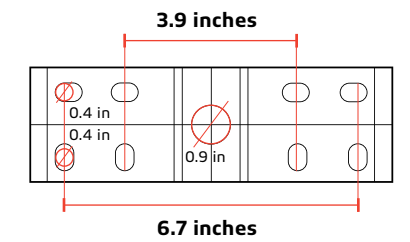
DO NOT send the sample number directly to our salers. Use the information in the chart above to create a model number with the correct series, wattage, temperature, mounting option, and finish for the product that you want.

04 Mounting Accessories

A. TRUNNION—Wall Mount

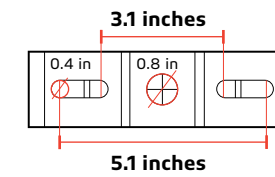
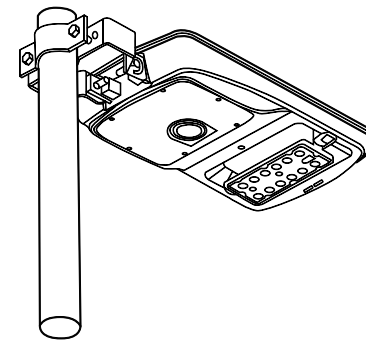


A-a. TLSTC-WM-8W (for SUNLIKE 8W)



A-b. TLSTC-WM-20W/30W (for SUNLIKE 20W/30W)

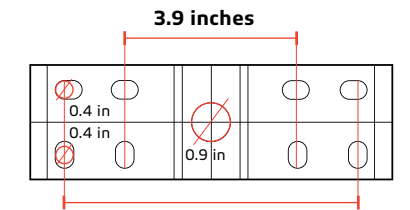
B. TRUNNION—Round



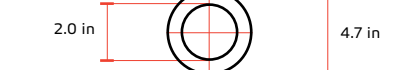
Pole Size



B-a. TLSTC-TRR-8W (for SUNLIKE 8W) works with 2.0 inches to 4.3 inches poles.

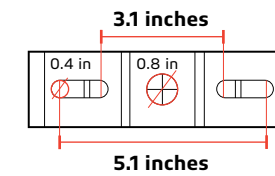
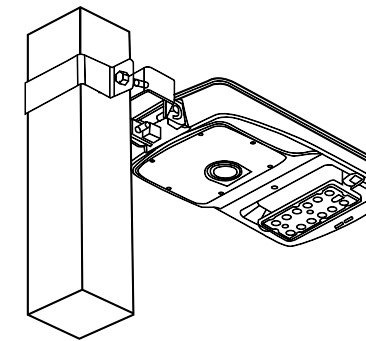


Pole Size

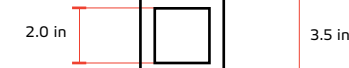


B-b. TLSTC-TRR-20W/30W (for SUNLIKE 20W/30W) works with 2.0 inches to 4.7 inches poles.

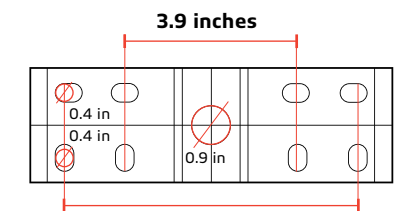
C. TRUNNION—Square



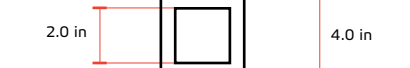
Pole Size



C-a. TLSTC-TRS-8W (for SUNLIKE 8W) works with 2.0 inches to 3.5 inches poles.

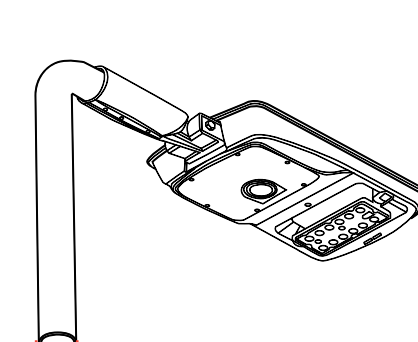
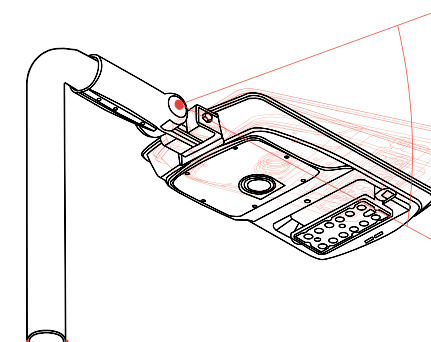


Pole Size

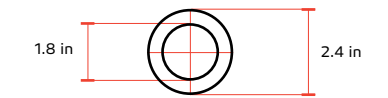


C-b. TLSTC-TRS-20W/30W (for SUNLIKE 20W/30W) works with 2.0 inches to 4.0 inches poles.

D. SLIP FITTER—Rotative AND STRAIGHT ARM

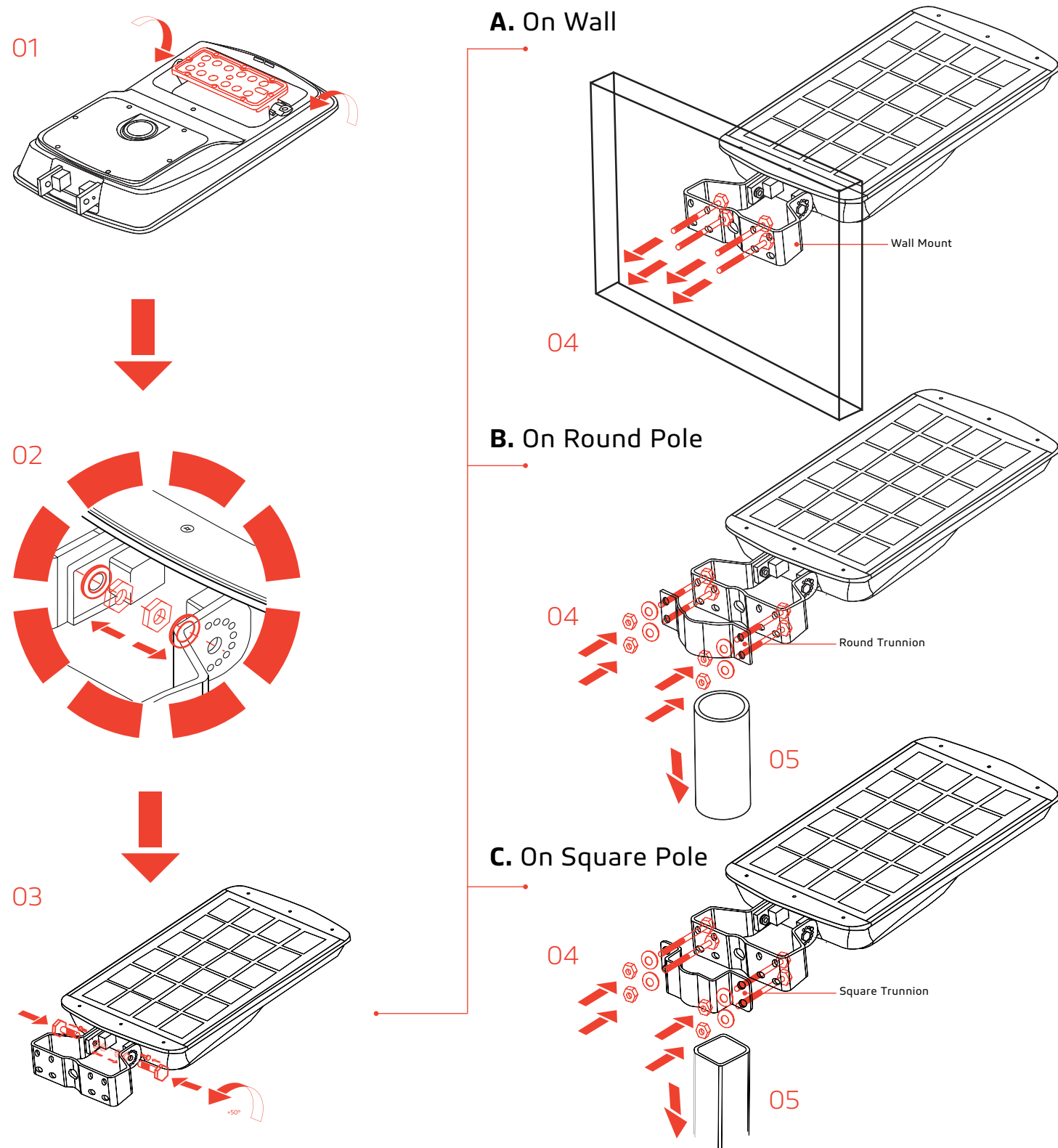


Pole Size For Slip Fitter And Straight Arm

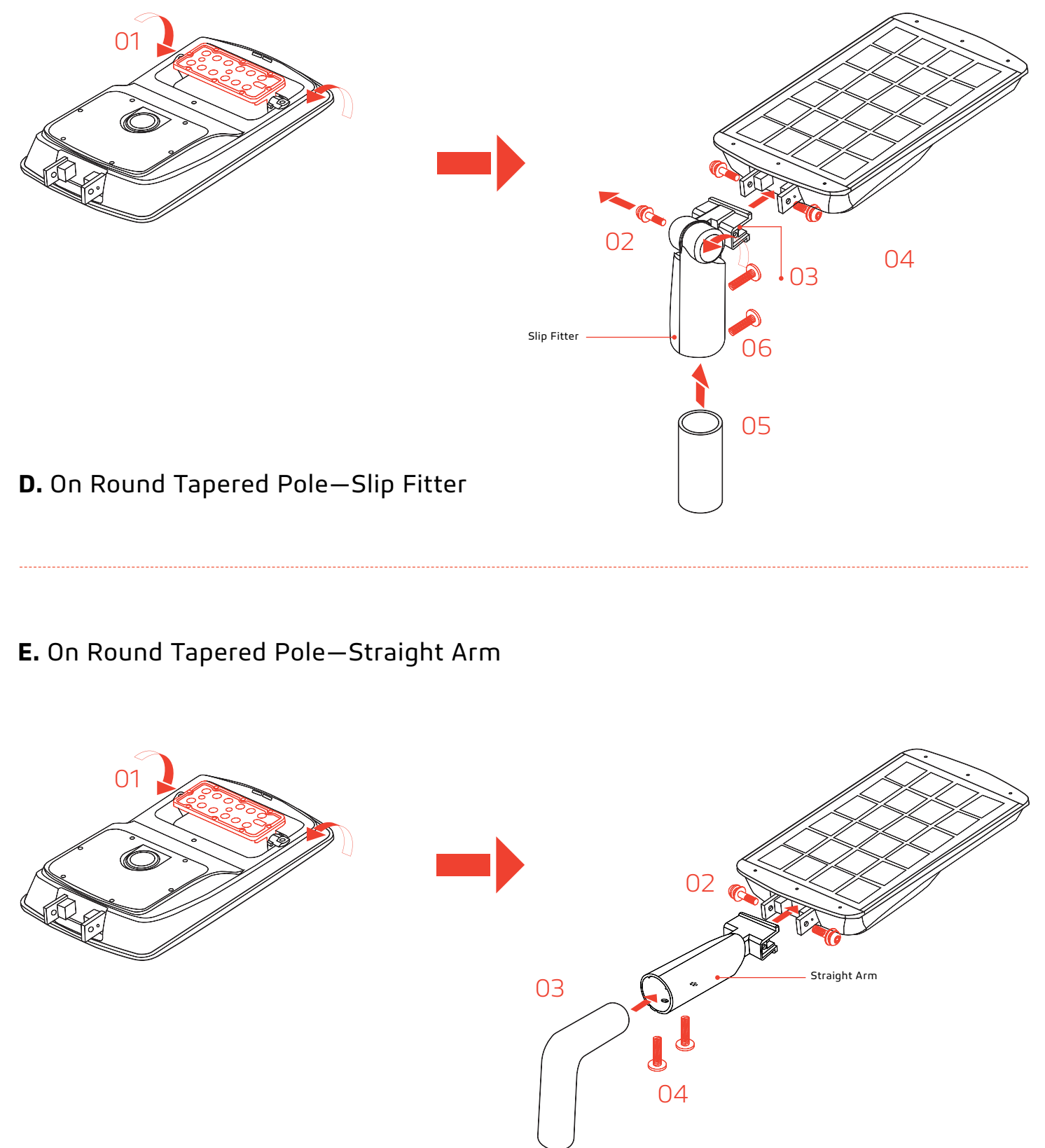


05 Installation

Trunnion Mount



Slip Fitter and Straight Arm



06 Panel Angle

The solar charge in a battery pack won't last forever. The off-grid system relies on stored solar energy for autonomy. Angling your solar panels properly can boost the power intake of your solar lighting system. You want to angle your solar panels at a tilt based on the area's latitude.

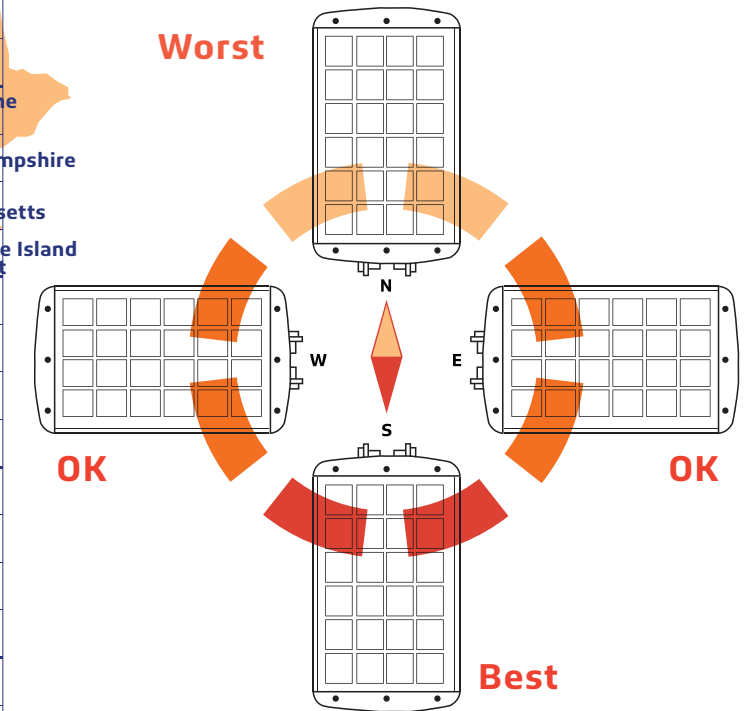
Tip

You can increase the tilt 15° in the winter or decrease 15° in the summer. In this way you can get the maximum sunlight to recharge the battery

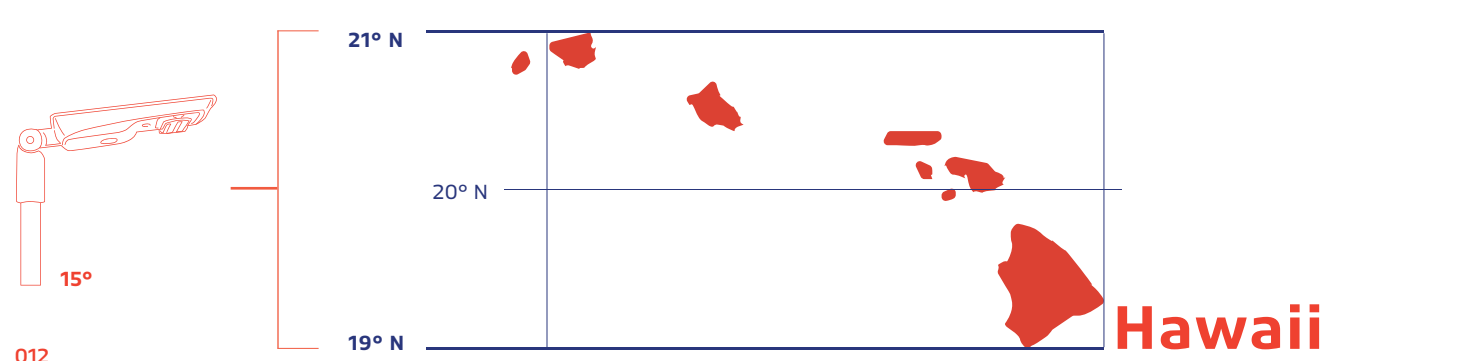
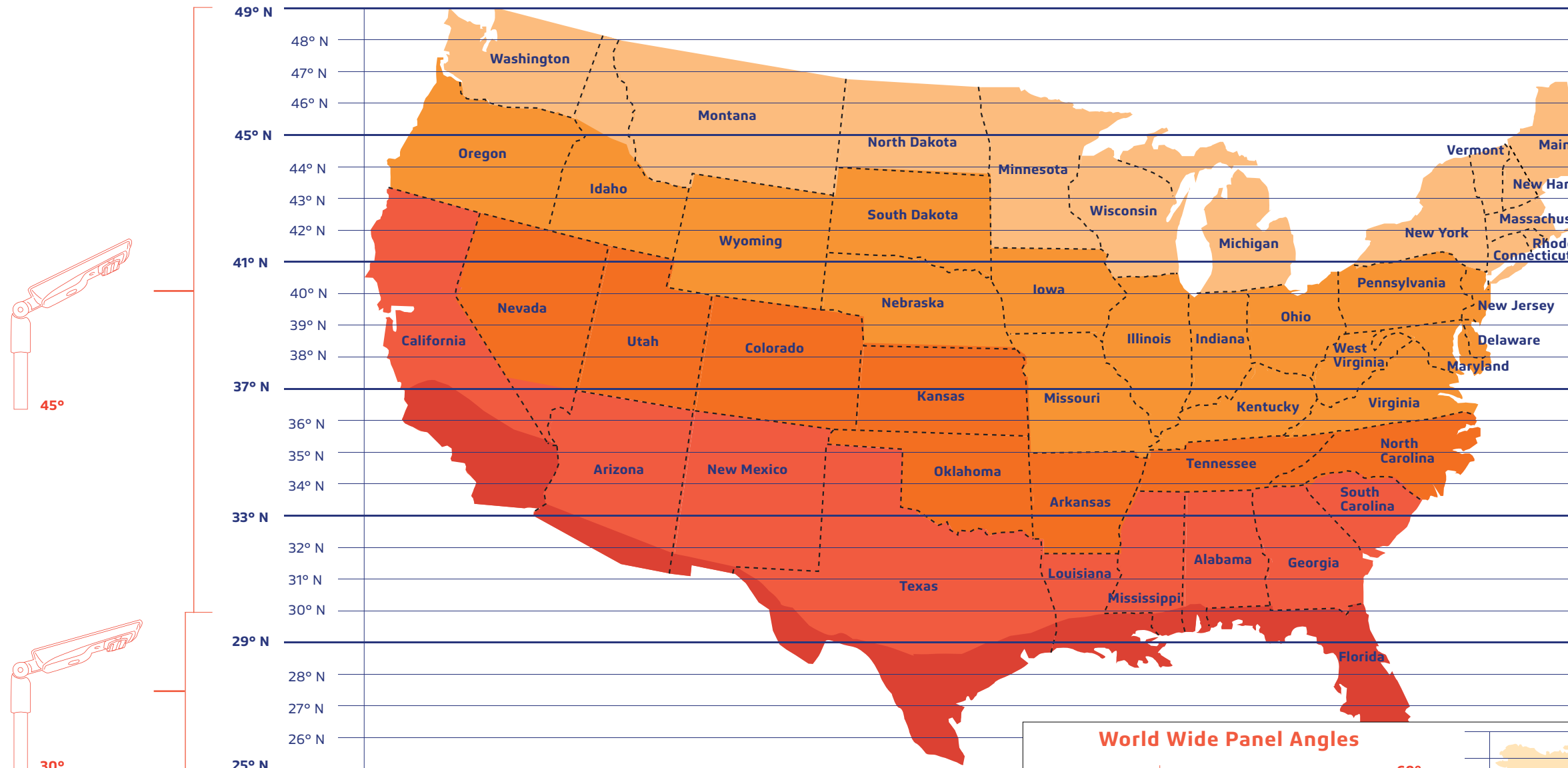
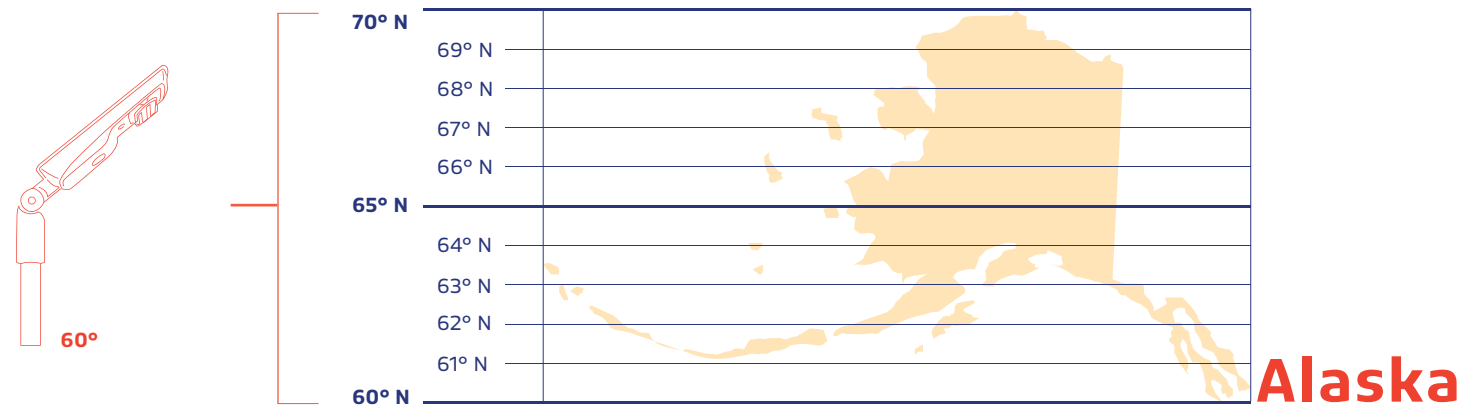
Key



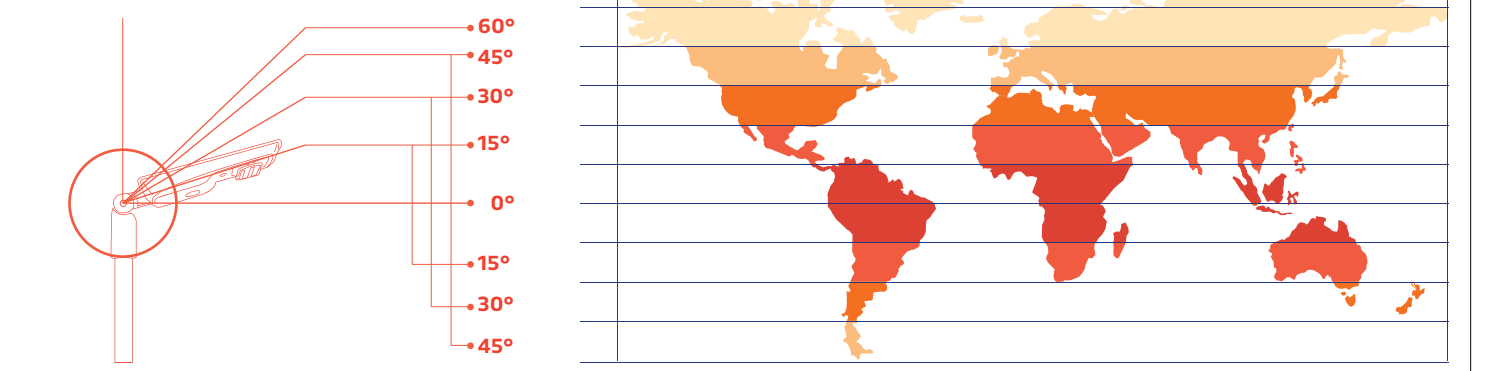
Best Facing Direction of Solar Panel



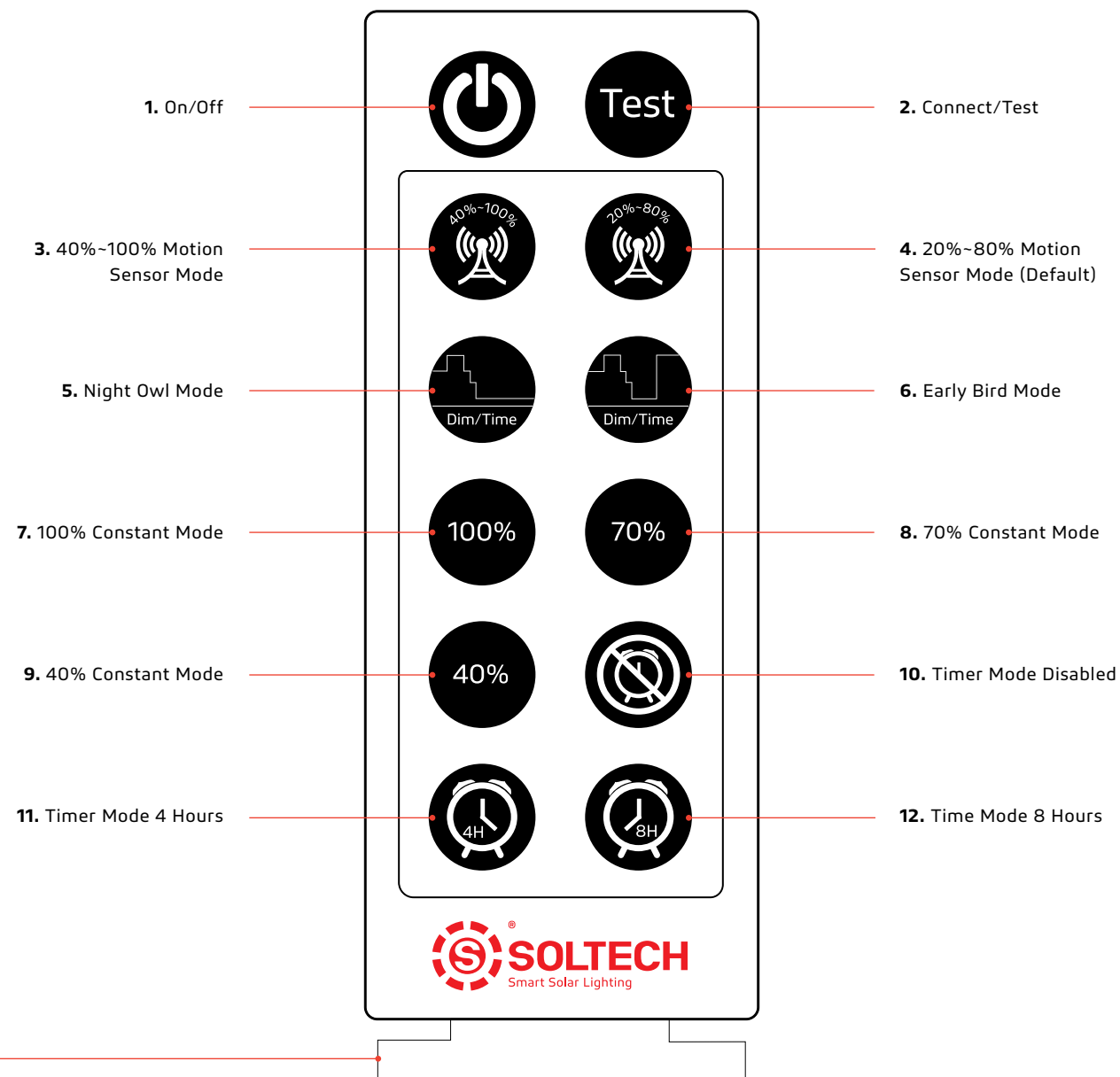
The area will dictate the installation of the fixtures and will sometimes prevent the lights from facing south. But that's okay! Panels facing West & East won't get as much light as Southern facing panels, but will still collect a good amount of sunlight. A North facing panel also works, but it will take longer to charge than any other direction. This would mean that the solar charge will be less optimal if installations are facing North.



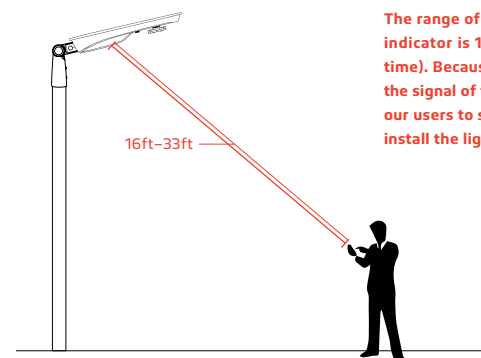
World Wide Panel Angles



07 Remote Control Guide



When using the remote for the first time, please remove the plastic piece at the bottom to make the remote turn on.

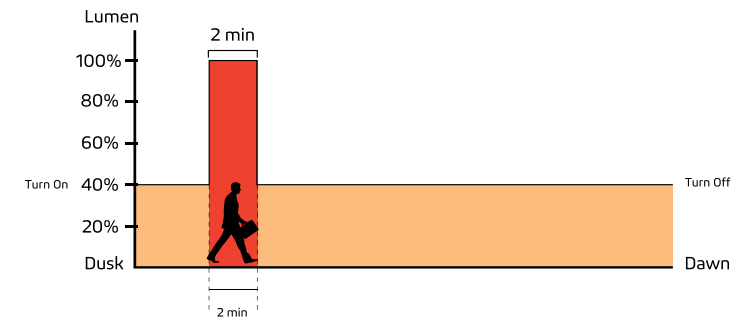


The range of the remote control to the indicator is 16ft (Day time) to 33ft (Night time). Because the sunlight will impact the signal of the remote control, we suggest our users to setup the mode before they install the light.

- 1. On/Off**
When off is selected, the light will stop working. The solar panel will not charge the battery and the battery will not supply electricity to the light.
- 2. Connect/Test**
Remote control device can be connected with any lighting fixture, one at a time. To connect, press the button once. It also functions as a test button. To test, press the "Test" button once, the red light will indicate the fixture is charging, green light indicates that the fixture is operating. Testing lasts for 10 seconds, and then it goes back to the mode previously in use.

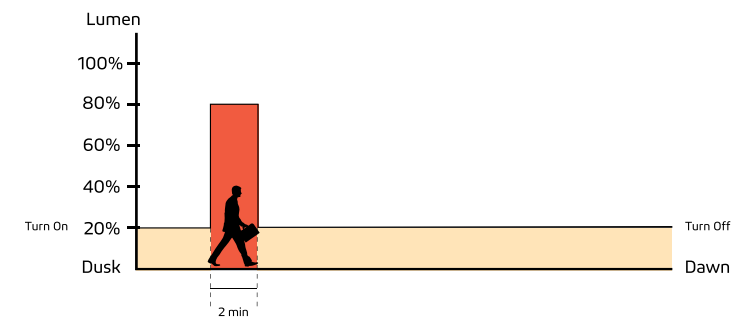
3. 40%-100% Motion Sensor Mode

Constant 40% brightness (turns on at dusk, turns off at dawn); 100% brightness turns on for 2 minutes when motion is detected.



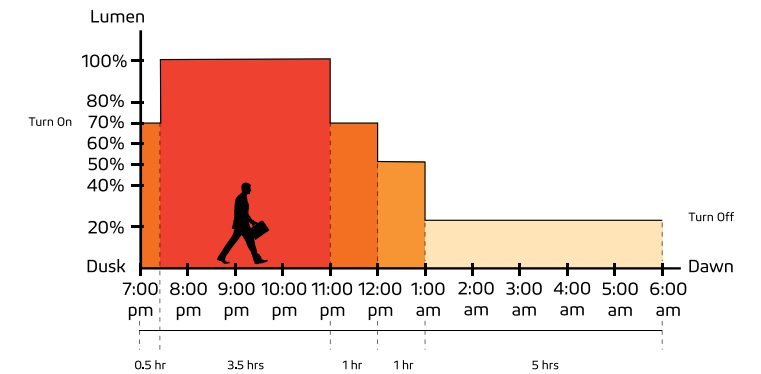
4. 20%-80% Motion Sensor Mode (Default)

Constant 20% brightness (turns on at dusk, turns off at dawn); 80% brightness turns on for 2 minutes when motion is detected.



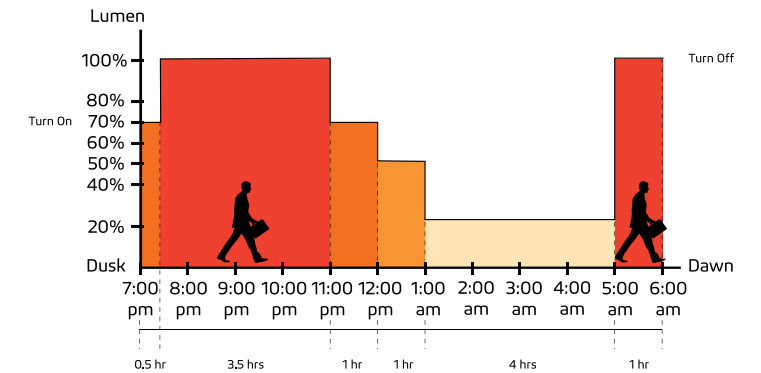
5. Night Owl Mode

Changes as natural light decreases/increases (turns on at dusk); 70% brightness for 0.5 hour, 100% brightness for 3.5 hours, 70% brightness for 1 hour, 50% brightness for 1 hour, 20% brightness for 5 hours (turns off at Dawn).



6. Early Bird Mode

Changes as natural light decreases/increases with increased brightness near dawn for early risers (turns on at dusk); 70% brightness for 0.5 hour, 100% brightness for 3.5 hours, 70% brightness for 1 hour, 50% brightness for 1 hour, 20% brightness for 4 hours, 100% brightness for 1 hour (turns off at Dawn).



(IAP) Intelligent Adaptive Program Battery Control Technology

In order to extend the off-grid autonomy of the SUNLIKE under shady trees, heavy rain, and thick clouds, our controllers now integrate an adaptive smart control feature to actively track battery capacity and adjust light output accordingly. Before integrating this feature, selecting a light output percentage on the remote would yield an accurate percentage of max LED brightness. Now with (IAP), the controller actively monitors the battery and regulates the electrical current to the LEDs. The controller makes light output of the selected percentage on the remote relative to battery capacity rather than max LED output. This smart-control feature can increase our off-grid performance by up to 40%.

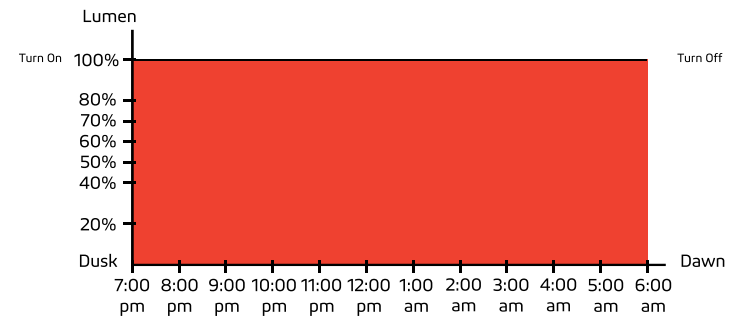
Important

Dust and dawn time can vary for different locations and seasons. The sensors in our products will monitor the light levels where it is installed. The time period shown in the chart above is just an example to help you understand the different lighting modes.

07 Remote Control Guide

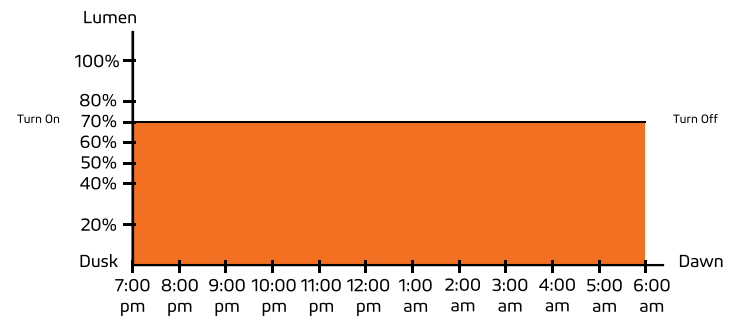
7. 100% Constant Mode

100% brightness from dusk to dawn.



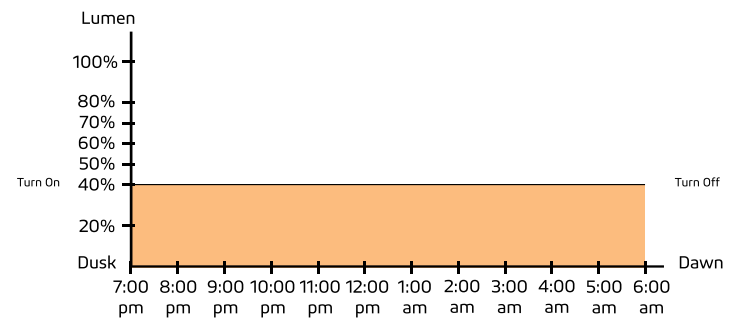
8. 70% Constant Mode

70% brightness from dusk to dawn.



9. 40% Constant Mode

40% brightness from dusk to dawn.

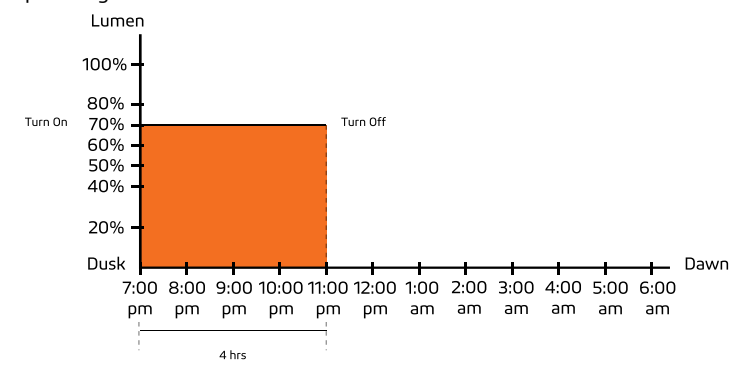


10. Timer Mode Disabled

Press this button to turn off Timer Mode; settings revert back to before Timer Mode was last activated.

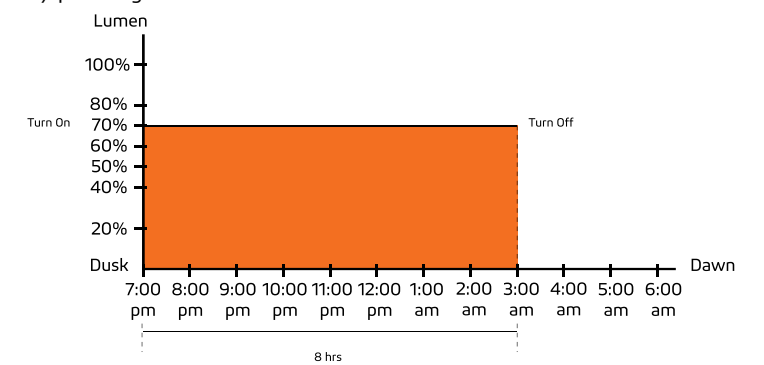
11. Timer Mode 4 Hours

This is an additional mode which can work with any other modes. For example: press this button at any time after you turn on 70% Constant Mode. If the light turns on at 7pm at dusk, it will turn off at 11pm. It will repeat the same schedule hereafter until it is canceled by pressing Timer Mode Disabled.



12. Time Mode 8 Hours

This is an additional mode which can work with any other modes. For example: press this button at any time after you turn on 70% Constant Mode. If the light turns on at 7pm at dusk, it will turn off at 3am. It will repeat the same schedule hereafter until it is canceled by pressing Timer Mode Disabled.



Important

Dust and dawn time can vary for different locations and seasons. The sensors in our products will monitor the light levels where it is installed. The time period shown in the chart above is just an example to help you understand the different lighting modes.

SUNLIKE products are covered by a 5 year limited warranty. SOLTECH urban light warrants to the original purchaser that this product is free from defects in materials and workmanship for the period of 5 years from date of purchase. To obtain warranty service please contact your local distributor or sales rep for further instruction.



1460 Park Avenue.
Emeryville, CA 94608 USA

www.soltechlighting.com

SOLTECH LLC reserves the right to update all product data sheets at any time. Consult SOLTECH marketing specialists for publication updates at hello@soltechlighting.com

*Copyright©2021-2022 SOLTECH LLC,
All Rights Reserved.*

**SOLTECH Provides
Advanced LED
Technology Powered
With Eco-friendly,
Clean, Solar Energy.**