

LED CANOPY LIGHT



CLF MODEL

DESCRIPTION

The **SOLTECH CANOPY LIGHTS** deliver powerful lighting in a sleek form factor ideal for parking garage and canopy applications. The luminaire is available with visual comfort optics that distribute light through a non-pixelated light source, resulting in uniform, eye-pleasing illumination with minimal glare. Simple-to-mount features enable one person to complete the installation, while exceptional lumen maintenance translates to years of energy and labor cost savings. Bringing an extraordinary blend of performance, value and aesthetics to otherwise ordinary spaces, the Canopy Lights are part of a full architectural family that includes Wall Pack, Area, and Flood lights.

APPLICATIONS:

Airport, auto dealership, corporate/office, education, government, healthcare, industrial and warehouse, municipal, parking, gas station and convenience stores, recreation and public venues, restaurants and hospitality, retail and grocery.



FEATURES

PERFORMANCE:

Perfect for both retrofits and new projects, it allows an ideal usage mainly used in places that need coverage while maintaining constant stream of light spread through the night.

Available in varying ranges:
• 150W

Lumens are 20,183 lumens

HOUSING:

ADC12 aluminum heat sink, outdoor powder coat finish, and waterproof design.

FINISHES:

The CLF is available in:
• **WH**= White

MOUNTING:

Latch design allows easy one person installation with the mounting plate. Standard adapter plate included for junction box mounting.

PHOTOMETRICS:

Please see page 3 for photometric layouts.
All of our IES files will be available at www.soltechlighting.com

OPTICAL LENS:

High light transmittance PC>=95%, UV and fire resistant.

ELECTRICAL:

100-277V, 50/60Hz, PF>=0.9, THD<20%

LED:

LUMILEDS (LED), CRI>70, Low degradation adhesive applied to the LED soldering position on the PCB, for added protection.

CERTIFICATIONS:

UL Listed, DLC Listed. All components used are UL approved. IP65 rated.

WARRANTY:

5-year limited warranty. See complete warranty terms for details.

Warranty Guidelines include but are not limited to:

- Product must be rated for the application per the Product Data Sheet (PDS)
- Operated ≤16 hrs/day;
- In ambient of -40°F-122°F.

ADDITIONAL INFORMATION:

High lumen efficacy of up to 135LM/W.

Operating Temperature:

-40° - 122°F, 10KV surge protection.

More information provided at www.soltechlighting.com/support

LED CANOPY LIGHT

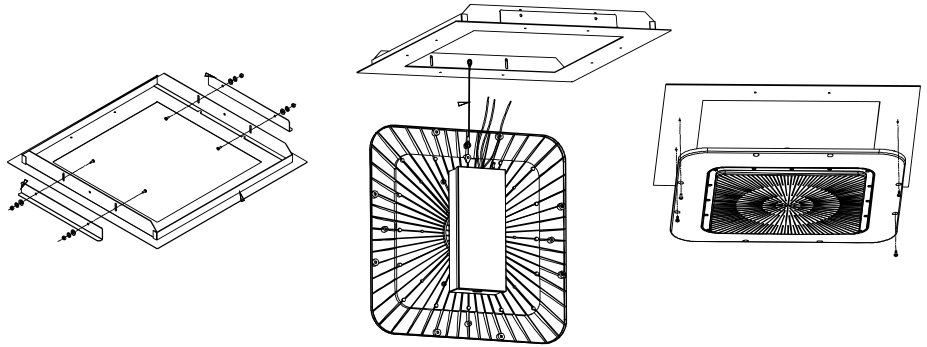


CLF MODEL

SUMMARY

HOUSING	ACD12 aluminum heat sink, Outdoor powder coating.
VOLTAGE	100-277V, 50-60Hz AC
LED	LumiLEDs
EFFICACY	135 LM/W
LUMENS@5000K	20,183 lumens
POWER FACTOR	>0.9
BEAM ANGLE	110° X 110°
THD	<20%
OPERATING TEMP	-40°F-122°F
ALUMINUM LED BOARD	High conductive, Waterproof, Aging resistance, Salt mist resistance, Long-life.
CONTROLS / DIMMING	0-10V Dimming
CCT	4000K and 5000K
CRI	>70
RATED LIFE	70,000 hours

INSTALLATION DIAGRAM



ENERGY PERFORMANCE DATA

MODEL	DIMENSION (in)	VOLTAGE (V)	WATT (W -8%~+5%)	LUMENS @ 5000K(Lm)	EFFICACY (Lm/w)
STLCLF150XYYZZ	20.5X20.5X7.9 in	100-277	150	20,183	135

ORDERING INFORMATION:

Sample Number: STLCLF1504CLWH

SOLTECH CLF Canopy Light 150 watt, 4000K, Ceiling installation, with a White finish.

SERIES	WATT (W -8%~+5%)	COLOR TEMP (X)	MOUNTING OPTIONS (YY)	FINISH (ZZ)	VOLTAGE (V) (Blank)	OPTIC TYPE (Blank)	DIMMING (Blank)
STLCLF	150	4=4000K 5=5000K	PD=PENDANT	WH=WHITE	100-277	110° X 110°	1-10V DIMMING

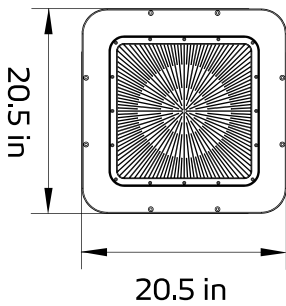
LED CANOPY LIGHT

CLF MODEL

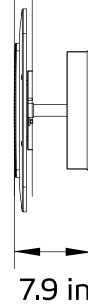


DIMENSIONAL DRAWING

150W



1.3 in



PHOTOMETRICS:

