

HIGH BAY LIGHT



HBP MODEL

DESCRIPTION

The **SOLTECH HBP** LED High Bay delivers high lumen output, long life, economic solution, and no restrike time. This energy-efficient LED luminaire offers one-to-one replacement of existing HID or fluorescent high bays. Precision-formed reflectors delivers adequate light in high mounting applications. Modular driver and LED arrays. Economic solution to optimize payback. Capable of being operated with occupancy sensor.

APPLICATIONS:

Various commercial and industrial applications with high ceilings: warehouse, manufacturing facilities, retail, gymnasiums, grocery.

FEATURES

PERFORMANCE:

Perfect for both retrofits and new projects, it allows an ideal usage mainly used in places that need coverage while maintaining constant stream of light spread through the night.

Available in varying ranges:

- 150W
- 230W
- 300W

Lumens are from 20,250–40,500 lumens

HOUSING:

ADC12 aluminum heat sink, outdoor powder coat finish and waterproof design.

FINISHES:

The HBP is available in:

- **BL**= Signal Black

PHOTOMETRICS:

Please see page 3 for photometric layouts.

All of our IES files will be available at www.soltechlighting.com

OPTICAL LENS:

High light transmittance >95%, PC.

MOUNTING:

The HBP Line Provides two main attachments.

Through the ceiling mount or the pendant mount.

These can be identified in the Model Specification Sheet as:

- **YK** = Yoke
- **HK** = Hook



- **Occupancy Microwave Sensor Option**
- **Remote Control**
- **Power Adjustable and CCT Tunable Are Optional**

ELECTRICAL:

100–277V, 50/60Hz, PF≥0.9; THD<20%, with stable and reliable circuit design.

LED:

LUMILEDS, CRI>80, Low degradation adhesive applied to the LED soldering position on the PCB, for added protection.

CERTIFICATIONS:

UL listed. DLC QPL listed. All components have safety approvals. Wet location listed. IP65 rated.

CONTROL:

Microwave sensor optional upgrade. Comes standard with dimming compatibility.

WARRANTY:

We have a 5-year limited warranty, see complete warranty terms for details.

Warranty Guidelines include but are not limited to:

- The original warranty extends to the original buyer
- Light must be used less than 16 hours a day
- Must be in ambient of -40°F to 104°F

ADDITIONAL INFORMATION:

Competitive lumen efficacy of up to 135LM/W.

Operating Temperature:

-40°– 104°F, 10KV surge protection.

More information provided at www.soltechlighting.com/support

HIGH BAY LIGHT

HBP MODEL

SUMMARY

HOUSING	ADC12 aluminum heat sink, Outdoor powder coating.
VOLTAGE	100-277V, 60Hz AC
LED	LumiLEDs
EFFICACY	135 LM/W
LUMENS@5000K	20,250-40500 lumens
POWER FACTOR	≥0.9
BEAM ANGLE	90°
THD	<20%
OPERATING TEMP	-40°F-104°F
ALUMINUM LED BOARD	High conductive, Waterproof, Aging resistance, Salt mist resistance, Long-life.
CONTROLS / DIMMING	0-10V Dimming
CCT	3,000K 4,000K 5,000K
CRI	>80
RATED LIFE	70,000 hours



- Occupancy Microwave Sensor Option
- Remote Control
- Power Adjustable and CCT Tunable Are Optional

ENERGY PERFORMANCE DATA

MODEL	DIMENSION (in)	VOLTAGE (V)	WATT (W -8%~+5%)	POWER ADJUST-ABLE	LUMENS @ 5000K(Lm)	EFFICACY (Lm/w)
STLHBP150XYZZ	7.4X12.5 in	100-277	150	80W 100W 150W 200W	20,250	135
STLHBP230XYZZ	7.8X14.2 in	100-277	230	100W 150W 200W 300W	31,050	135
STLHBP300XYZZ	8.0X15.7 in	100-277	300	150W 200W 230W 300W	40,500	135

PRODUCT NUMBER BUILDER

Example: STLHBP1504YKBL

SOLTECH High Bay HBP 150 watt, 4000K, Yoke installation, with a black finish.

SERIES	WATT (W -8%~+5%)	COLOR TEMP (X)	MOUNTING OPTIONS (YY)	FINISH (ZZ)	VOLTAGE (V) (Blank)	OPTIC TYPE (Blank)	DIMMING (Blank)
STLHBP	150	3=3,000K	YK=YOKE	BL=BLACK	100-277	90°	0-10V/PWM/VR
	230	4=4,000K	HK=HOOK				
	300	5=5,000K					

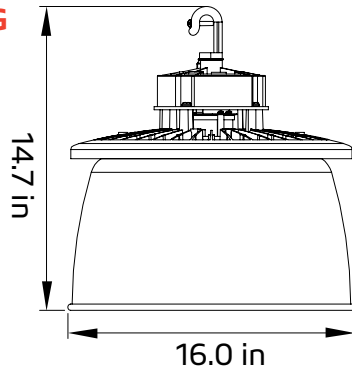
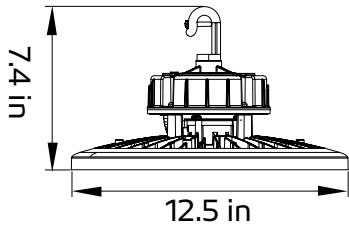
HIGH BAY LIGHT



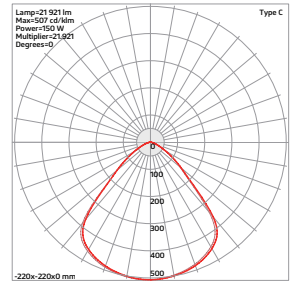
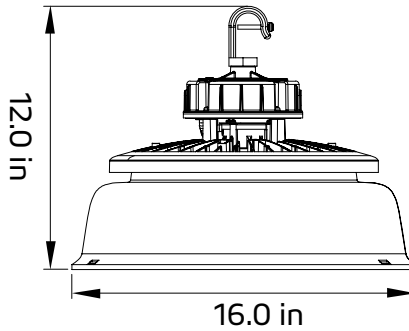
HBP MODEL

DIMENSIONAL DRAWING

150W

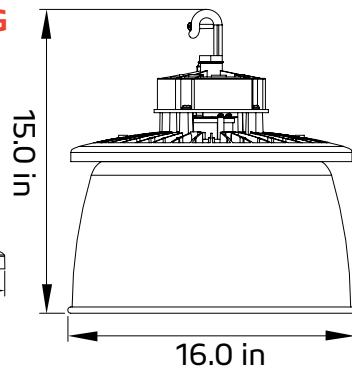
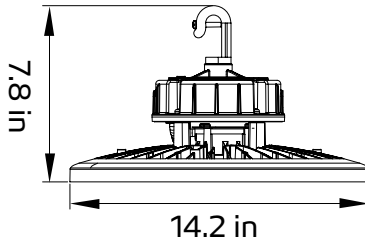


PHOTOMETRY

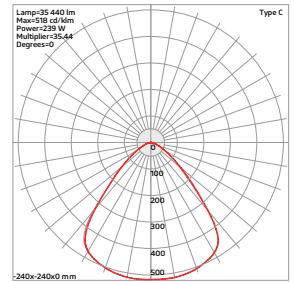
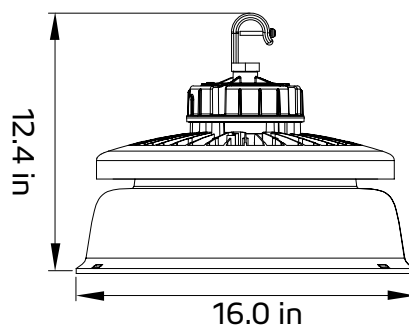


DIMENSIONAL DRAWING

230W

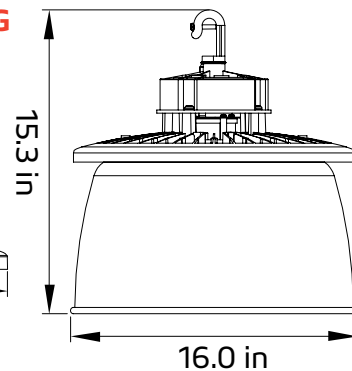
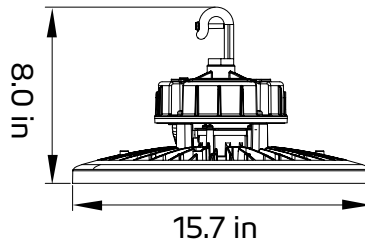


PHOTOMETRY

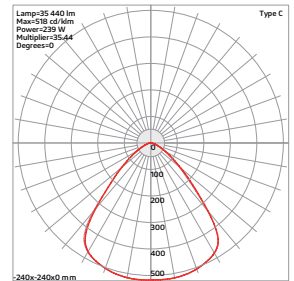
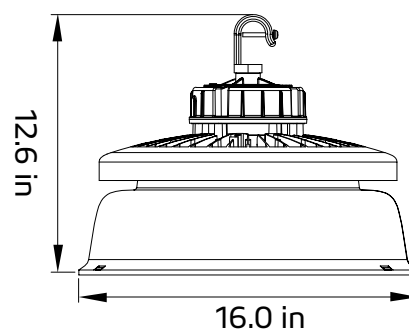


DIMENSIONAL DRAWING

300W



PHOTOMETRY



Plug In Type Sensor



Bracket Mounting



Anti Glare PC Reflector

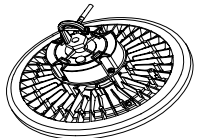
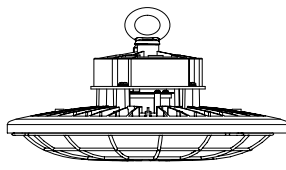
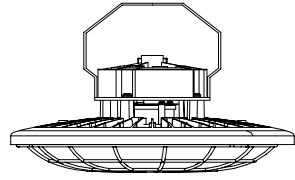
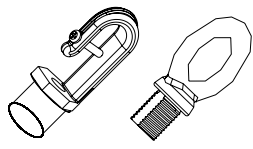
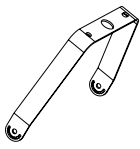
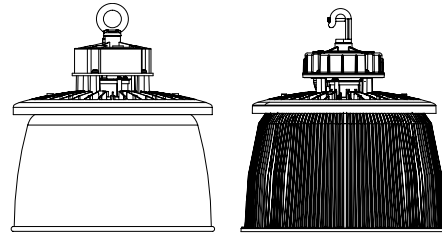
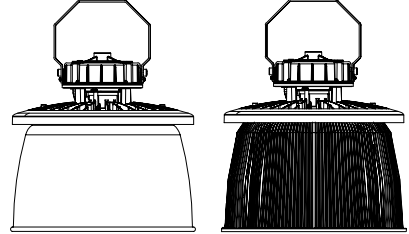
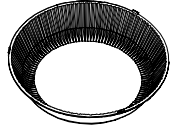
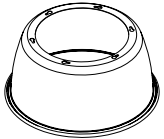
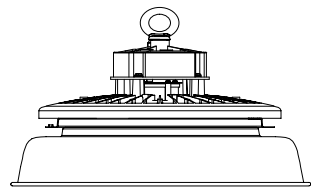
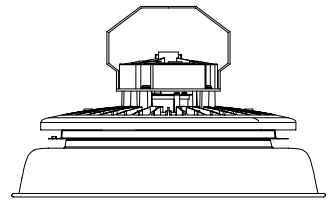

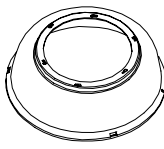
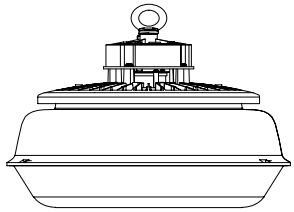
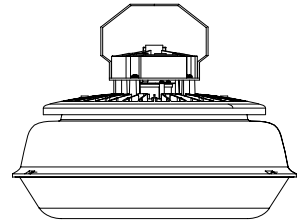

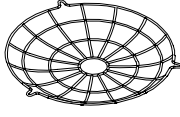
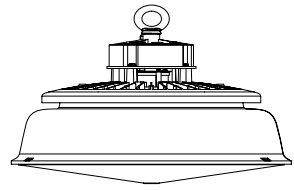
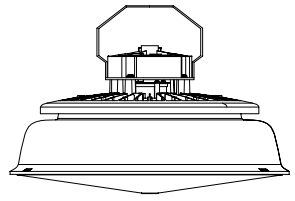
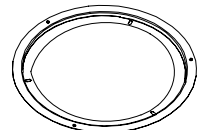


Emergency Battery Pack



High Temperature High Voltage Driver

HBP PARTS LIST

ILLUSTRATION	HOOK INSTALLATION	YOKE INSTALLATION
A. HOUSING 	A+B+I 	A+C+I 
B. HOOK/RING 		
C. YOKE 	A+B+E+J A+B+F+J 	A+C+E+J A+C+F+J 
D. TYPE A PC BOTTOM COVER (16") 		
E. ALUMINUM REFLECTOR (16") 	A+B+G 	A+C+G 
F. PC REFLECTOR (16" Large) 		
G. PC REFLECTOR (16" Small) 	A+B+G+D 	A+C+G+D 
H. TYPE Y PC BOTTOM COVER (16") 		
I. WIRE (16") 	A+B+G+H 	A+C+G+H 
J. ADAPTER <i>* For Aluminum reflector and Large PC reflector.</i> 		

*HBP 150W-230W needs ADAPTER RING when installing the aluminum reflector and large PC reflector.