



# SOLTAB 10W

### APPLICATIONS

This LED solar flood light is a multifunction work light, as well as a solar energy power bank for your portable electronic devices. SOLTAB combines the best of a flood light and an Eco-friendly power bank.

### DESCRIPTION

One of the most flexible solar fixtures to-date, the SOLTAB features a double-sided solar panel to maximize energy absorption, a radar sensor, constant light output, and a power bank that can be used with portable electronic devices. The LED fixture can be disconnected from the solar panel to allow maximum portability and convenience. The SOLTAB can also be mounted to the wall using the bracket. During installation, the solar panel can be separated from the fixture to accommodate for any urban or residential design. The light features both constant light modes and sensor modes that can be programmed using the buttons located on the light.

### CERTIFICATION DATA



### ORDERING INFORMATION

SERIES	WATTAGE	COLOR TEMPERATURE	MOUNTING OPTIONS	FINISH
STL-TAB=SOLTAB	10=10W 1000 Lumens	4=4000K 5=5000K	WM=Wall Mount	BK=BLACK

-  -  -  -

### SPECIFICATION FEATURES



#### One Key Control

- Change the operating modes using the silicon rubber on/off button.



#### User-Friendly

- Tempered-glass laminated, reliable and durable for portable usage. Double-sided solar panel achieves a higher conversion efficiency.
- Tools-free rotator enables solar panel angle adjustment or light direction adjustment, with just bare hands



#### Multifunctional & Flexible

- The light can be used separately or connected to the solar panel with the water tight quick connector
- Use outdoor as a flood light or wall pack
- Use indoor as a desk light or emergency light
- Use as a portable work light or camping light
- Use as your power bank with solar recharging and a USB port



#### Ergonomic Design

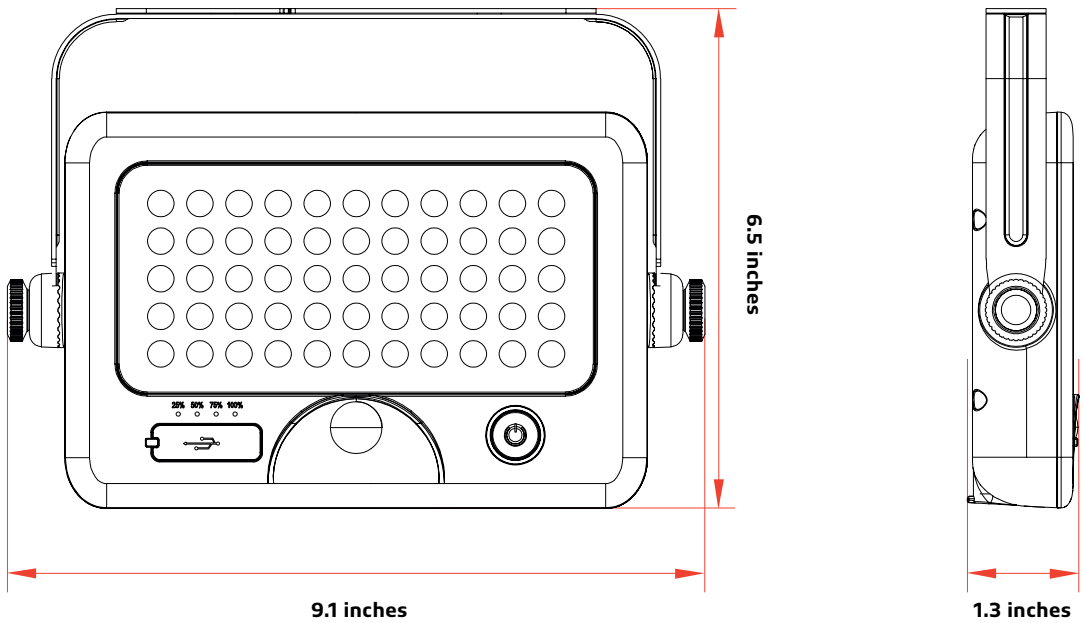
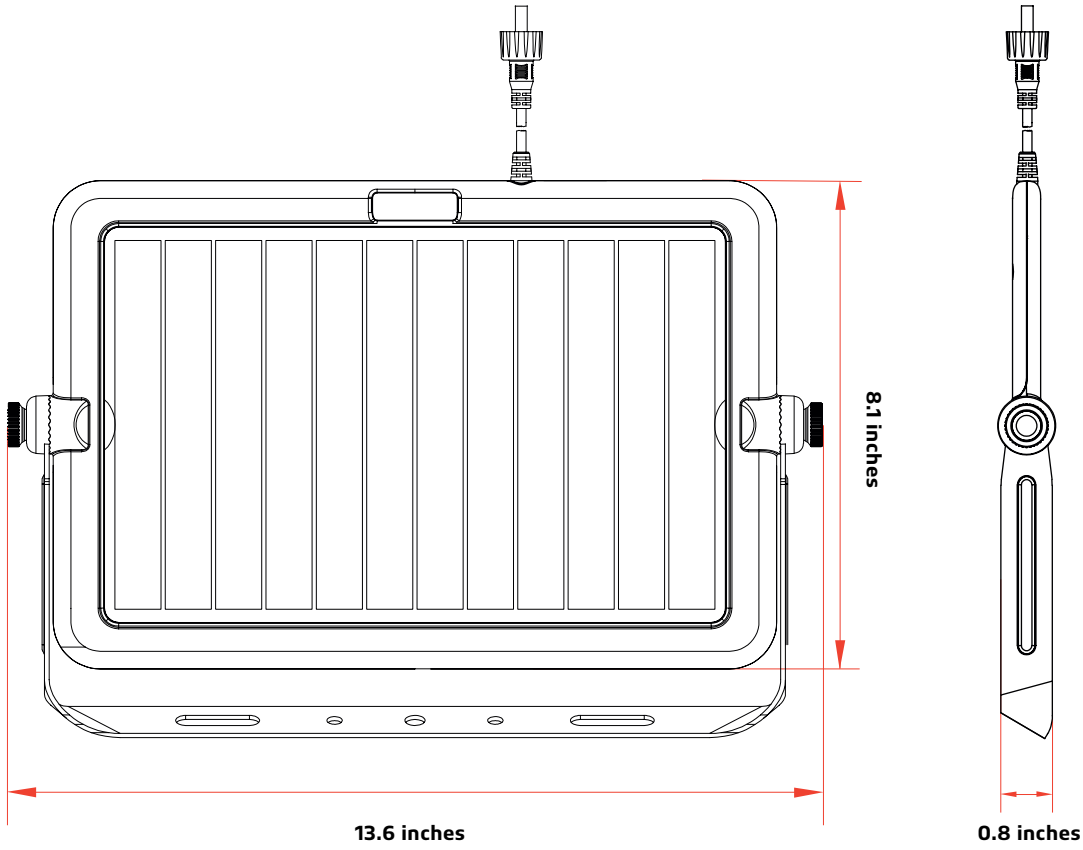
- Clear Indicator of Battery Capacity: 25% 50% 75% 100%. It quickly shows the battery capacity at any time. Enables better planning for your activities
- Lenses for superior optical control, enhanced lighting efficiency and reduced glare



**SOLTAB 10W**

CATALOG		COMMENTS
PROJECT		
PREPARED BY		
DATE		

**PRODUCT SIZE**





# SOLTAB 10W

CATALOG		COMMENTS
PROJECT		
PREPARED BY		
DATE		

## SPECIFICATIONS

<b>LED Nominal Power</b>	10W
<b>Solar Panel</b>	Mono-Crystalline 6V 10W
<b>Lithium Ion Battery</b>	27WH 3.7V 7.2AH
<b>CCT</b>	4,000K & 5,000K
<b>Lumen Output@4000K</b>	1,100
<b>CRI</b>	> 70
<b>Product Size</b>	Solar Panel: 13.6 X 8.1 X 0.8 Inches Light: 9.1 X 6.5 X 1.3 Inches
<b>Beam Angle</b>	90°
<b>Waterproof Rate</b>	IP65
<b>Casting</b>	PC & Aluminum
<b>Efficiency@4000K</b>	100 lm/W
<b>* Charging Time</b>	7hrs (1000W/m <sup>2</sup> )
<b>Run Time (@Full Power)</b>	2-3 Days
<b>Operation Mode</b>	4 Operating Modes
<b>PIR Sensor Angle / Distance</b>	90° / 16-26 ft
<b>* Operating Temperature</b>	-5 °F to 113 °F
<b>* Charging Temperature</b>	32 °F to 149°F

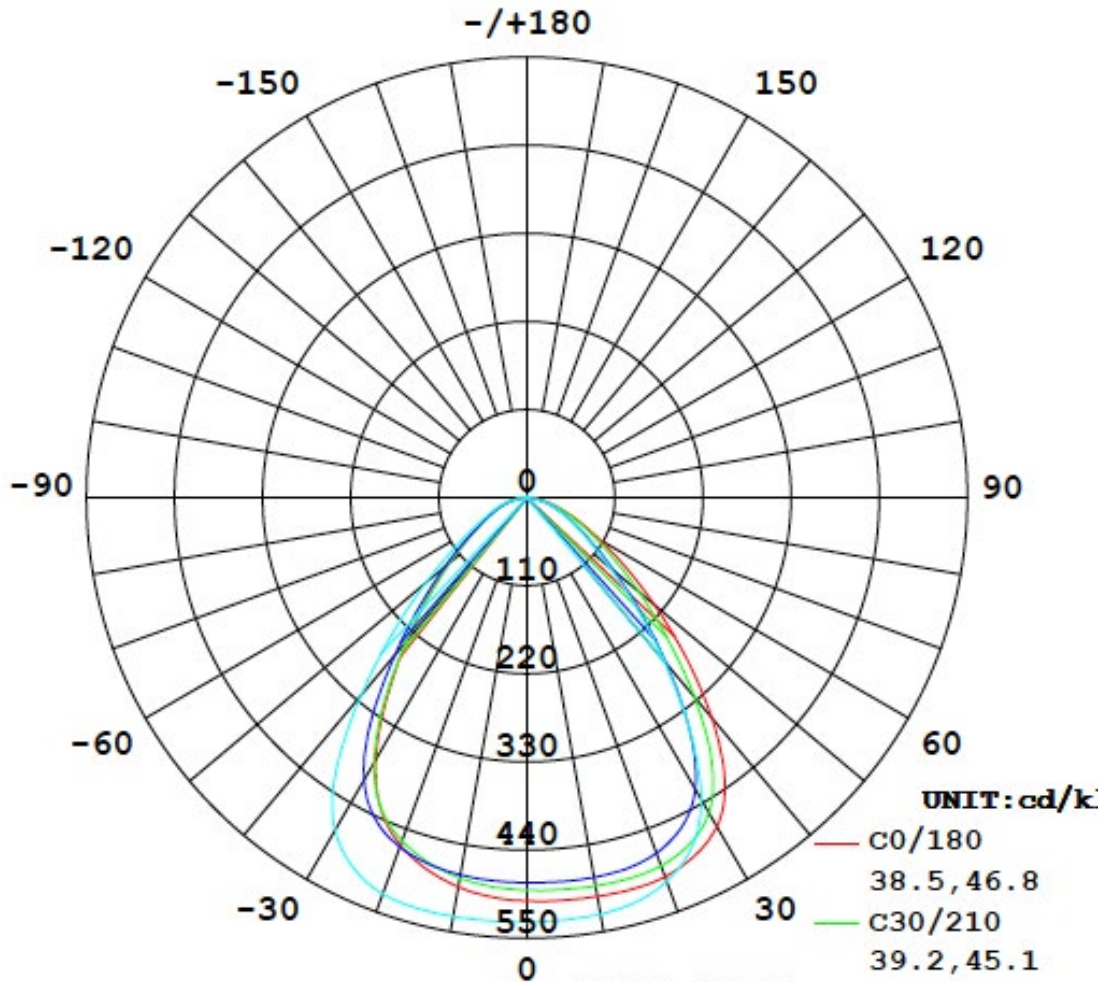
\* The temperature can impact the battery's charging and normal operation.

\* The solar charge time data is base on 77 degree F ambient temperature with the panel pointed directly at the solar radiation. The standard radiation value is 1000W/m<sup>2</sup>.

**SOLTAB 10W**

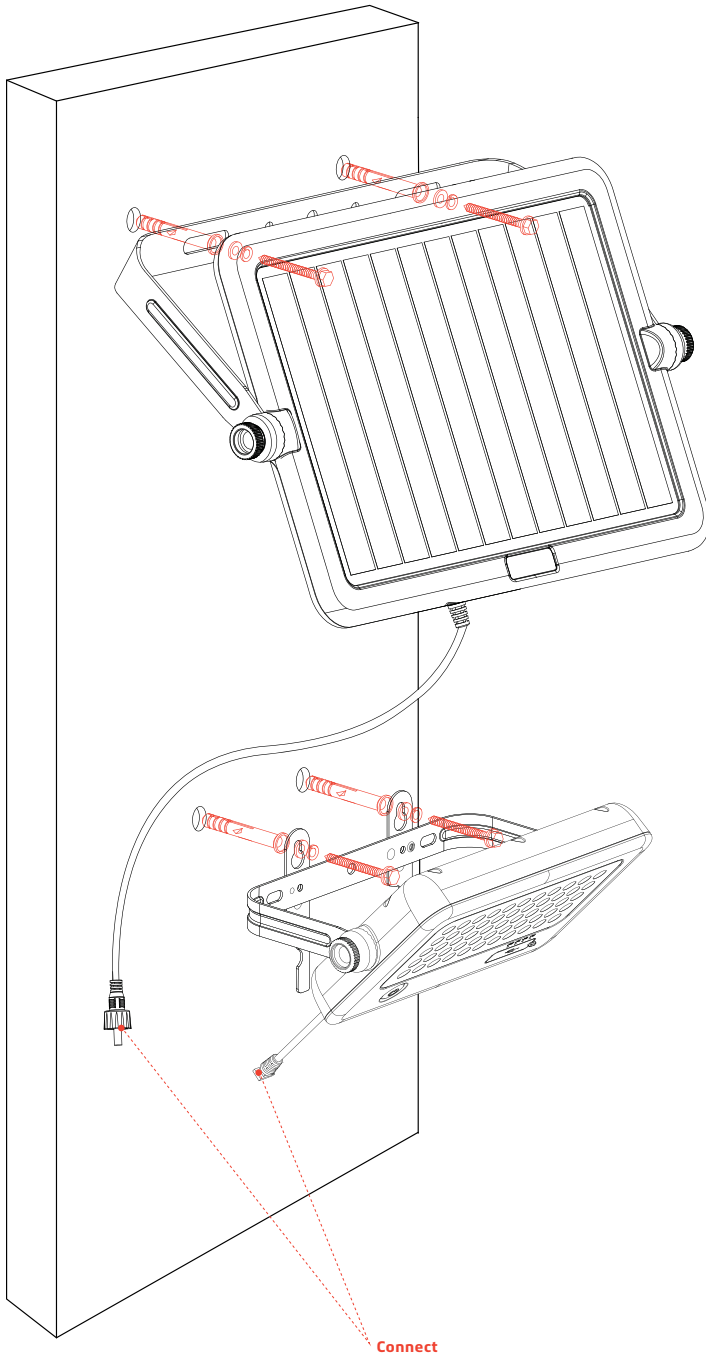
CATALOG	PROJECT	COMMENTS

IES / BEAM



SOLTAB

**INSTALLATION**



CATALOG		COMMENTS
PROJECT		
PREPARED BY		
DATE		

1. Take out all of the parts from the package. Confirm the installation location and wire length.
2. Use the card to mark hole positions, then drill 4 holes of 0.3 inch diameter and 2.4 inches depth.
3. Drive expansion screw into the holes leaving enough room to slide the brackets onto the screws. Then secure the Panel and Fixture.
4. Open the silicon cover at the bottom of the light, connect the cable from the solar panel to the cable from the light and screw together tightly.
5. Adjust the solar panel and LED light to the right angles according to the local latitude and the desired direction for the light.

## SOLTAB 10W

CATALOG		COMMENTS
PROJECT		
PREPARED BY		
DATE		


### REMOTE CONTROLS

ACCORDING TO THE CONNECTION OF THE LIGHT AND SOLAR PANEL, THE LAMP WILL AUTOMATICALLY RECOGNIZE THE SENSOR MODE & CONSTANT LIGHTING MODE & POWER BANK FUNCTION.

**Mode A: Constant Lighting Mode** (Lamp separate with Solar Panel)


*NOTE: Under this work model, the Radar sensor & Photocell induction will not work.*

#### Mode A 01

Press  1st time for 50% Constant Brightness.




#### Mode A 02

Press  for a 2nd time for 100% Constant Brightness.



#### Mode A 03

Press  for a 3rd time to turn off.

CATALOG		COMMENTS
PROJECT		
PREPARED BY		
DATE		

**REMOTE CONTROLS**

**Mode B: Sensor Mode** (Lamp body connected to Solar Panel)

*NOTE: Under this work mode, the lamp will automatically turn on at night and will turn off daytime.*


**Mode B 01**

Automatically turns on full brightness (1100lm) when motion is detected in range  $\leq 8m$  and then turns to 5% brightness in 20 seconds of no motion.


**Mode B 02**

Mode B2: Automatically turns on and remain 100% brightness(1100lm) for 5 hours. After 5 hours or when battery capacity < 30% it turns to back to Mode B1.


**Mode B 03**

Press  for a 3rd time to turn off.

**Additional Power Bank Function**




# SOLTAB 10W

CATALOG		COMMENTS
PROJECT		
PREPARED BY		
DATE		

### WARRANTY

SOLTAB products are covered by a 3 year limited warranty. SOLTAB urban light warrants to the original purchaser that this product is free from defects in materials and workmanship for the period of 3 years from date of purchase. To obtain warranty service please contact your local distributor or sales rep for further instruction.



1460 Park Avenue.  
Emeryville CA 94608 USA

[www.soltechlighting.com](http://www.soltechlighting.com)

SOLTECH LLC reserves the right to update all product data sheets at any time. Consult SOLTECH marketing specialists for publication updates at [hello@soltechlighting.com](mailto:hello@soltechlighting.com)

Copyright©20120-2021 SOLTECH LLC,  
All Rights Reserved.