

WMK WALL PACK LIGHT

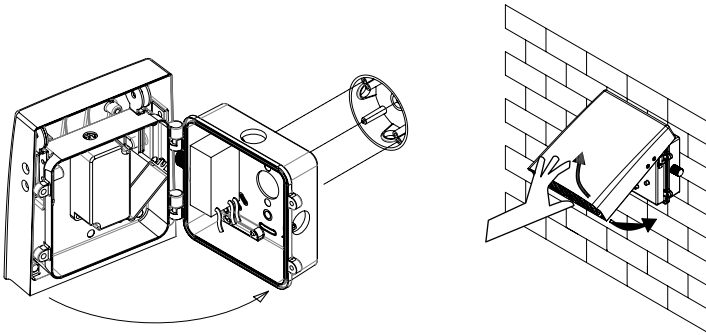
12W~120W **DLC**



TECHNICAL SPECIFICATIONS

HOUSING	ACD12 aluminum heat sink, Outdoor powder coating.
VOLTAGE	120-277V, 60Hz AC
LED	LumiLEDs
EFFICACY	110 LM/W
LUMENS@5000K	1,320-13,800 lumens
POWER FACTOR	>0.9
BEAM ANGLE	80X100°
THD	<20%
OPERATING TEMP	-4°F-104°F
ALUMINUM LED BOARD	High conductive, Waterproof, Aging resistance, Salt mist resistance, Long-life.
CONTROLS / DIMMING	0-10V Dimming
CCT	3000K, 4000K and 5000K
CRI	>70
RATED LIFE	70,000 hours

INSTALLATION DIAGRAM



PRODUCT NUMBER BUILDER

Example: STLWMK504WMBR

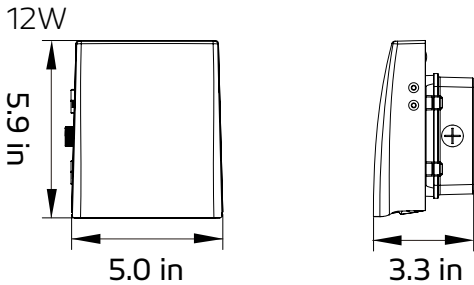
SOLTECH Wall Pack WMK 50 watt, 4000K, Wall mount installation, with a Bronze finish.

SERIES	WATT (W -8%~+5%)	COLOR TEMP (X)	MOUNTING OPTIONS (YY)	FINISH (ZZ)	VOLTAGE (V) (Blank)	OPTIC TYPE (Blank)	DIMMING (Blank)
STLWMK	12	3 =3000K	WM =WALL MOUNT	BR =BRONZE	120-277	80X100°	Non-Dimmable
	50	4 =4000K					0-10V/PWM/VR
	120	5 =5000K					

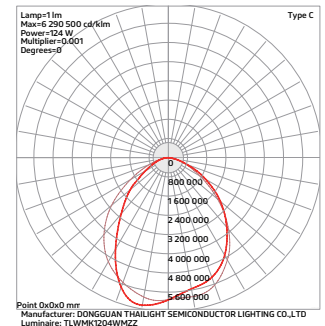
PRODUCT PARAMETER

MODEL	DIMENSION (in)	VOLTAGE (V)	WATT (W -8%~+5%)	LUMENS @ 5000K(Lm)	EFFICACY (Lm/w)	OPTIC TYPE	DIMMING
STLWMK12XYZZ	5.9X5.0X3.3 in	120-277	12	1,320	110	80X100°	Non-Dimmable
STLWMK50XYZZ	7.1X5.9X3.9 in	120-277	50	5,280	106	80X100°	Non-Dimmable
STLWMK120XYZZ	13.0X11.0X5.5 in	120-277	120	13,800	115	80X100°	0-10V/PWM/VR

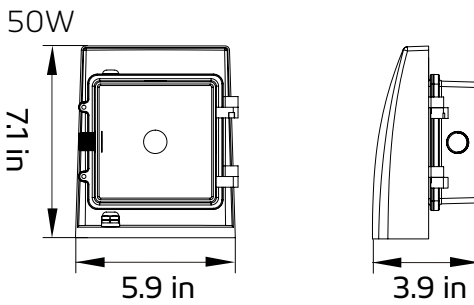
DIMENSIONAL DRAWING



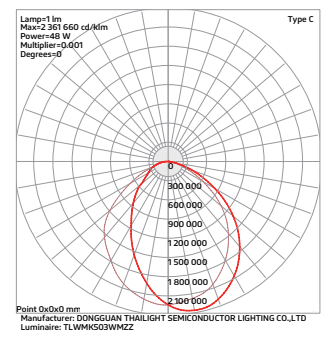
PHOTOMETRY



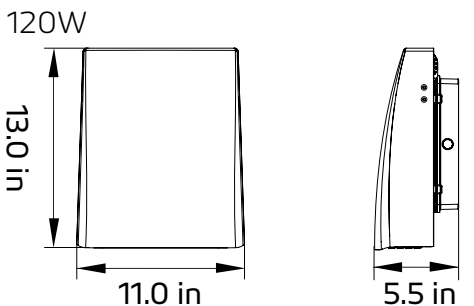
DIMENSIONAL DRAWING



PHOTOMETRY



DIMENSIONAL DRAWING



PHOTOMETRY

