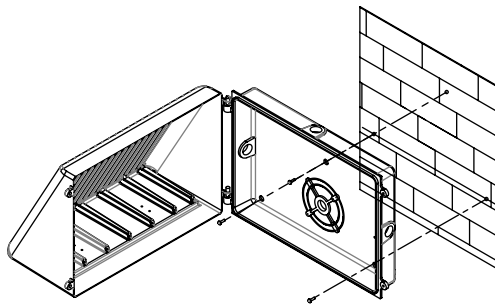


# WMJ WALL PACK LIGHT

50W~80W **DLC**



## INSTALLATION DIAGRAM



## PRODUCT NUMBER BUILDER

Example:STLWMJ504WMBR

SOLTECH Wall Pack WMJ 50 watt, 4000K, Wall mount installation, with a Bronze finish.

## TECHNICAL SPECIFICATIONS

HOUSING	ACD12 aluminum heat sink, Outdoor powder coating.
VOLTAGE	100-277V, 60Hz AC
LED	LumiLEDs
EFFICACY	110 LM/W
LUMENS@5000K	5,000-8,800 lumens
POWER FACTOR	>0.9
BEAM ANGLE	110X140°
THD	<20%
OPERATING TEMP	-4°F-104°F
ALUMINUM LED BOARD	High conductive, Waterproof, Aging resistance, Salt mist resistance, Long-life.
CONTROLS / DIMMING	0-10V Dimming
CCT	3000K, 4000K and 5000K
CRI	>70
RATED LIFE	70,000 hours

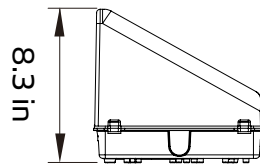
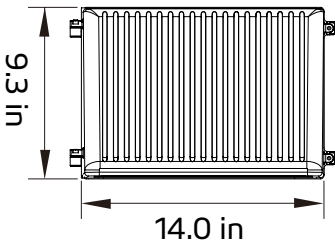
SERIES	WATT (W -8%~+5%)	COLOR TEMP (X)	MOUNTING OPTIONS (YY)	FINISH (ZZ)	VOLTAGE (V) (Blank)	OPTIC TYPE (Blank)	DIMMING (Blank)
STLWMJ	50	3=3000K	WM=WALL MOUNT	BR=BRONZE	100-277	110X140°	Non-Dimmable
	80	4=4000K					0-10V/PWM/VR
		5=5000K					

## PRODUCT PARAMETER

MODEL	DIMENSION (in)	VOLTAGE (V)	WATT (W -8%~+5%)	LUMENS @ 5000K(Lm)	EFFICACY (Lm/w)	OPTIC TYPE	DIMMING
STLWMJ50XYZZ	14.0X9.3X8.3 in	100-277	50	5,000	100	110X140°	Non-Dimmable
STLWMJ80XYZZ	14.0X9.3X8.3 in	100-277	80	8,800	110	110X140°	0-10V/PWM/VR

## DIMENSIONAL DRAWING

50W & 80W



## PHOTOMETRY

