



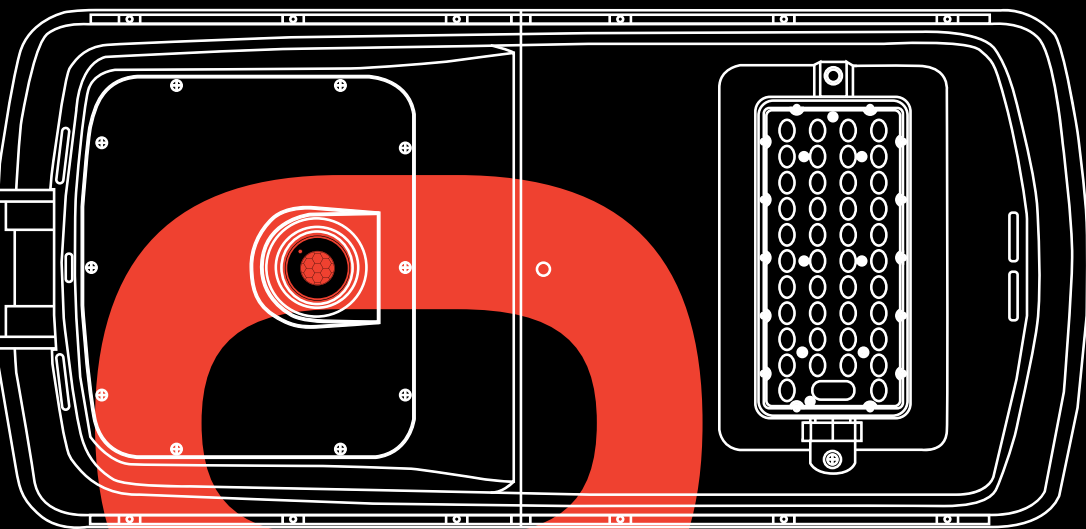
SUNLIKE

PRO

**30W
User Manual**

SOLTECH offers Advanced LED
Technology That Is Eco-friendly And
Utilizes Clean Energy.





SUNLIKE PRO 30W

Contents

01 Introduction	04
02 Specification	05
03 Luminous Distribution	06
04 Battery Notes	07
05 Installation and Wiring Compliance	08
06 Mounting Accessories	09
07 Installation	010
08 Panel Angle	012
09 Remote Control Guide	014

01 Introduction

Thank you for purchasing SUNLIKE PRO Urban Lighting Products.

Introduction

Outdoor solar lighting systems use solar cells which convert sunlight into electricity. Electricity is stored in batteries for use at night. Sunlike Pro solar lights are easy to install and virtually maintenance free. Using them won't increase your electric bill.

Important

In order to avoid deep discharge of the battery during storage, please fully recharge your battery every 4 months. Please make sure that the light is installed in an area with sufficient sunlight irradiance. A strict minimum of 3.5 hours/day of sunshine on average is recommended. Select the right operating mode according to the local legislation needs and the local sunshine conditions. Keep it away from shadows. Self-cleaning available when the light fixture have minimum angle of 15 degrees.

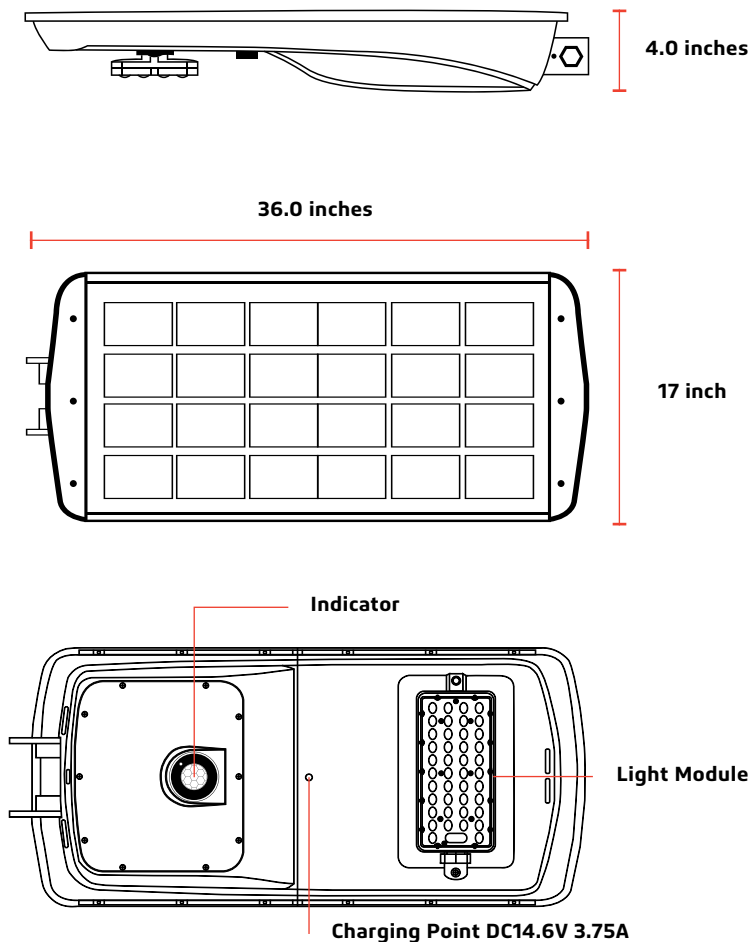
Please save these instructions. Read all of the instructions carefully before attempting to carry out any installation or wiring. Do not open or attempt to repair the product on your own, as it may cause serious damage and would void the product warranty. Contact your local distributor for any questions concerning the installation.

Range of the light module on the lighting fixture is 20–26 feet (6–8 meters). The ideal installation spacing is >16 feet (5 meters). When installing two or more lighting fixtures on one pole, select desired operating mode before installation. Interference can cause delay or malfunction when using the remote control to change operating modes after installation.

Precautions when working with solar panels

When the solar panel is exposed to sunlight, a voltage appears at the output terminals of the solar panel turning it into a source of electricity. To avoid a shock hazard, make sure the solar panel is covered with an opaque (dark) later such as paper or cloth during the installation. Do not make contact with the terminals when the panel is exposed to sunlight or any other light source.

SUNLIKE PRO 30W



02 Specification

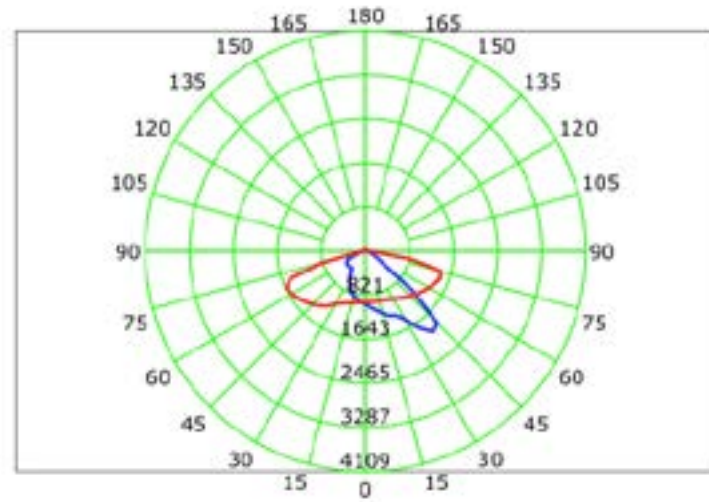
Specifications	SUNLIKE PRO 30W
LED Nominal Power	30W
Solar Panel	18V 52W
LiFePO ₄ Battery	320WH 12.8V 25AH Superior Battery
Weight	47.1 lbs
Lumen Output@5000K	6,000
EPA	6.26
Waterproof Rate	IP65
CRI	> 70
Casting	Aluminum
Efficiency@5000K	200 lm/W
LED Chip	Lumileds 5050 (215lm-CR>70)
* Charging Time	7hrs
Run Time (@Full Power)	10hrs
Operation Mode	Remote control and One-key Setting
Installation Height	9 to 20ft
* Operating Temperature	-40 °F to 140 °F
* Charging Temperature	-58 °F to 140 °F
Maximum Autonomy	
Motion Sensor Mode	40%–100% 25hrs 20%–80% 50hrs
Time Control Mode	Night Owl 23hrs Early Bird 20hrs
Constant Mode	100% 11hrs 70% 15hrs 40% 26hrs

* The temperature can impact the battery's charging and normal operation.

* The solar charge time data is based on 77 degree F ambient temperature with the panel pointed directly at the solar radiation. The standard radiation value is 1000W/m².

03 Luminous Distribution

SUNLIKE PRO 30W Type III



04 Battery Notes

1. Super Capacitor battery powered Sunlike lights are visibly brighter than other outdoor solar lights, and their performance overall is more reliable.
2. To charge the battery fully may take up 6 to 12 hours.
3. The rechargeable battery can work continuously for 10 hours at full power.
4. Output will be reduced to 40% when the battery is below 40% of its capacity.
5. Battery will stop charging when the ambient temperature is below -58°F or above 140°F.

ATTENTION

Battery cannot be replaced on your own. Please contact SOLTECH for any battery's questions.

After opening the SUNLIKE PRO 30W package, you will notice that the solar panel is covered, and the indicator is flashing every 5 seconds. It signifies that the fixture is in open circuit mode. Once the fixture is taken out of the package, and the solar panel is no longer covered, the SUNLIKE PRO 30W will automatically turn on, and the indicator will begin flashing every 2.5 seconds. The light head will then turn on for 1 minute and then shut off again. It means the fixture is switching from open circuit mode to standard working mode.

If you wish to shut off the light, you must first cover the solar panel. Then press the off button on the remote. You can also just press the off button to turn off the lights during the night. When the solar panel detects light, the fixture will activate and resume normal operation again.

Battery Status is indicated by the red/green indicator on the lighting fixture as follows:

- > Slow red light flashing (Every 2.5s) = Working
- > Slow red flashing (Every 5s) = Open circuit
- > Red light continuously on = Non-working
- > Quick red flashing (Every 0.5s) = Charge fault
- > Quick red flashing (Every 0.1s) = Over current or Short circuit


Storage

To avoid over discharge of the battery during storage, please recharge the lighting fixture every 4 months. Use the dedicated charger to charge, reset the switch when done.

(IAP) Intelligent Adaptive Program Battery Control Technology

In order to extend the off-grid autonomy of the SUNLIKE PRO 30W under shady trees, heavy rain, and thick clouds, our controllers now integrate an adaptive smart control feature to actively track battery capacity and adjust light output accordingly. Before integrating this feature, selecting a light output percentage on the remote would yield an accurate percentage of max LED brightness. Now with (IAP), the controller actively monitors the battery and regulates the electrical current to the LEDs. The controller makes light output of the selected percentage on the remote relative to battery capacity rather than max LED output. This smart-control feature can increase our off-grid performance by up to 40%.

05 Installation and Wiring Compliance

1. Installation and wiring must comply with the State and National Electrical Codes.
 2. The Sunlike Pro 30W model is intended for outdoor use only and should not be installed in an unventilated area, and shall be installed in an environment within the operational temperatures defined for the product.
 3. The average sunshine in the installation area should be above 3.5 hours/day in order to ensure full function of the lighting fixture. Avoid areas with shades.
 4. Before installation, if applicable, please ensure the light pole and its foundation are solid enough to withstand the lighting fixture(s).
 5. Before installation, please ensure that the battery is fully charged. Install during sunny days if possible.
 6. Before installation, please press the  ON/OFF key in the remote control and check whether it shows a red light on the indicator. Please cover the panel and check if the light module turns on normally within 1 minute.
- After Installation**
The lighting fixture will automatically turn on at night and turn off during daylight.

Important
Always orient the solar panel facing the equator (e.g. facing south if in northern hemisphere).
Always have a tilt angle of at least 15° to avoid dust accumulation (0°=horizontal plane).

Ordering Information Chart

Series	Wattage	Color Temperature	Mounting Options	Finish
STLSTCPRO=SUNLIKE PRO	30=30W 6000 Lumens	X=3=3000K X=4=4000K X=5=5000K X=6=5700K	YY=WM=Wall Mount YY=TRR=Trunnion Round YY=TRS=Trunnion Square YY=SF=Slip Fitter YY=SA=Straight Arm	ZZ=GY=Gray ZZ=BZ=Bronze

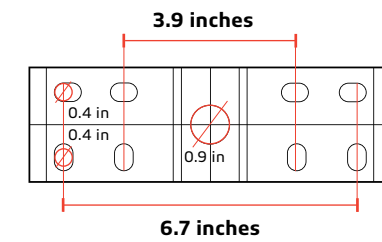
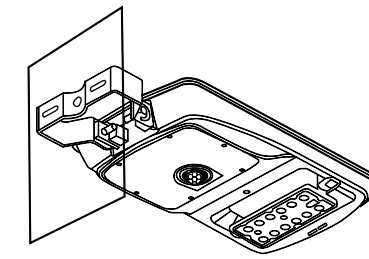
Sample Number: STLSTCPRO30XYZZ

For example: STLSTCPRO303TRSGY
This means the customer wants a SUNLIKE PRO 30 watt, 3000K CCT, wall mount installation, with a gray finish.

DO NOT send the sample number directly to our salers. Use the information in the chart above to create a model number with the correct series, wattage, temperature, mounting option, and finish for the product that you want.

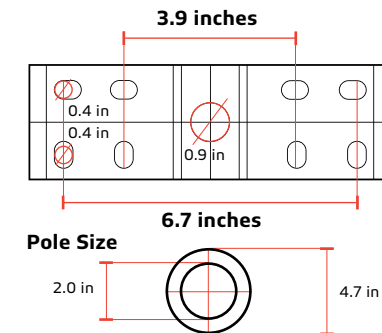
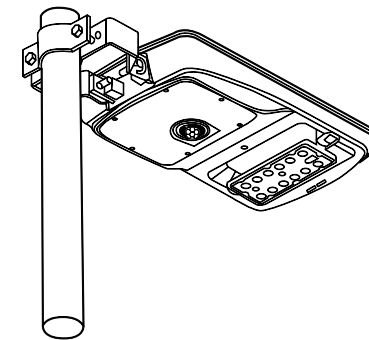
06 Mounting Accessories

A. TRUNNION—Wall Mount



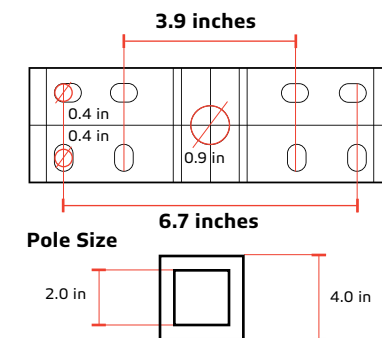
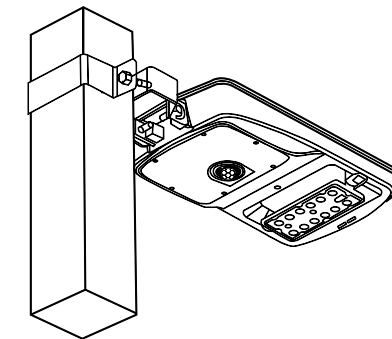
A-b. TLSTCP-WM-30W (for SUNLIKE PRO 30W)

B. TRUNNION—Round



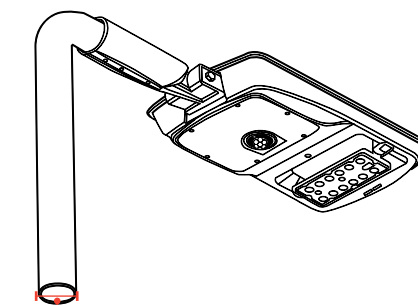
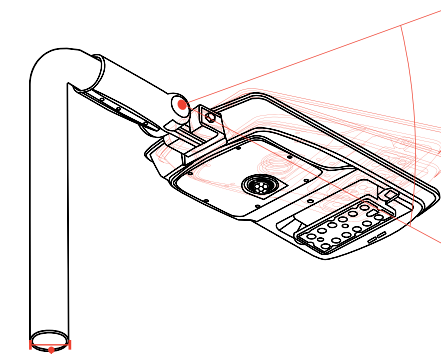
B-b. TLSTCP-TRR-30W (for SUNLIKE PRO 30W) works with 2.0 inches to 4.7 inches poles.

C. TRUNNION—Square



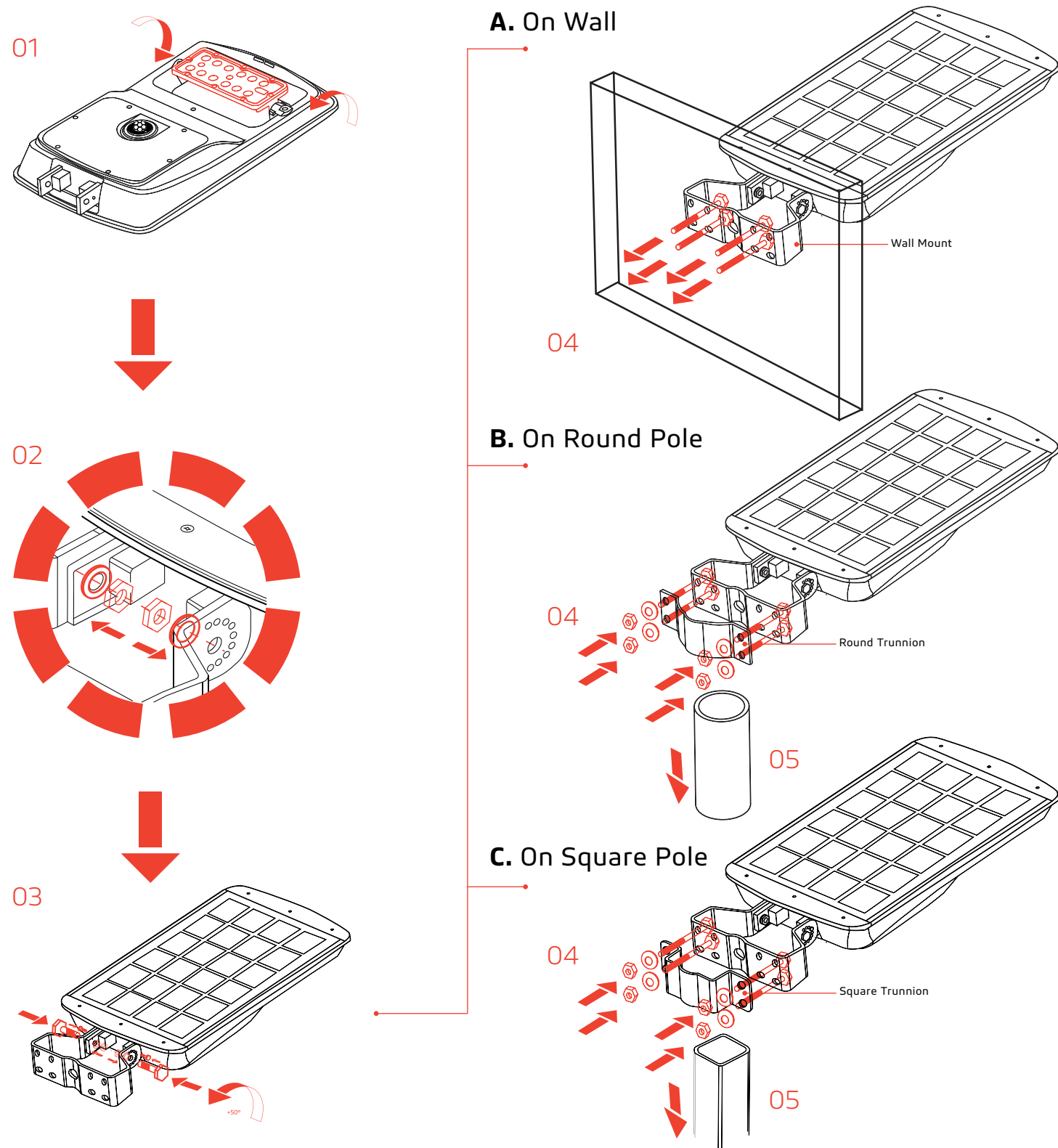
C-b. TLSTCP-TRS-30W (for SUNLIKE PRO 30W) works with 2.0 inches to 4.0 inches poles.

D. SLIP FITTER—Rotative AND STRAIGHT ARM

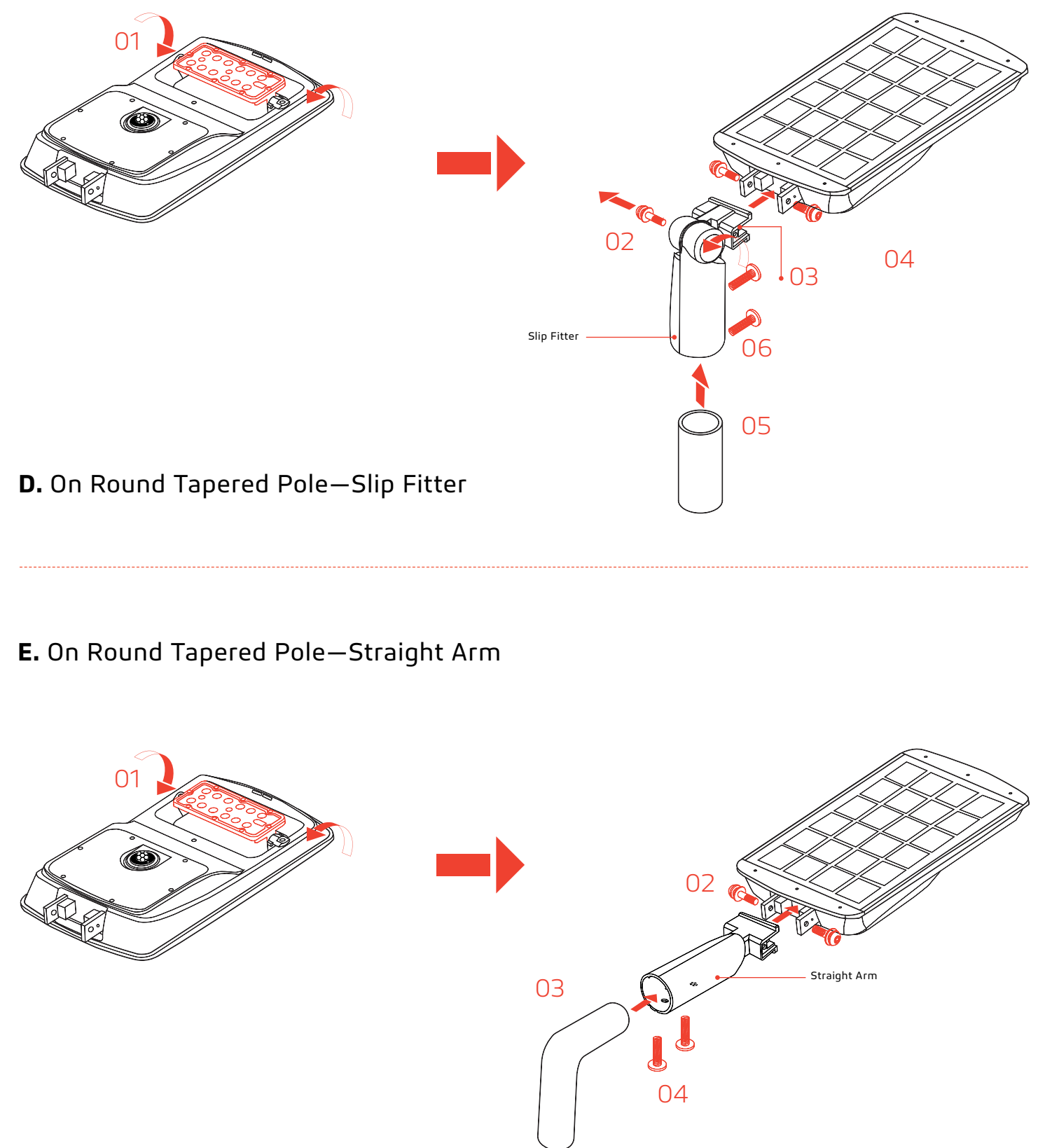


07 Installation

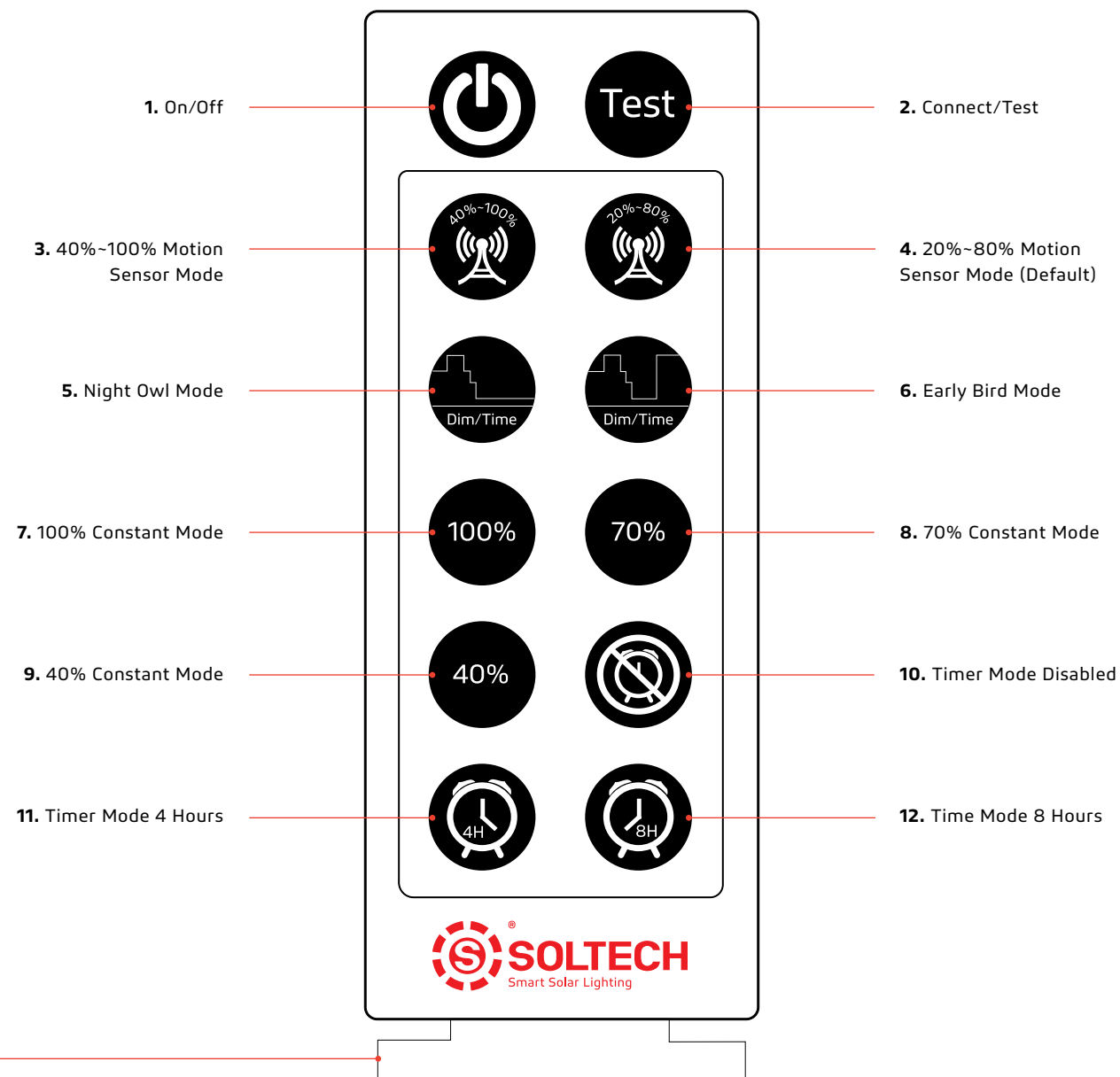
Trunnion Mount



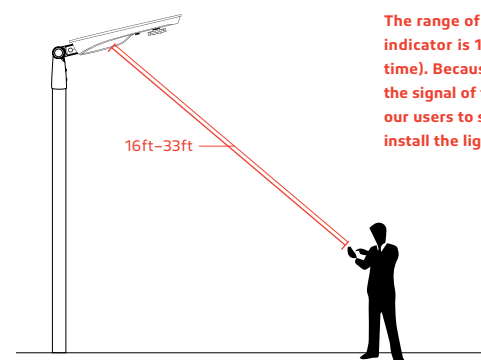
Slip Fitter and Straight Arm



09 Remote Control Guide



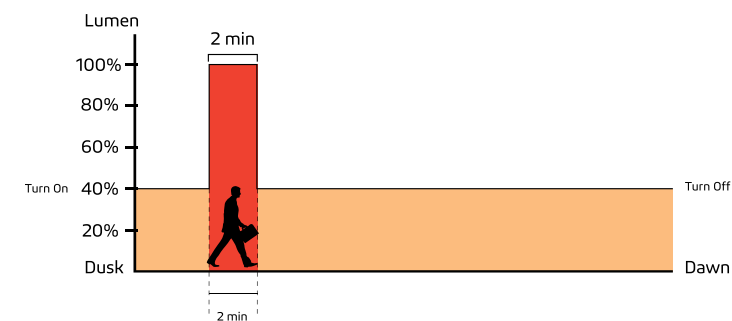
When using the remote for the first time, please remove the plastic piece at the bottom to make the remote turn on.



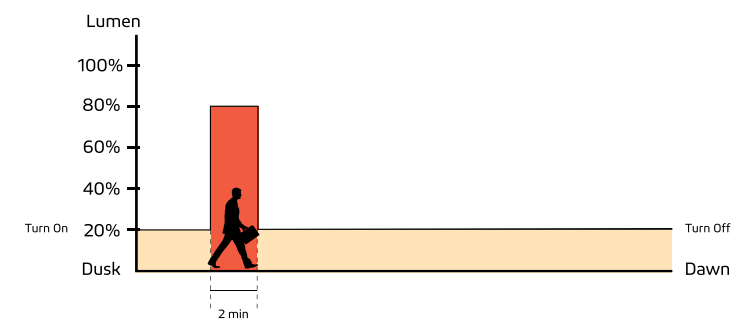
The range of the remote control to the indicator is 16ft (Day time) to 33ft (Night time). Because the sunlight will impact the signal of the remote control, we suggest our users to setup the mode before they install the light.

- 1. On/Off**
When off is selected, the light will stop working. The solar panel will not charge the battery and the battery will not supply electricity to the light.
- 2. Connect/Test**
Remote control device can be connected with any lighting fixture, one at a time. To connect, press the button once. It also functions as a test button. To test, press the "Test" button once, the red light will indicate the fixture is charging, green light indicates that the fixture is operating. Testing lasts for 10 seconds, and then it goes back to the mode previously in use.

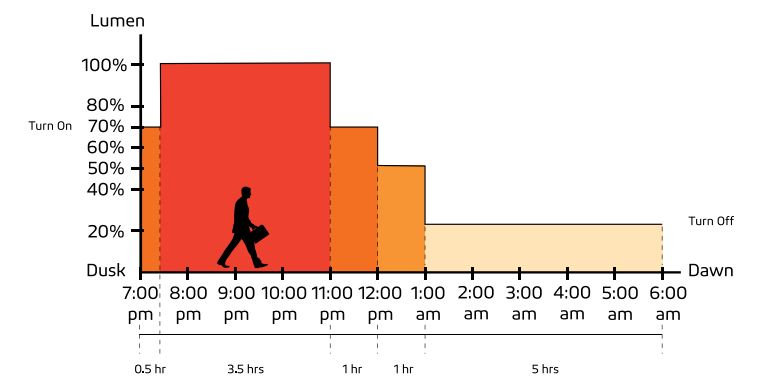
3. 40%-100% Motion Sensor Mode
Constant 40% brightness (turns on at dusk, turns off at dawn); 100% brightness turns on for 2 minutes when motion is detected.



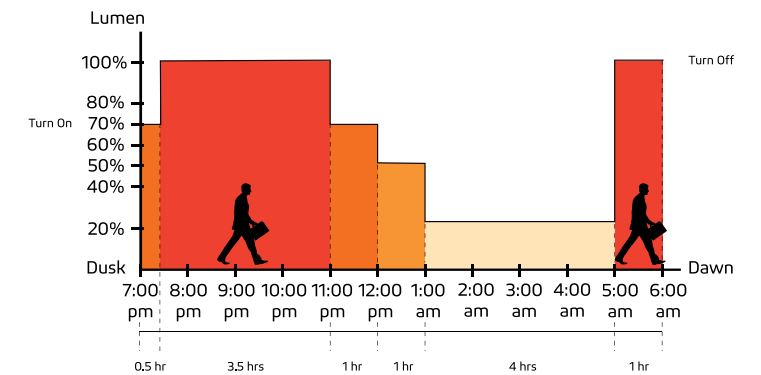
4. 20%-80% Motion Sensor Mode (Default)
Constant 20% brightness (turns on at dusk, turns off at dawn); 80% brightness turns on for 2 minutes when motion is detected.



5. Night Owl Mode
Changes as natural light decreases/increases (turns on at dusk); 70% brightness for 0.5 hour, 100% brightness for 3.5 hours, 70% brightness for 1 hour, 50% brightness for 1 hour, 20% brightness for 5 hours (turns off at Dawn).



6. Early Bird Mode
Changes as natural light decreases/increases with increased brightness near dawn for early risers (turns on at dusk); 70% brightness for 0.5 hour, 100% brightness for 3.5 hours, 70% brightness for 1 hour, 50% brightness for 1 hour, 20% brightness for 4 hours, 100% brightness for 1 hour (turns off at Dawn).



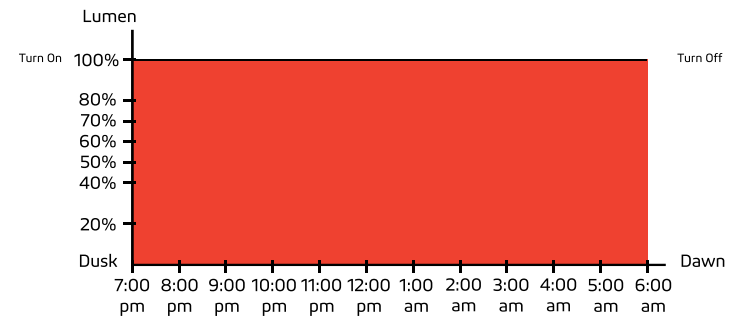
(IAP) Intelligent Adaptive Program Battery Control Technology
In order to extend the off-grid autonomy of the SUNLIKE PRO 30W under shady trees, heavy rain, and thick clouds, our controllers now integrate an adaptive smart control feature to actively track battery capacity and adjust light output accordingly. Prior to including this feature, selecting a light output percentage on the remote determined the constant percentage of max LED brightness. Now with (IAP), the controller actively monitors the battery and regulates the electrical current to the LEDs. The controller now applies the selected percentage output on the remote to the battery capacity, rather than the max LED output. This smart-control feature can increase our off-grid performance by up to 40%.

Important
Dust and dawn time may be different in other locations and seasons. The sensors of our products will follow the light patterns of where it is installed. The time period shown in the chart above is just an example to help you understand the different lighting modes only.

09 Remote Control Guide

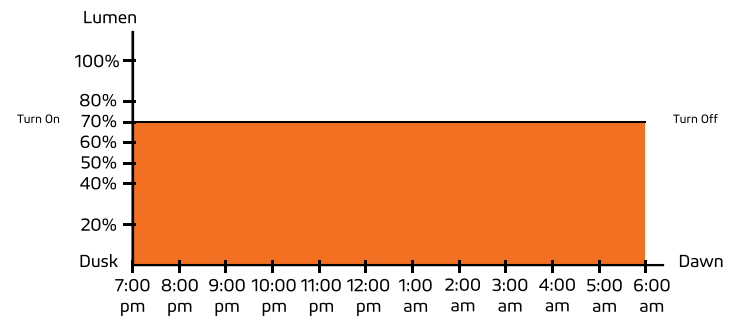
7. 100% Constant Mode

100% brightness from dusk to dawn.



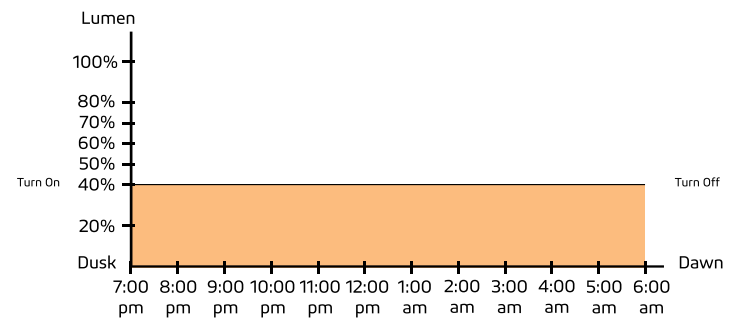
8. 70% Constant Mode

70% brightness from dusk to dawn.



9. 40% Constant Mode

40% brightness from dusk to dawn.

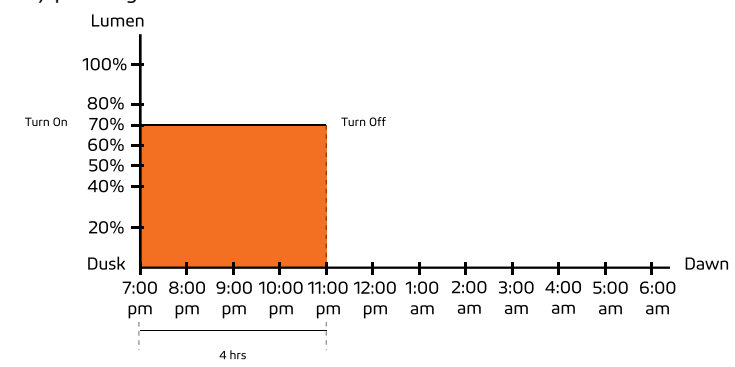


10. Timer Mode Disabled

Press this button to turn off Timer Mode; settings revert back to before Timer Mode was last activated.

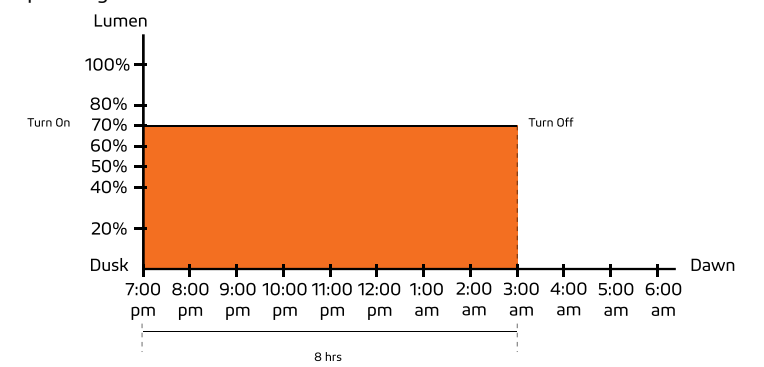
11. Timer Mode 4 Hours

This is an additional mode which can work with any other modes. For example: press this button at any time after you turn on 70% Constant Mode. If the light turns on at 7pm at dusk, it will turn off at 11pm. It will repeat the same schedule hereafter until it is canceled by pressing Timer Mode Disabled.



12. Time Mode 8 Hours

This is an additional mode which can work with any other modes. For example: press this button at any time after you turn on 70% Constant Mode. If the light turns on at 7pm at dusk, it will turn off at 3am. It will repeat the same schedule hereafter until it is canceled by pressing Timer Mode Disabled.



Important

Dust and dawn time can vary for different locations and seasons. The sensors in our products will monitor the light levels where it is installed. The time period shown in the chart above is just an example to help you understand the different lighting modes.

SUNLIKE PRO products are covered by a 5 year limited warranty. SUNLIKE PRO urban light warrants to the original purchaser that this product is free from defects in materials and workmanship for the period of 5 years from date of purchase. To obtain warranty service please contact your local distributor or sales rep for further instruction.



1460 Park Avenue.
Emeryville CA 94608 USA

www.soltechlighting.com

SOLTECH LLC reserves the right to update all product data sheets at any time. Consult SOLTECH marketing specialists for publication updates at hello@soltechlighting.com

*Copyright©20120-2021 SOLTECH LLC,
All Rights Reserved.*

**SOLTECH offers
advanced LED
technology that is
eco-friendly and
utilizes clean energy.**