

CLE CANOPY LIGHT

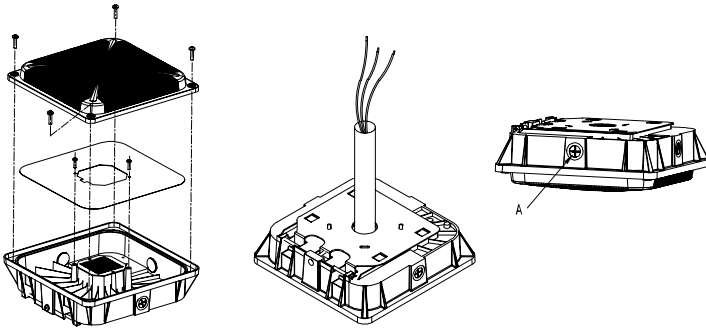
25W~75W **DLC PREMIUM**



TECHNICAL SPECIFICATIONS

| | |
|---------------------------|---|
| HOUSING | ACD12 aluminum heat sink, Outdoor powder coating. |
| VOLTAGE | 120-277V, 50-60Hz AC |
| LED | LumiLEDs |
| EFFICACY | 120 LM/W |
| LUMENS@5000K | 2880-9,000 lumens |
| POWER FACTOR | >0.9 |
| BEAM ANGLE | 140° X 140° |
| THD | <20% |
| OPERATING TEMP | -40°F-122°F |
| ALUMINUM LED BOARD | High conductive, Waterproof, Aging resistance, Salt mist resistance, Long-life. |
| CONTROLS / DIMMING | 1-10V Dimming |
| CCT | 4000K and 5000K |
| CRI | >80 |
| RATED LIFE | 70,000 hours |

INSTALLATION DIAGRAM



PRODUCT NUMBER BUILDER

Example:STLCLE254CLBR

SOLTECH CLE Canopy Light 25 watt, 4000k, Ceiling installation, with a Bronze finish.

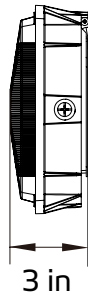
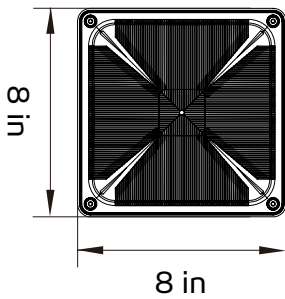
| SERIES | WATT (W -8%~+5%) | COLOR TEMP (X) | MOUNTING OPTIONS (YY) | FINISH (ZZ) | VOLTAGE (V) (Blank) | OPTIC TYPE (Blank) | DIMMING (Blank) |
|---------------|---------------------|----------------------|-----------------------------|-------------------|---------------------------|--------------------------|--------------------|
| STLCLE | 25 | 4 =4000K | CL =CEILING | BR =BRONZE | 100-277 | 140° X 140° | 1-10V DIMMING |
| | 40 | 5 =5000K | PD =PENDANT | | | | |
| | 75 | | | | | | |

PRODUCT PARAMETER

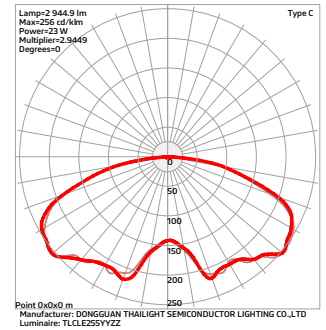
| MODEL | DIMENSION (in) | VOLTAGE (V) | WATT (W -8%~+5%) | LUMENS @ 5000K(Lm) | EFFICACY (Lm/w) | OPTIC TYPE | DIMMING |
|--------------|----------------|-------------|------------------|--------------------|-----------------|------------|--------------|
| STLCLE25XYZZ | 8X8X3 in | 120-277 | 25 | 2,880 | 115 | 140°X140° | 1-10V/PWM/VR |
| STLCLE40XYZZ | 8X8X3 in | 120-277 | 40 | 4,800 | 120 | 140°X140° | 1-10V/PWM/VR |
| STLCLE75XYZZ | 10X10X3.3 in | 120-277 | 75 | 9,000 | 120 | 140°X140° | 1-10V/PWM/VR |

DIMENSIONAL DRAWING

25W, 40W



PHOTOMETRY



DIMENSIONAL DRAWING

75W

