

LED CANOPY LIGHT

CLD MODEL

DESCRIPTION

The **SOLTECH CANOPY LIGHTS** deliver powerful lighting in a sleek form factor ideal for parking garage and canopy applications. The luminaire is available with visual comfort optics that distribute light through a non-pixelated light source, resulting in uniform, eye-pleasing illumination with minimal glare. Simple-to-mount features enable one person to complete the installation, while exceptional lumen maintenance translates to years of energy and labor cost savings. Bringing an extraordinary blend of performance, value and aesthetics to otherwise ordinary spaces, the Canopy Lights are part of a full architectural family that includes Wall Pack, Area, and Flood lights.

APPLICATIONS:

Airport, auto dealership, corporate/office, education, government, healthcare, industrial and warehouse, municipal, parking, gas station and convenience stores, recreation and public venues, restaurants and hospitality, retail and grocery.



FEATURES

PERFORMANCE:

Perfect for both retrofits and new projects, it allows an ideal usage mainly used in places that need coverage while maintaining constant stream of light spread through the night.

Available in varying ranges:

- 120W
- 150W

Lumens are 16,600 to 21,000 lumens

HOUSING:

ADC12 aluminum heat sink, outdoor powder coat finish, and waterproof design.

FINISHES:

The CLD is available in:

- **WH**= White

MOUNTING:

Latch design allows easy one person installation with the mounting plate. Standard adapter plate included for junction box mounting.

PHOTOMETRICS:

Please see page 3 for photometric layouts.

All of our IES files will be available at www.soltechlighting.com

OPTICAL LENS:

High light transmittance PC>=95%, UV and fire resistant.

ELECTRICAL:

100-277V, 50/60Hz, PF>=0.9, THD<20%

LED:

LUMILEDS (LED), CRI>70, Low degradation adhesive applied to the LED soldering position on the PCB, for added protection.

CERTIFICATIONS:

UL Listed, DLC Listed. All components used are UL approved. IP65 rated.

WARRANTY:

5-year limited warranty. See complete warranty terms for details.

Warranty Guidelines include but are not limited to:

- Product must be rated for the application per the Product Data Sheet (PDS)
- Operated ≤16 hrs/day;
- In ambient of -40°F-122°F.

ADDITIONAL INFORMATION:

High lumen efficacy of up to 140LM/W.

Operating Temperature:

-40° ~ 122°F, 10KV surge protection.

More information provided at www.soltechlighting.com/support

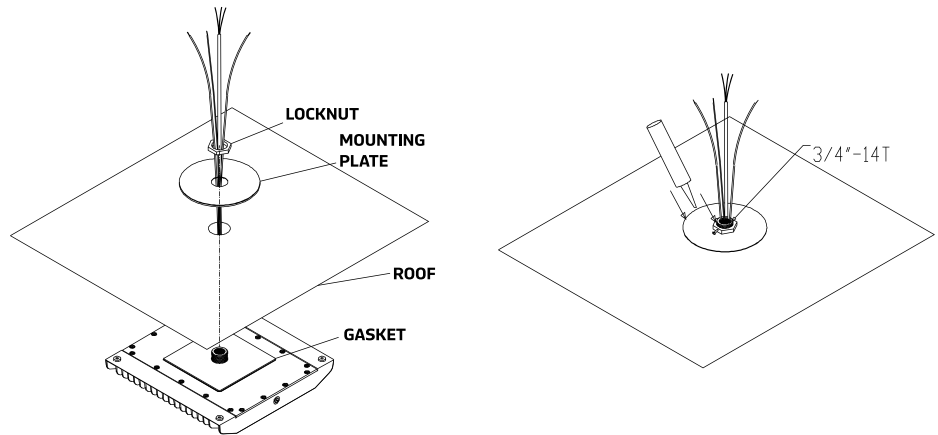
LED CANOPY LIGHT

CLD MODEL

SUMMARY

HOUSING	ACD12 aluminum heat sink, Outdoor powder coating.
VOLTAGE	100-277V, 50-60Hz AC
LED	LumiLEDs
EFFICACY	140 LM/W
LUMENS@5000K	16,600-21,000 lumens
POWER FACTOR	>0.9
BEAM ANGLE	100° X 100°
THD	<20%
OPERATING TEMP	-40°F-122°F
ALUMINUM LED BOARD	High conductive, Waterproof, Aging resistance, Salt mist resistance, Long-life.
CONTROLS / DIMMING	0-10V Dimming
CCT	4000K and 5000K
CRI	>70
RATED LIFE	70,000 hours

INSTALLATION DIAGRAM



ENERGY PERFORMANCE DATA

MODEL	DIMENSION (in)	VOLTAGE (V)	WATT (W -8%~+5%)	LUMENS @ 5000K(Lm)	EFFICACY (Lm/w)
STLCLD120XYZZ	16.0X16.0X2.2 in	100-277	120	16,600	150
STLCLD150XYZZ	16.0X16.0X2.2 in	100-277	150	21,000	150

ORDERING INFORMATION:

Sample Number: STLCLD1204CLWH

SOLTECH CLD Canopy Light 120 watt, 4000K, Ceiling installation, with a White finish.

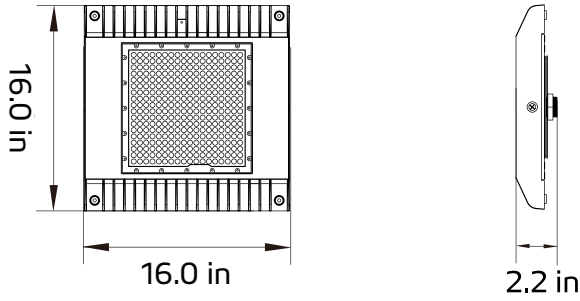
SERIES	WATT (W -8%~+5%)	COLOR TEMP (x)	MOUNTING OPTIONS (yy)	FINISH (zz)	VOLTAGE (V) (Blank)	OPTIC TYPE (Blank)	DIMMING (Blank)
STLCLD	120	4=4000K	CL=CEILING	WH=WHITE	100-277	100° X 100°	1-10V DIMMING
	150	5=5000K					

LED CANOPY LIGHT

CLD MODEL

DIMENSIONAL DRAWING

120W & 150W



PHOTOMETRICS:

