

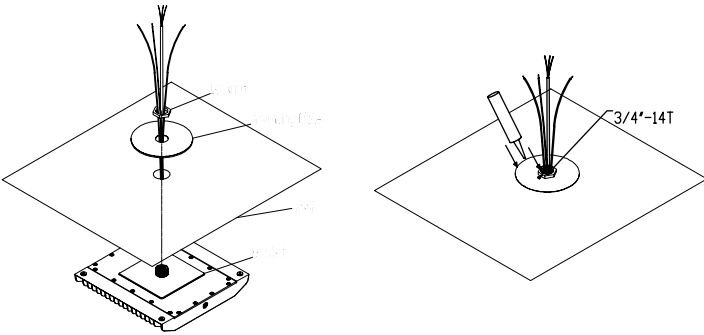
# CLD CANOPY LIGHT

120W~150W **DLC PREMIUM**



Occupancy  
Microwave  
Sensor Option

## INSTALLATION DIAGRAM



## PRODUCT NUMBER BUILDER

Example:STLCLD1204CLWH

SOLTECH CLD Canopy Light 120 watt, 4000k, Ceiling installation, with a White finish.

## TECHNICAL SPECIFICATIONS

<b>HOUSING</b>	ACD12 aluminum heat sink, Outdoor powder coating.
<b>VOLTAGE</b>	100-277V, 50-60Hz AC
<b>LED</b>	LumiLEDs
<b>EFFICACY</b>	140 LM/W
<b>LUMENS@5000K</b>	16,600-21,000 lumens
<b>POWER FACTOR</b>	>0.9
<b>BEAM ANGLE</b>	100° X 100°
<b>THD</b>	<20%
<b>OPERATING TEMP</b>	-40°F-122°F
<b>ALUMINUM LED BOARD</b>	High conductive, Waterproof, Aging resistance, Salt mist resistance, Long-life.
<b>CONTROLS / DIMMING</b>	1-10V Dimming
<b>CCT</b>	4000K and 5000K
<b>CRI</b>	>70
<b>RATED LIFE</b>	70,000 hours

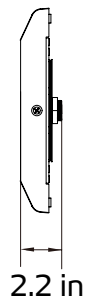
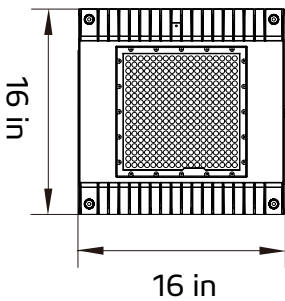
SERIES	WATT (W -8%~+5%)	COLOR TEMP (X)	MOUNTING OPTIONS (YY)	FINISH (ZZ)	VOLTAGE (V) (Blank)	OPTIC TYPE (Blank)	DIMMING (Blank)
<b>STLCLD</b>	120	<b>4=4000K</b>	<b>CL=CEILING</b>	<b>WH=WHITE</b>	100-277	100° X 100°	1-10V DIMMING
	150	<b>5=5000K</b>					

## PRODUCT PARAMETER

MODEL	DIMENSION (in)	VOLTAGE (V)	WATT (W -8%~+5%)	LUMENS @ 5000K(Lm)	EFFICACY (Lm/w)	OPTIC TYPE	DIMMING
STLCLD120XYZZ	16X16X2.2 in	100-277	120	16,600	150	100°X100°	1-10V/PWM/VR
STLCLD150XYZZ	16X16X2.2 in	100-277	150	21,000	150	100°X100°	1-10V/PWM/VR

## DIMENSIONAL DRAWING

120W & 150W



## PHOTOMETRY

