

SUNLIKE

Solar Area Lights

SUNLIKE reduces total cost of ownership, and delivers big performance. This fully-integrated LED solar streetlight is designed for both residential and commercial areas, in four different lumen outputs: 1600lm, 4000lm, 6000lm, and 9,000lm. SUNLIKE also provides superior quality light over a greater area. SUNLIKE features an integrated solar array, battery, and LED fixture with simple mounting, for fast and easy installation. SUNLIKE eliminates trenching, cabling, and electricity costs.



For more information, please visit our website:
www.soltechlighting.com

APPLICATIONS

8W, 20W, 30W, 50W **SUNLIKE Area Lights**

This economical, easily-installed, off-grid lighting solution is ideal for areas such as pathways, parking lots, landscaping, parks, schools, trails, or any remote locations that have no access to conventional power.



Pittsburg Bart Station
Pittsburg CA, USA
Pathway Security Lighting Project



VA Medical Center
Sacramento CA, USA
Parking Lots Lighting Project



Kimberly. Clark Company
Costa Rica
Parking Lots Lighting Project



Wonderful Solar Company
Delano CA, USA
Road Lighting Project

FEATURES

8W, 20W, 30W, 50W **SUNLIKE Area Lights**



50+ Hours Max Autonomy

- UP to 691 WH battery capacity
- Full self-charging time less than 11 hrs
- One-key smart programing



High Brightness, Smart Power Consumption

- >200lm/W—the highest efficiency in the industry
- Microwave motion sensor and one-key automatic dimming
- Automatically switches to 40% energy saving mode during low battery capacity



Complete Universality

- 6 different mounting options
- Designed for round pole, square pole and wall pack applications
- Acts as a solar flood light



Greater Energy Production

- Up to 115W Mono Crystalline Solar Panel
- Adjustable angle for the fixture head allows maximum solar collection and self-cleaning of the solar panel surface



Longer Life

- Grade A LifePO₄ Battery Pack, 2000+ full charging cycles
- Lumileds 5050 LED chips



Low Maintenance Design

- Field-replaceable battery functionality via quick connections
- Die cast A380 aluminum fixture housing is rust free
- 10+ year warranty options for city utility projects

SUNLIKE
50W

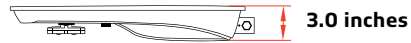
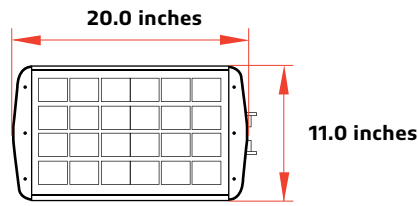


SUNLIKE
8W, 20W, 30W

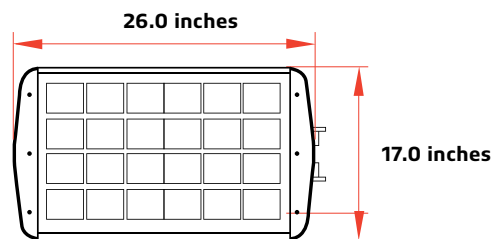


DIMENSIONAL DRAWINGS

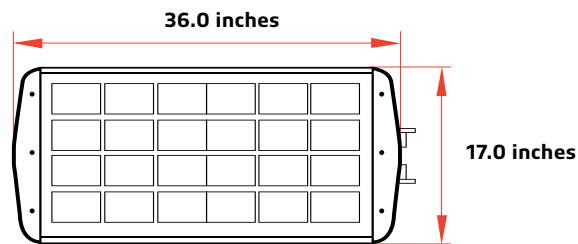
SUNLIKE 8W



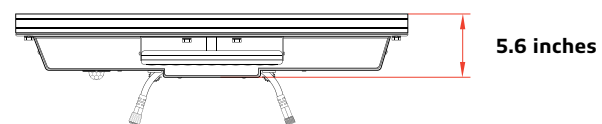
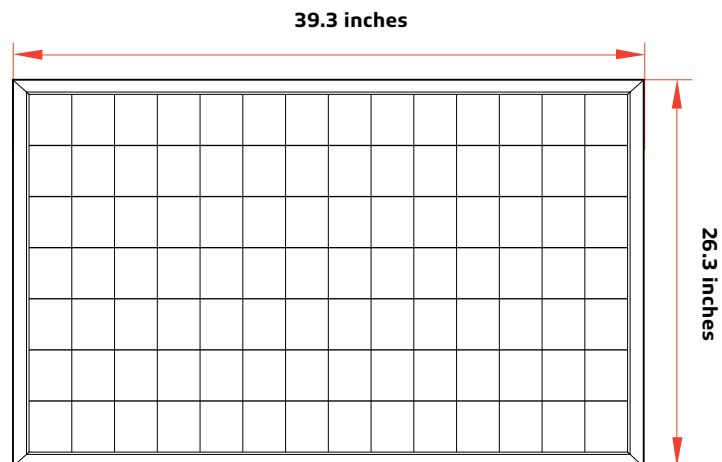
SUNLIKE 20W



SUNLIKE 30W



SUNLIKE 50W



DESIGN & PERFORMANCE

8W, 20W, 30W, 50W SUNLIKE Area Lights

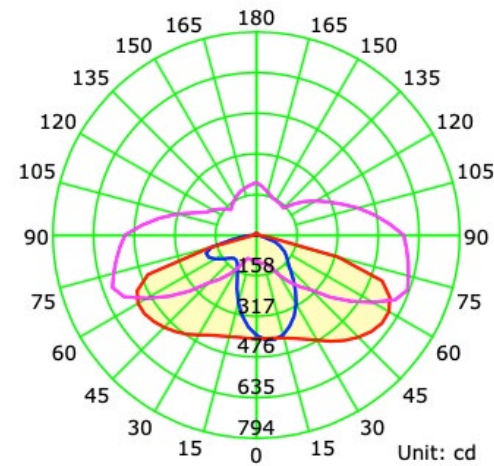
Affordable and user-friendly, SUNLIKE luminaires are perfect for a wide range of applications, including schools, parks, parking lots and pathways. Constructed of corrosion-resistant aluminum, it's low-profile, fully-integrated design is both easy to install and attractive. SUNLIKE is available in four lumen packages.

SPECIFICATIONS	SUNLIKE 8W	SUNLIKE 20W	SUNLIKE 30W	SUNLIKE 50W
LED NOMINAL POWER	8	20	30	50
SOLAR PANEL	18V 17W	18V 36W	18V 52W	18V 115W
LiFePO ₄ BATTERY	115WH 12.8V 9AH	256WH 12.8V 20AH	384WH 12.8V 30AH	691WH 12.8V 54AH
WEIGHT	11.7 Lbs	21.4 Lbs	29.8 Lbs	58.7 Lbs
LUMEN OUTPUT@5000K	1,600	4,000	6,000	9,000
EPA	2.67	4.75	6.26	8.62
IP RATING	IP65	IP65	IP65	IP65
CRI	CRI > 70	CRI > 70	CRI > 70	CRI > 70
CASTING	ALUMINUM	ALUMINUM	ALUMINUM	ALUMINUM
EFFICIENCY@5000K	200 LM/W	200 LM/W	200 LM/W	180 LM/W
LED CHIP	Lumileds 5050 (215 LM-CR>70)	Lumileds 5050 (215 LM-CR>70)	Lumileds 5050 (215 LM-CR>70)	Lumileds 5050 (210 LM-CR>70)
* CHARGING TIME	7 Hrs	7 Hrs	7 Hrs	11 Hrs
RUN TIME (@FULL POWER)	10 Hrs	10 Hrs	10 Hrs	13 Hrs
OPERATION MODE	REMOTE CONTROL AND ONE-KEY SETTING	REMOTE CONTROL AND ONE-KEY SETTING	REMOTE CONTROL AND ONE-KEY SETTING	REMOTE CONTROL AND ONE-KEY SETTING
INSTALLATION HEIGHT	6 to 13 ft	9 to 16 ft	9 to 20 ft	9 to 20 ft
* OPERATING TEMPERATURE	-4 °F to 122 °F	-4 °F to 122 °F	-4 °F to 122 °F	-4 °F to 122 °F
* CHARGING TEMPERATURE	32 °F to 149 °F	32 °F to 149 °F	32 °F to 149 °F	32 °F to 149 °F

* The temperature can impact the battery's charging and normal operation. If your site's temperature is under 32°F, we advise you to use the Sunlike Pro model to achieve better lighting results.
 * The solar charge time data is base on 77 degree F ambient temperature with the panel pointed directly at the solar radiation. The standard radiation value is 1000W/m².

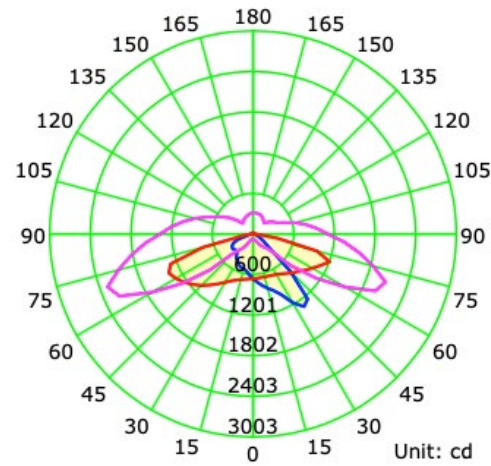
PHOTOMETRY

SUNLIKE 8W



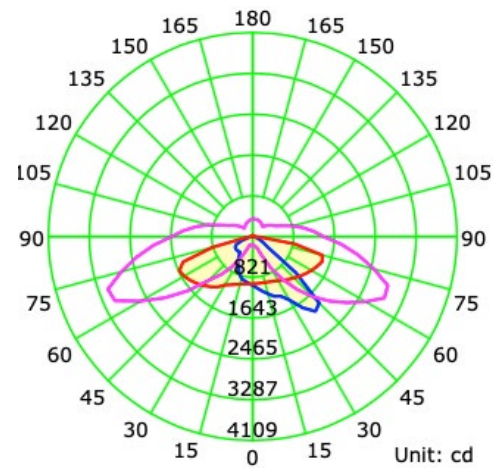
— C0-C180 — C90-C270 — G65

SUNLIKE 20W



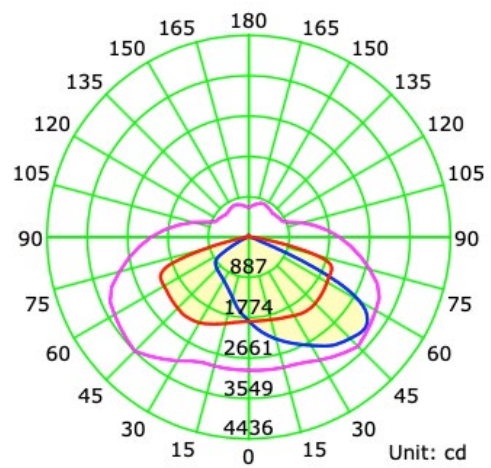
— C0-C180 — C90-C270 — G65

SUNLIKE 30W



— C0-C180 — C90-C270 — G65

SUNLIKE 50W



— C0-C180 — C90-C270 — G59

PRODUCT NUMBER BUILDER

Example: TLSTC0083TR5GY

This example product number is for SUNLIKE 8 watt, 3000K CCT, wall mount installation, with a gray finish.

SERIES	WATTAGE	COLOR TEMPERATURE	MOUNTING OPTIONS	FINISH
TLSTC=SUNLIKE	008=8W 1600 LUMENS 020=20W 4000 LUMENS 030=30W 6000 LUMENS 050=50W 9000 LUMENS	X=3=3000K X=4=4000K X=5=5000K X=6=5700K	YY=WM=WALL MOUNT YY=TRR=TRUNNION ROUND YY=TRS=TRUNNION SQUARE YY=SF=SLIP FITTER YY=SA=STRAIGHT ARM YY=MS=MOUNTING SLEEVE <small>(only for SUNLIKE 50W)</small>	ZZ=GY=GRAY ZZ=BZ=BRONZE

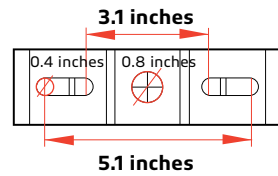
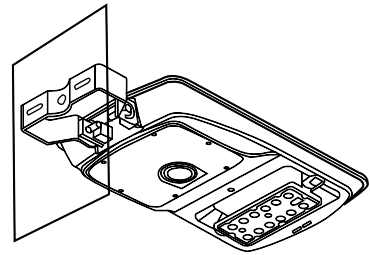
Sample Number: TLSTC008XYYZZ

Please **DO NOT** send the generic sample number directly to our salesperson. Use the information in the chart, above, to create a model number with the correct series, wattage, CCT, mounting options, and finish for the product options that you want.

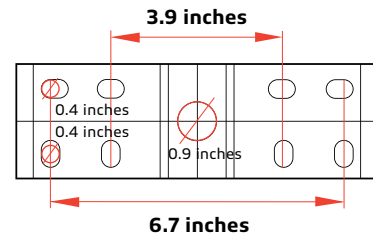
MOUNTING ACCESSORIES (8W, 20W, 30W)

This fully integrated luminaire has mounting options for every application, from wall mount to straight arm. The SUNLIKE can be implemented in almost any outdoor project.

A. TRUNNION—Wall Mount

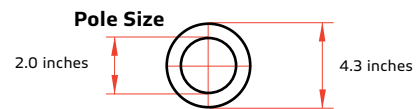
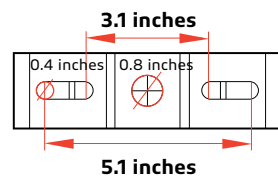
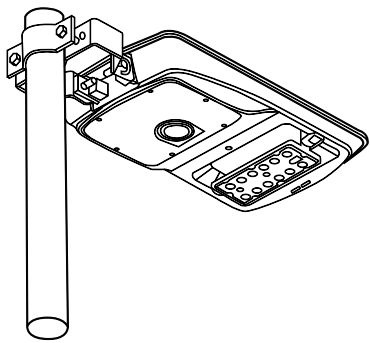


A-a. TLSTC-WM-8W (for Sunlike 8W)

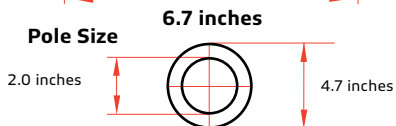
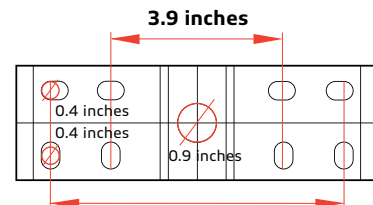


A-b. TLSTC-WM-20W/30W (for Sunlike 20W/30W)

B. TRUNNION—Round

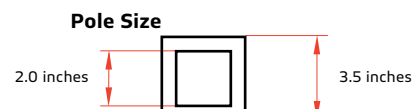
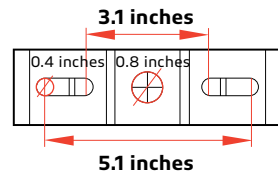
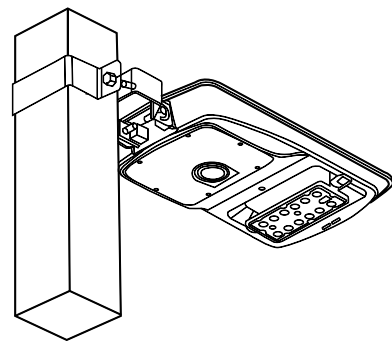


B-a. TLSTC-TRR-8W (for Sunlike 8W) works with 2.0 inches to 4.3 inches poles.

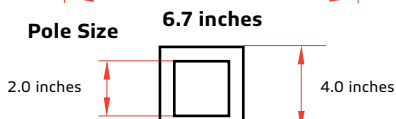
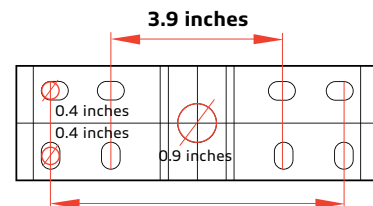


B-b. TLSTC-TRR-20W/30W (for Sunlike 20W/30W) works with 2.0 inches to 4.7 inches poles.

C. TRUNNION—Square

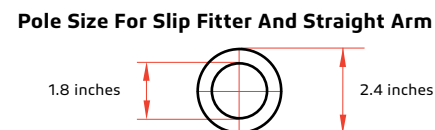
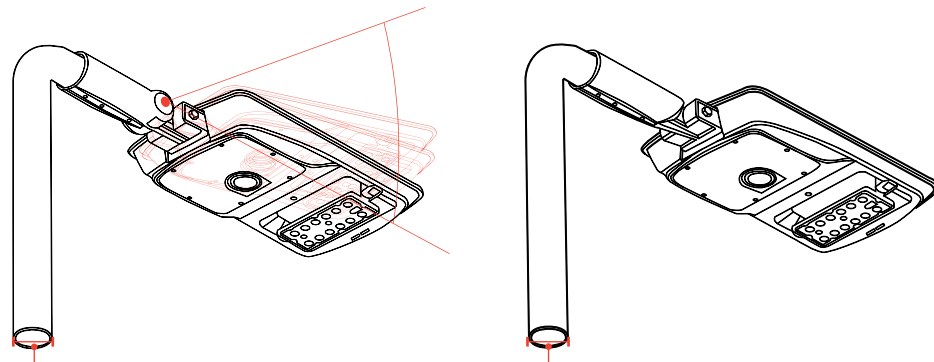


C-a. TLSTC-TRS-8W (for SUNLIKE 8W) works with 2.0 inches to 3.5 inches poles.



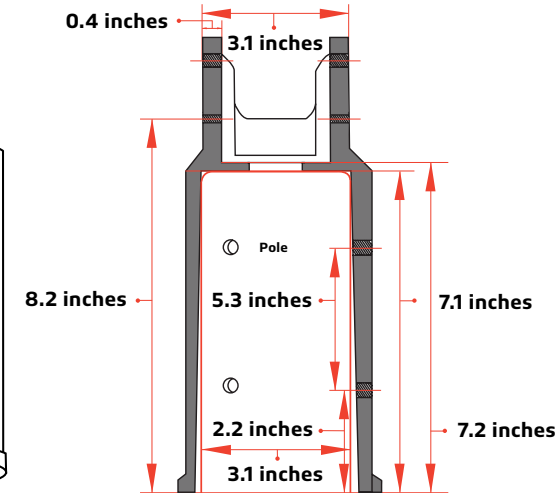
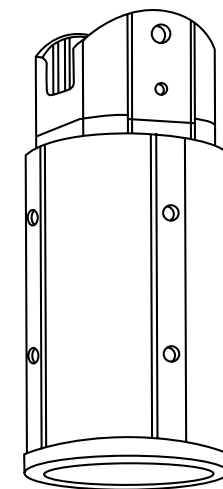
C-b. TLSTC-TRS-20W/30W (for Sunlike 20W/30W) works with 2.0 inches to 4.0 inches poles.

SLIP FITTER—Rotative And Straight Arm



(50W)

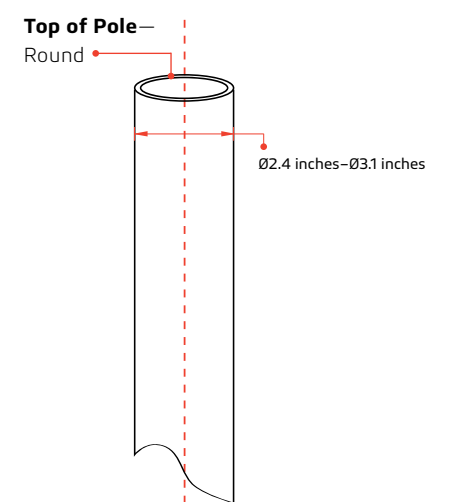
MOUNTING SLEEVE



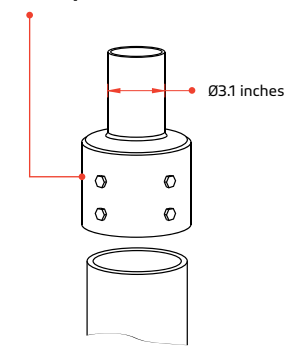
TENON ADAPTER

If your round pole size is over 3.125 inches, or you need a square pole, please contact the pole manufacturer for the tenon adapter.

POLE ASSEMBLY



Tenon Adapter—Round



Tenon Adapter—Square

