

LED Outdoor Non-Cutoff and Semi-Cutoff Wall Pack **WMI MODEL**

DESCRIPTION

The **SOLTECH WMI** Traditional wall pack is an integrated LED solution that delivers long life and energy savings. The heavy duty cast aluminum housing offers advanced thermal management and protection against outdoor environments without compromising aesthetics.

APPLICATION:

SOLTECH Wallpack Series are ideal for brightly-lit outdoor wall mount applications in parking garages, entrances, public areas, schools, hospitals, hotels and outdoor walkways that demand long service life and low maintenance.



FEATURES

PERFORMANCE:

SOLTECH WALLPACK lights have a variety of series which are ideal to replace metal halide fixtures. These lights can save energy and require lower maintenance costs.

Available in varying ranges:

- 50W
- 80W
- 120W

Lumens are from 5,050 to 14,000Lm

HOUSING:

ADC12 aluminum heat sink, outdoor powder coating finish, ideal waterproof design.

FINISHES:

The WMI is available in:

- **BR**= Bronze

PHOTOMETRICS:

Please see page 3 for photometric layouts.

All of our IES files will be available at www.soltechlighting.com

OPTICAL LENS:

High light transmittance >93% Prismatic lens, premium appearance

MOUNTING:

Luminaire mounting designed for standard J-Box. Can be mounted directly to surface. Features multiple 1/2 NPS knockouts.conduit entries.

ELECTRICAL:

100-277V, 60Hz AC, PF≥0.9; THD<20%, with optimal quality backed by 20 years of successful manufacturing experience

LED:

LUMILEDS(LED); CRI>70, Low degradation applied adhesive on the LED soldering position on PCB for protection.

CERTIFICATIONS/REGULATORY:

UL listed, DLC listed, IP65 rating. All components have safety approvals.

WARRANTY:

We have a 5-year limited warranty, see complete warranty terms for details.

Warranty Guidelines include but are not limited to:

- Product must be rated for the application per the Product Data Sheet (PDS).
- Light must be used less than 16 hours a day
- Must be in ambient of -4°F to 104°F

ADDITIONAL NOTATIONS:

Heat sink aluminum material with excellent cooling design

Competitive lumen efficacy of up to 110LM/W.

Operating Temperature:

-4° ~ 104°F, 4KV surge protection.

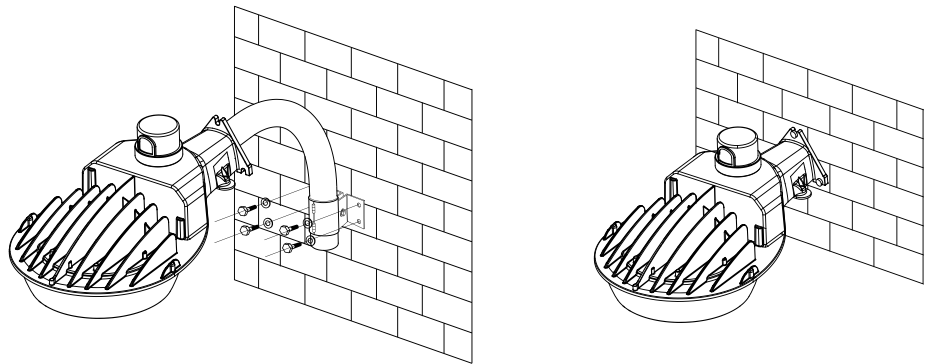
More information provided at www.soltechlighting.com/support

LED Outdoor Non-Cutoff and Semi-Cutoff Wall Pack **WMI MODEL**

SUMMARY

HOUSING	ACD12 aluminum heat sink, Outdoor powder coating.
VOLTAGE	100-277V, 60Hz AC
LED	LumiLEDs
EFFICACY	110 LM/W
LUMENS@5000K	5,050-14,000 lumens
POWER FACTOR	>0.9
BEAM ANGLE	90°, 103°
THD	<20%
OPERATING TEMP	-4°F-104°F
ALUMINUM LED BOARD	High conductive, Waterproof, Aging resistance, Salt mist resistance, Long-life.
CONTROLS / DIMMING	0-10V Dimming
CCT	3000K, 4000K and 5000K
CRI	>70
RATED LIFE	70,000 hours

INSTALLATION DIAGRAM



ENERGY PERFORMANCE DATA

MODEL	DIMENSION (in)	VOLTAGE (V)	WATT (W -8%~+5%)	LUMENS @ 5000K(Lm)	EFFICACY (Lm/w)	DIMMING
STLWMI50XYZZ	24X21.3X9.4 in	100-277	50	5,050	101	Non-Dimmable
STLWMI80XYZZ	27.7X18.9X11 in	100-277	80	9,500	119	0-10V/PWM/VR
STLWMI120XYZZ	27.7X18.9X11 in	100-277	120	14,000	117	0-10V/PWM/VR

ORDERING INFORMATION

Sample Number: **STLWMI504WMBR**

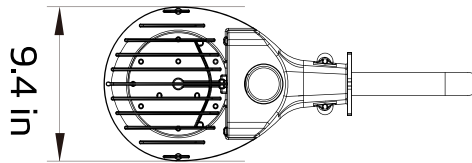
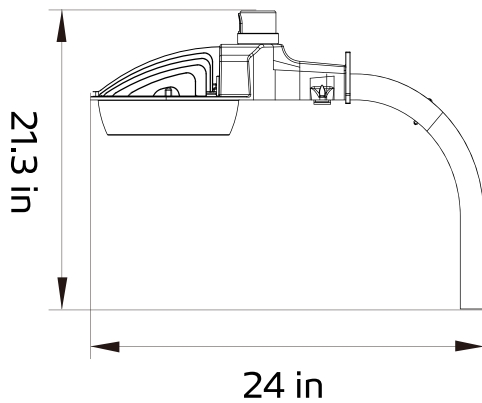
SOLTECH Wall Pack WMI 50 watt, 4000k, Wall mount installation, with a Bronze finish.

SERIES	WATT (W -8%~+5%)	COLOR TEMP (X)	MOUNTING OPTIONS (YY)	FINISH (ZZ)	VOLTAGE (V) (Blank)	OPTIC TYPE (Blank)	DIMMING (Blank)
STLWMI	50	3=3000K	WM=WALL MOUNT	BR=BRONZE	100-277	103°	Non-Dimmable
	80	4=4000K				90°	0-10V/PWM/VR
	120	5=5000K					

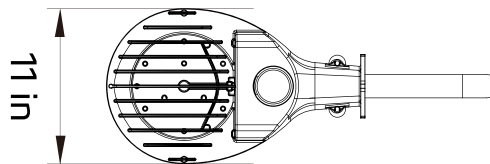
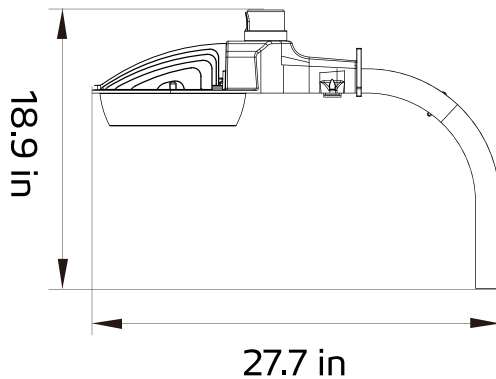
LED Outdoor Non-Cutoff and Semi-Cutoff Wall Pack WMI MODEL

DIMENSIONAL DRAWING

50W



80W & 120W



PHOTOMETRICS:

