

## HIGH BAY LIGHT



## HBQ MODEL

### DESCRIPTION

The **SOLTECH HBQ** LED High Bay delivers high lumen output, long life, economic solution, and no restrike time. This energy-efficient LED luminaire offers one-to-one replacement of existing HID or fluorescent high bays. Precision-formed reflectors delivers adequate light in high mounting applications. Modular driver and LED arrays. Economic solution to optimize payback. Capable of being operated with occupancy sensor.

#### APPLICATIONS:

Various commercial and industrial applications with high ceilings: warehouse, manufacturing facilities, retail, gymnasiums, grocery.

### FEATURES

#### PERFORMANCE:

Perfect for both retrofits and new projects, it allows an ideal usage mainly used in places that need coverage while maintaining constant stream of light spread through the night.

Available in varying ranges:

- 150W

Lumens are from 20,250 lumens

#### HOUSING:

ADC12 aluminum heat sink, outdoor powder coat finish, and waterproof design.

#### FINISHES:

The HBQ is available in:

- **WH**= Traffic White

#### PHOTOMETRICS:

Please see page 3 for photometric layouts.

All of our IES files will be available at [www.soltechlighting.com](http://www.soltechlighting.com)

#### OPTICAL LENS:

High light transmittance >95%, PC.

#### MOUNTING:

The HBQ Line Provides one main attachment.

These can be identified in the Model Specification Sheet as:

- **HK** = Hook



#### ELECTRICAL:

100-347V, 50/60Hz, PF≥0.9; THD<20%, with stable and reliable circuit design.

#### LED:

LUMILEDS, CRI>80, Low degradation adhesive applied to the LED soldering position on the PCB, for added protection.

#### CERTIFICATIONS:

UL listed. DLC QPL listed. All components have safety approvals.

Wet location listed. IP65 rated. NSF certified for food processing and food safe environments.

#### CONTROL:

Microwave sensor optional upgrade. Comes standard with dimming compatibility.

#### WARRANTY:

We have a 7-year limited warranty, see complete warranty terms for details.

Warranty Guidelines include but are not limited to:

- The original warranty extends to the original buyer
- Light must be used less than 16 hours a day
- Must be in ambient of -40°F to 104°F

#### ADDITIONAL INFORMATION:

Competitive lumen efficacy of up to 135LM/W.

Operating Temperature:

-40° ~ 104°F, 10KV surge protection.

More information provided at [www.soltechlighting.com/support](http://www.soltechlighting.com/support)

# HIGH BAY LIGHT

# HBQ MODEL



## SUMMARY

HOUSING	ACD12 aluminum heat sink, Outdoor powder coating.
VOLTAGE	100-347V, 60Hz AC
LED	LumiLEDs
EFFICACY	135 LM/W
LUMENS@5000K	20,250 lumens
POWER FACTOR	≥0.9
BEAM ANGLE	90°
THD	<20%
OPERATING TEMP	-40°F-104°F
ALUMINUM LED BOARD	High conductive, Waterproof, Aging resistance, Salt mist resistance, Long-life.
CONTROLS / DIMMING	0-10V Dimming
CCT	4000K and 5000K
CRI	>80
RATED LIFE	70,000 hours



## ENERGY PERFORMANCE DATA

MODEL	DIMENSION (in)	VOLTAGE (V)	WATT (W -8%~+5%)	LUMENS @ 5000K(Lm)	EFFICACY (Lm/w)
STLHBQ150XYZZ	7.8X16.4 in	100-347	150	20,250	135

## ORDERING INFORMATION:

Sample Number: STLHBQ1504HKWH

SOLTECH High Bay HBQ 150 watt, 4000K, Hook installation, with a White finish.

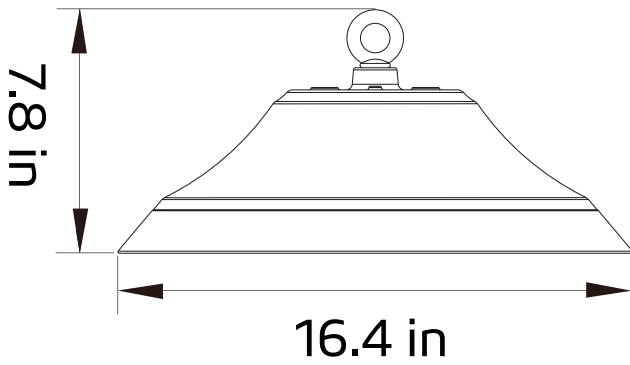
SERIES	WATT (W -8%~+5%)	COLOR TEMP (X)	MOUNTING OPTIONS (YY)	FINISH (ZZ)	VOLTAGE (V) (Blank)	OPTIC TYPE (Blank)	DIMMING (Blank)
STLHBQ	150	4=4000K 5=5000K	HK=HOOK	WH=WHITE	100-347	90°	0-10V/PWM/VR

**HIGH BAY LIGHT**

**HBQ MODEL**



**DIMENSIONAL DRAWING**



**PHOTOMETRICS:**

