

FOCUS

INSTALLATION MANUAL

Contents

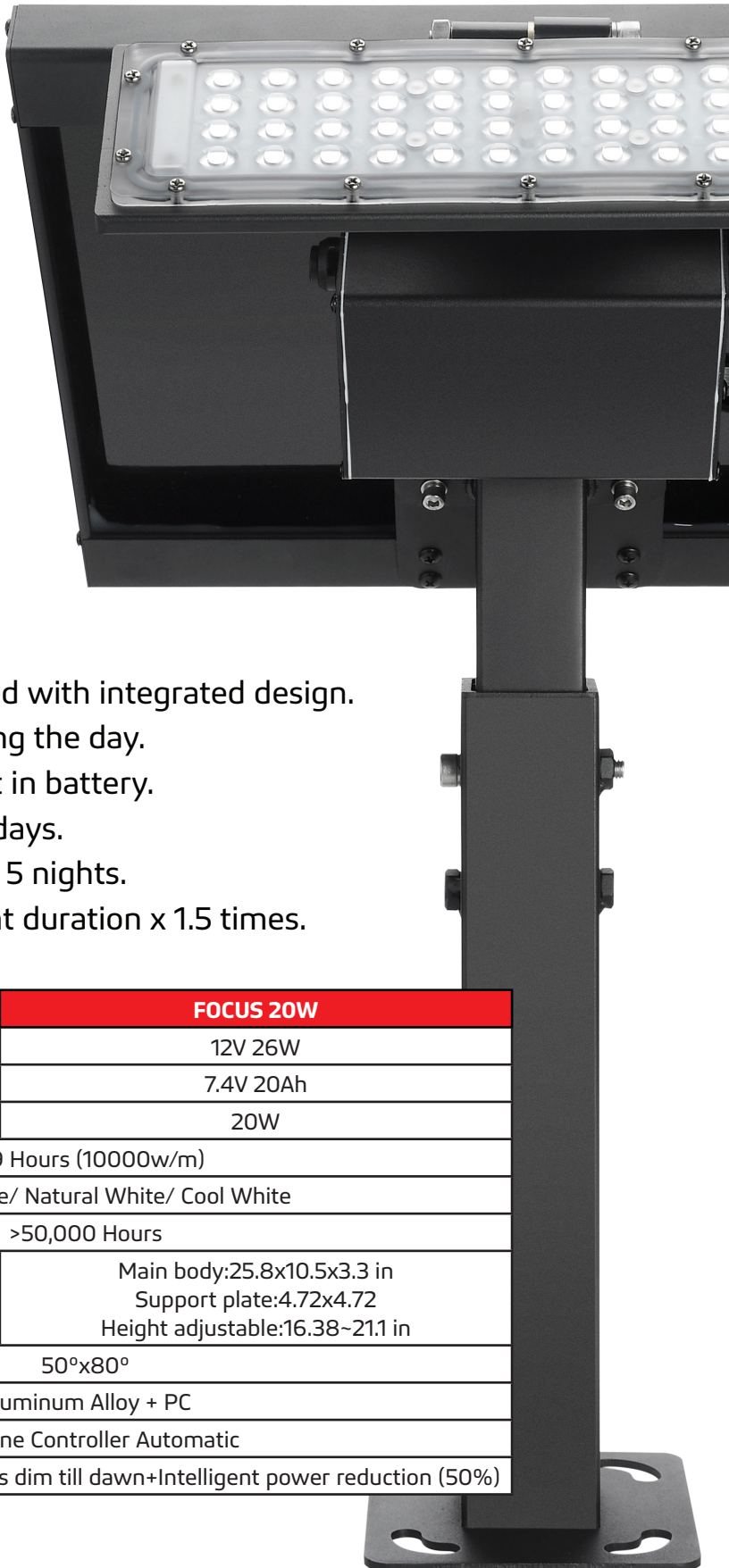
- Solar Panel and Battery box with LED array
- Ground stand and Anchor bolts
- Quick Installation Guide

Applications

- Sculptures
- Memorials
- Billboards & Signs
- Pathways
- Sign boards
- Wall Lights
- Gardens

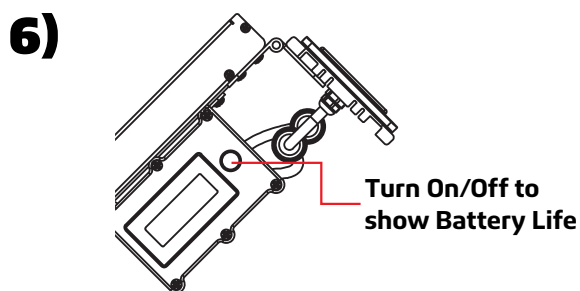
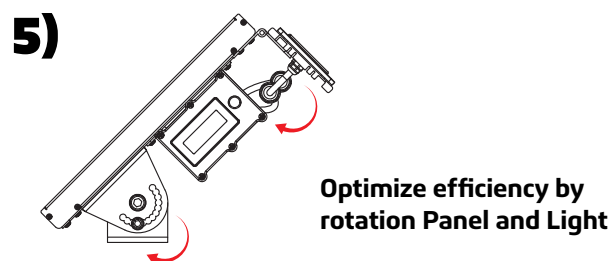
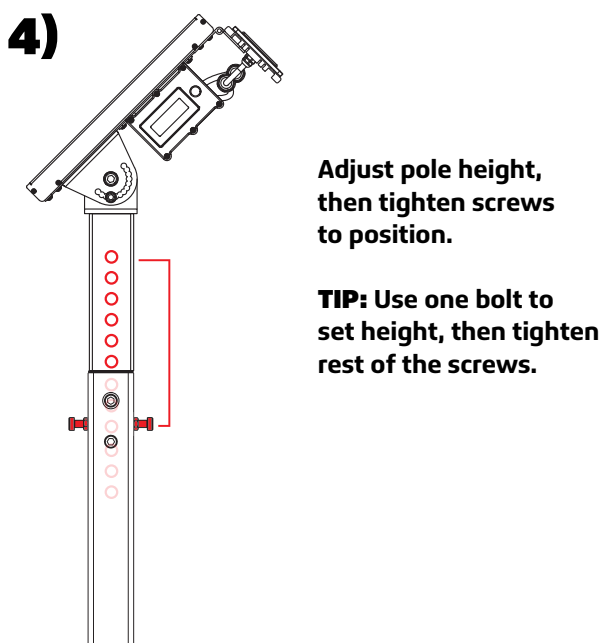
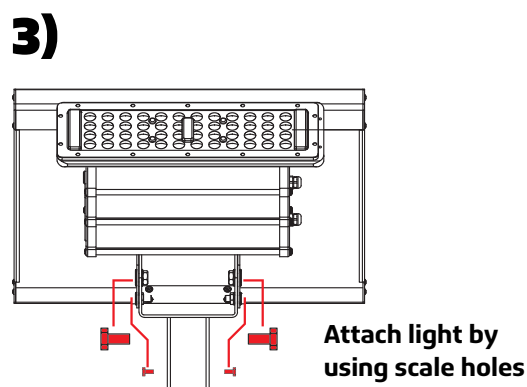
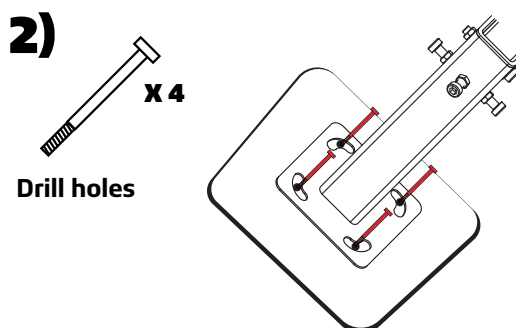
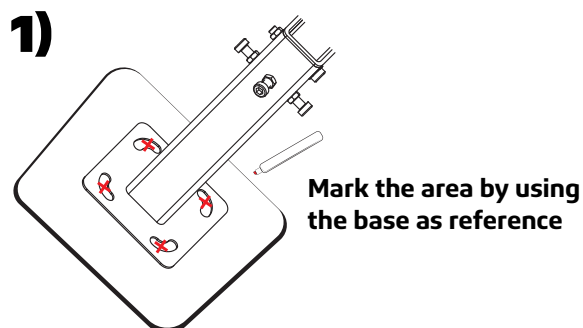
Features

- Easy installation- no electrical wiring required with integrated design.
- Turns on automatically at night and off during the day.
- The lights include an On/Off switch and built in battery.
- Battery can support 5-6 nights with cloudy days.
- When fully charged, lights will operate up to 5 nights.
- Intelligent power saving mode increases light duration x 1.5 times.
- IP65 water and dust resistant.



	FOCUS 10W	FOCUS 20W
SOLAR PANEL POWER	12V 13W	12V 26W
BATTERY	7.4V 10Ah	7.4V 20Ah
LED POWER	10W	20W
CHARGING TIME	8-9 Hours (10000w/m)	
LED COLOR	Warm White/ Natural White/ Cool White	
LED LIFE TIME	>50,000 Hours	
PRODUCT SIZE	Main body:13.4x10.5x3.3 in Support plate:4.72x4.72 Height adjustable:16.38~21.1 in	Main body:25.8x10.5x3.3 in Support plate:4.72x4.72 Height adjustable:16.38~21.1 in
BEAM ANGLE	50°x80°	
MATERIAL	Aluminum Alloy + PC	
CONTORLLER	Sunshine Controller Automatic	
WORK MODE	4 hrs full bright + 25% brightness dim till dawn+Intelligent power reduction (50%)	

Quick Installation Guide



NOTES

1. All screws and bolts must be tightened firmly.
2. Only press the main power button once. The light will operate automatically at night.
3. Please charge the product for 6-8h before use.

HOW THE SOLAR PANEL WORKS:

During the day, the solar panel converts sunlight into electricity to charge the battery. At night, the lights turn ON automatically using the electricity stored in the battery. The performance of the solar lights is dependent on the location of the solar panel and/ or weather conditions. Install the solar panel in a sunny position ensuring it receives 6-8 hours sunlight each day. Reduced sunlight will reduce continuous working hours at night. Please note: during continuous wet & overcast days, lighting time may be reduced as the battery will not be fully charged. The lights may stop working during longer rainy periods of more than 5 days & will return to normal function when the sun returns. After an extended period of poor weather restore the battery power by turning the unit off and, fully charge the battery for 8 hours in full sunlight. To test the light during daylight hours, fully cover the solar panel and press the main power button.

HOW TO CHANGE THE BATTERY:

1. Unscrew the black control box at the rear of the solar panel by removing all 4 bolts.
2. Unplug both solar panel cable and light cable by unscrewing the waterproof connectors then pull firmly on opposite plug ends.
3. When requesting a replacement battery compartment from Solar we will include a return label free of charge for your exhausted unit. SOLTECH will service and recycle these parts.
4. Once you have the replacement control box, re-attach to rear of solar panel and tighten the 4 bolts.
5. Match up the correct cable connectors with their corresponding partner plug, then screw up the waterproof cover. (if the cover does not screw up easily, then the connectors are not fully pressed together)
6. Allow the FOCUS to charge over 2 full sunny days (longer if overcast weather), then engage ON button for standard operation.
7. Test the unit by covering the solar panel fully during daylight hours. The light should operate automatically. With the unit still turned ON, remove the cover exposing the solar panel to UV light. The light should turn OFF automatically.

This test will confirm the light is operating normally and can be returned to full service.

Note: This product uses a series of 7.4V, 2000mAh rechargeable lithium battery

BATTERY WARNING

Do not dispose of batteries in regular household waste. Do not get the batteries wet, hot or in contact with flames. Dispose of batteries at your local battery recycle center. Do not expose to flames or other corrosive material. Follow aviation safety guidelines where applicable.