

APPLICATIONS:

- Parking lot lighting
- Pathway/Greenway lighting
- School Campus and security lighting
- Road lighting
- Landscape and community park lighting
- Bus stop lighting in rural areas
- Horse track and ranch lighting
- Dock and shipyard lighting
- Military base and refugee camp lighting

CERTIFICATION DATA

IP 65 MSDS UN38.8
Level 12 Wind Test



		Comments
Catalog #		
Project		
Prepared by		
Date		



DESCRIPTION

SunLike features an integrated solar array and an all-in-one lighting fixture mount. This economical, easily-installed, off-grid lighting solution is ideal for areas such as pathways, house landscaping, parks, schools, trails, or any remote locations that has no access to conventional power. Factory direct pricing offers this cutting-edge tech at an exceptional value. This all-in-one LED solar streetlight is designed for both personal and professional areas in three different lumen outputs, 1600lm, 4000lm and 6000lm. A municipal-grade design offers superior light quality light over a large surface areas.

ORDERING INFORMATION
Sample Number: TLSTC008XYZZ

Series	Wattage	Color Temperature	Mounting Options	Finish
TL STC STC=Street Light	008 008=1600 Lumens 020=4000 Lumens 030=6000 Lumens	X 3=3000K 4=4000K 5=5000K 6=5700K	YY SA=Street Arm TR=Trunnion SF=Slip Fitter	ZZ GY=Gray

SPECIFICATION FEATURES

Optical System

- Adjustable LED module for proper optical performance after tilting towards the sun. Optical material does not yellow or crack with age and provides a typical light transmittance of 93%. UV-inhibited, flame retardant polycarbonate material injected module lens.
- High performance LUMILEDS 5050 LED chips achieving 200Lm/W, among the highest lumen efficiency in the industry.
- State-of-the-Art, 1-piece optic sheet delivers industry leading optical control & uniformity in IES Type 3.
- Available in 5000K, 4000K,

3000K, and 5700K color temperatures per ANSI C78.377.
• Standard CRI >70. Optional >80 CRI available, consult Rep. in your territory for lead time.

Electrical and controls

- Luminaire-Integrated LiFePO4 battery with 2000 cycle design life (5 years).
- Luminaire-Integrated monocrystalline silicon solar panel.
- Luminaire-Integrated high efficiency MPPT charge controller. Motion sense, fixed output, or time-based programming selectable via remote control (included). After activation, standard software automatically

turns fixture on in darkness and off when exposed to light.

- Panel controller-integrated over-charge/discharge protection optimizes battery life span.
- Operating temperature: -20°C to +50°C (-4°F to +122°F). Self-heating battery module version available for upgraded project applications in severe weather territories (i.e. Alaska), inquire for further information.
- Compliant with 6kA electrical high-pot surge protection test.

Construction and installation

- Rugged die-cast aluminum housing with UV resistant powder coat finish delivers industrial level resistance to weather,

salt, and time. Cast aluminum wiring access door located under all-in-one fixture body for easy battery replacement or maintenance.

- Designed to mount to square poles, round poles, and wall mounting applications. Universal mounting accessories include standard slip fitter, round trunnion, square trunnion, and wall mounting yoke configurations.
- IP65 rated luminaire protects integral components from wet environments.

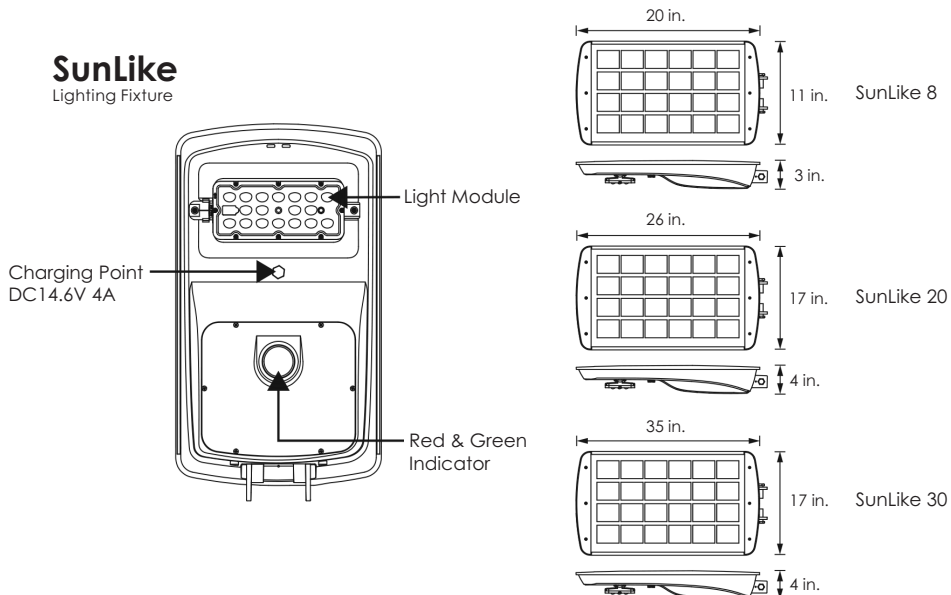
Warranty and listing

- SOLTECH Solar LED Fixtures carry a 3-year warranty for

online retail transactions and a 5-year warranty for projects.

- CE and RoHS compliant.
- IP65 rated luminaire suitable for wet applications.
- MSDS report and UN38.8 testing for battery module.


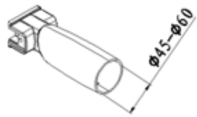
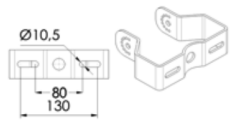
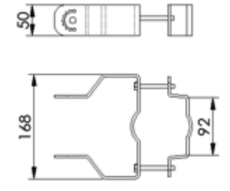
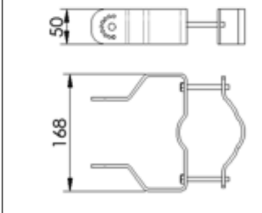

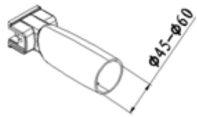
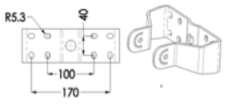
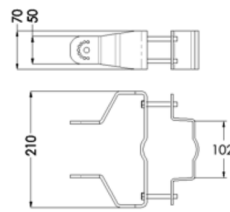
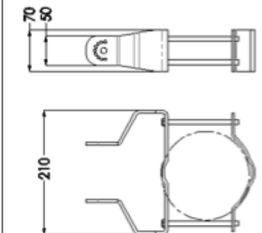
SunLike
Lighting Fixture



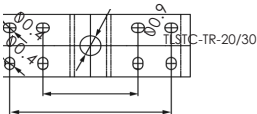
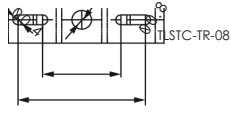
SPECIFICATIONS

OUTBEAM	1600 Lumens	4000 Lumens	6000 Lumens
Model	TLSTC008XYYZZ	TLSTC020XYYZZ	TLSTC030XYYZZ
Casing	Aluminum	Aluminum	Aluminum
Dimension	20x11x3in	26x17x4in	26x17x4in
Efficiency	200 lm/w	200 lm/w	200 lm/w
Lumens	1600 lm(8w)	4000 lm(20w)	4000 lm(30w)
LED Chip	Lumileds 5050(215lm-CR>70)	Lumileds 5050(215lm-CR>70)	Lumileds 5050(215lm-CR>70)
Solar Panel	17Wp	36Wp	52Wp
Battery	LiFePO4-9Ah 12.8V(115Wh)	LiFePO4-20Ah 12.8V(245Wh)	LiFePO4-30Ah 12.8V(385Wh)
Charging Time*	7 hrs	7 hrs	7 hrs
Autonomy at Full Power	10 hrs	10 hrs	10 hrs
Maximum Autonomy	50 hrs	50 hrs	50 hrs
Operation Mode	Remote control with one-key setting	Remote control with one-key setting	Remote control with one-key setting
Weight	11.7 lb	21.4 lb	29.8 lb
Installation Height	6 to 13ft	9 to 16ft	9 to 19ft
Operating Temperature	-4 to 122 °F	-4 to 122 °F	-4 to 122 °F

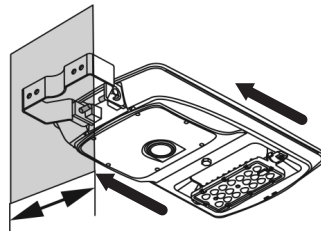
INSTALLATION ACCESSORIES

ITEM	FIXED ARM MOUNTING	SLIP FITTER MOUNTING	U-TRUNNION MOUNTING	SQUARE-HOOP MOUNTING	ROUND -HOOP MOUNTING
8W SOLAR STREETLIGHT			 <p>1. WALL MOUNTED 2. SQUARE POLE ABOVE 100MM</p>	 <p>1. ROUND POLE 50-90MM 2. SQUARE POLE 50-90MM</p>	 <p>1. ROUND POLE 50-110MM</p>
30W SOLAR STREETLIGHT			 <p>1. WALL MOUNTED 2. SQUARE POLE ABOVE 120MM</p>	 <p>1. ROUND POLE 60-100MM 2. SQUARE POLE 50-100MM</p>	 <p>1. ROUND POLE 50-120MM</p>

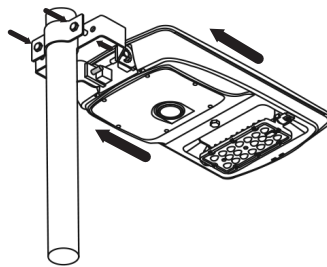
MOUNTING ACCESSORIES



≥3.9in TLSTC-TR-08
≥4.7in TL-

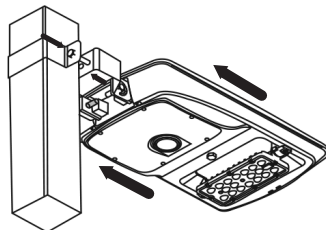


1. TRUNNION
TLSTC-TR-08 (FOR SUNLIKE 8)
TLSTC-TR-20/30 (FOR SUNLIKE 20/30)



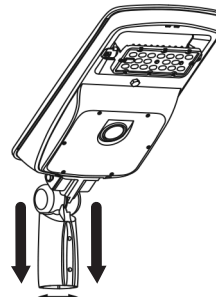
02.0-04.3in TLSTC-TRR-08
02.0-04.7in TLSTC-TRR-20/30

2. TRUNNION-ROUND
TLSTC-TRR-08 (FOR SUNLIKE 8)
TLSTC-TRR-20/30 (FOR SUNLIKE 20/30)



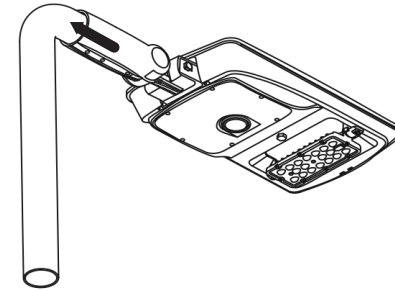
02.0-04.3in TLSTC-TRS-08
02.0-04.7in TLSTC-TRS-20/30

3. TRUNNION-SQUARE POLE
TLSTC-TRS-08 (FOR SUNLIKE 8)
TLSTC-TRS-20/30 (FOR SUNLIKE 20/30)



01/8-02.4in

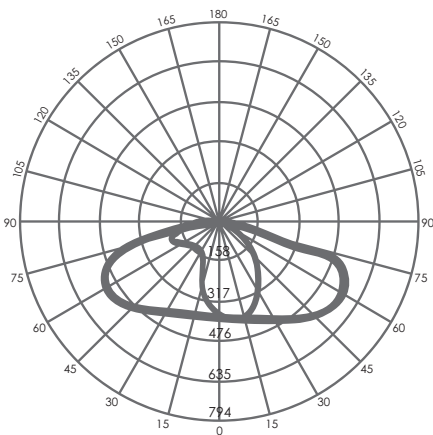
4. ROTATIVE SLIPFITTER
TLSTC-SF



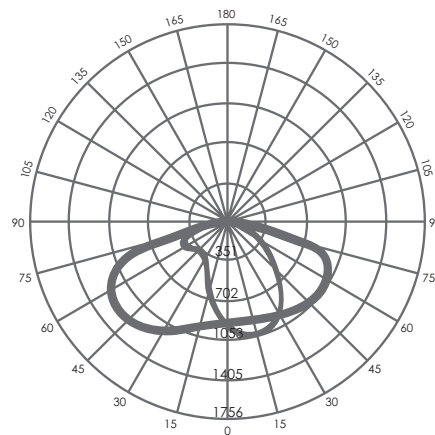
01/8-02.4in

5. STRAIGHT SLIPFITTER
TLSTC-SA

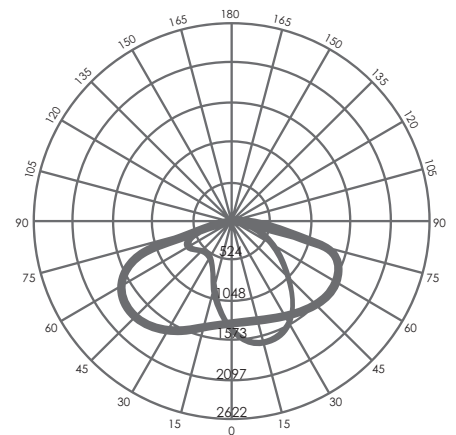
IES/BEAM



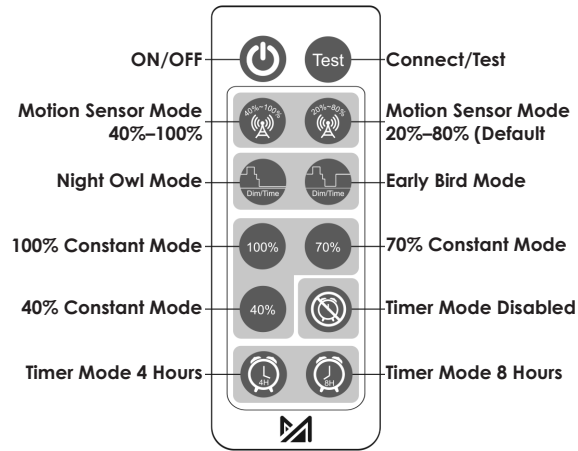
1600 LUMENS



4000 LUMENS



6000 LUMENS

REMOTE CONTROLS

ON/OFF

When OFF is selected, light stops working. Solar panel will not charge battery, battery does not supply electricity to the light.

Connect/Test

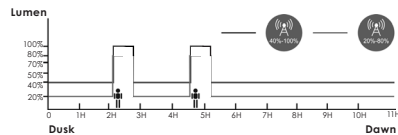
Remote control device can be connected with any lighting fixture, one at a time. To connect, press once. It also functions as a test button. To test, press once, red light indicates charging, green light indicates discharging. Testing lasts for 10 seconds, then goes back to the mode previously in use.

Motion Sensor Mode 40%–100%

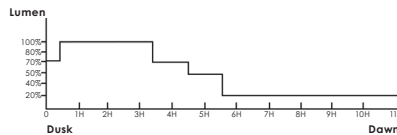
Constant 40% brightness (turns on at dusk, turns off at dawn); 100% brightness turns on for 2 minutes when motion detected.

Motion Sensor Mode 20%–80% (Default)

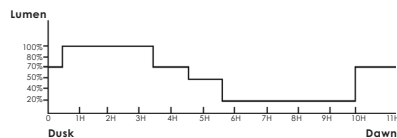
Constant 20% brightness (turns on at dusk, turns off at dawn); 80% brightness turns on for 2 minutes when motion detected.


Night Owl Mode

Changes as natural light decreases/increases: 70% brightness for Hour 0–0.5, 100% brightness for Hours 0.5–3.5, 70% brightness for Hours 3.5–4.5, 50% brightness for Hour 4.5–5.5, 20% brightness for Hours 5.5–11 (Dawn).


Early Bird Mode

Changes as natural light decreases/increases, with increased brightness near dawn for early risers: 70% brightness for Hour 0–0.5, 100% brightness for Hours 0.5–3.5, 70% brightness for Hour 3.5–4.5, 50% brightness for Hour 4.5–5.5, 20% brightness for Hours 5.5–10, 100% brightness for Hour 10–11 (Dawn).


100% Constant Mode

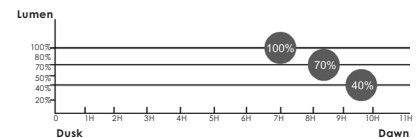
100% brightness from dusk to dawn.

70% Constant Mode

70% brightness from dusk to dawn.

40% Constant Mode

40% brightness from dusk to dawn.


Timer Disabled

Press this button to turn off Timer Mode; settings go back to before Timer Mode is last activated.

Timer Mode 4 Hours

Light turns off 4 hours after it turns on (dusk). For example: Press this button at any time, if light turns on at 7pm at dusk, it will turn off at 11pm. It will repeat the same schedule hereafter until it is cancelled by pressing Timer disabled.

Timer Mode 8 Hours

Light turns off 8 hours after it turns on (dusk). For example: Press this button at any time, if light turns on at 7pm at dusk, it will turn off at 3am. It will repeat the same schedule hereafter until it is cancelled by pressing Timer Disabled.