

**APPLICATIONS:**

- Main Road lighting
- Pathway lighting
- Area lighting and security lighting
- Spot area lighting
- Airport and Railroad yard lighting
- Dock and shipyard lighting
- Military base and refugee camp lighting

**CERTIFICATION DATA**

IP 65 MSDS UN38.8



Catalog #	Comments	
Project		
Prepared by		
Date		

**ORDERING INFORMATION**

Sample Number: TLSTD50XYZZ; TLSTD75XYZZ

Series	Wattage	Color Temperature	Mounting Options	Finish
TL STD	50	X	YY	ZZ
STD=Street Light	50=10,000 Lumens 75=15,000 Lumens	3=3000K 4=4000K 5=5000K 6=5700K	SA=Street Arm SF=Slip Fitter MA=ARM	GY=Gray BZ=Bronze


**DESCRIPTION**

The Satelis Series is a high-end, robust, and durable solar outdoor lighting system that provides quality off-grid light. This commercial-dedicated series is ideal for highways, city streets, large parking lots, and area lighting. It comes in a wide choice of configurations, lighting outputs, and pole heights. It is optimized to provide years of municipal-grade performance and industry-leading efficiency.

**SPECIFICATION FEATURES**
**Optical System**

- The most powerful off-grid solar street light on the market. Able to achieve over 15,000 lumens in 75W configuration. Able to operate all night for years on end, Satelis meets the highest municipal standards for street and highway lighting.
- State-of-the-Art, 1-piece optic sheet delivers industry leading optical control & uniformity in IES. Standard type II/III light beam patterns, with optional tailor-made beams depending on project design. Consult sales rep. for more details.
- High transmittance, UV-inhibited, flame retardant polycarbon-

ate material injected module lens does not yellow or crack over time when exposed to heavy sun/outdoor exposure.

- High performance LUMILEDS 5050 LED chips achieving 200lm/W, among the highest lumen efficiency in the industry.
- Available in 5000K, 4000K, 3000K, and 5700K color temperatures per ANSI C78.377.
- Standard CRI >70. Optional >80 CRI available, consult Rep. in your territory for lead time.

**Electrical and controls**

- Luminaire-Integrated LiFePO4 battery with 2000 cycle design life (5 years).

- Luminaire-Integrated monocrystalline silicon solar panel.
- Luminaire-Integrated high efficiency MPPT charge controller. Motion sense, fixed output, or time-based programming selectable via remote control (included). After activation, standard software automatically turns fixture on in darkness and off when exposed to light.
- Panel controller-integrated over-charge/discharge protection optimizes battery life span.
- Operating temperature: -20°C to +50°C (-4°F to +122°F). Self-heating battery module version available for upgraded project applications in severe weather territories (i.e. Alaska),

please inquire for further information.

- Compliant with 6kA electrical high-pot surge protection test.

**Construction and installation**

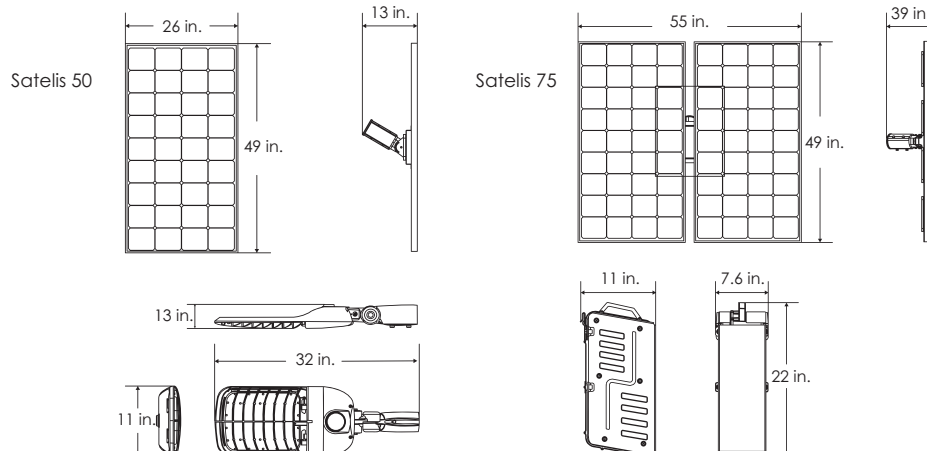
- Rugged die-cast aluminum housing with UV resistant powder coat finish delivers industrial level resistance to weather, salt, and time.
- Robust Die-cast aluminum battery box designed for easy installation. Specialized security-oriented screws protect against theft.
- Mounting accessories kit included with package. Quick-hook design allows battery

box to be easily installed and replaced by a single person to reduce maintenance cost over time.

- IP65 rated luminaire protects integral components from harsh environments.

**Warranty and listing**

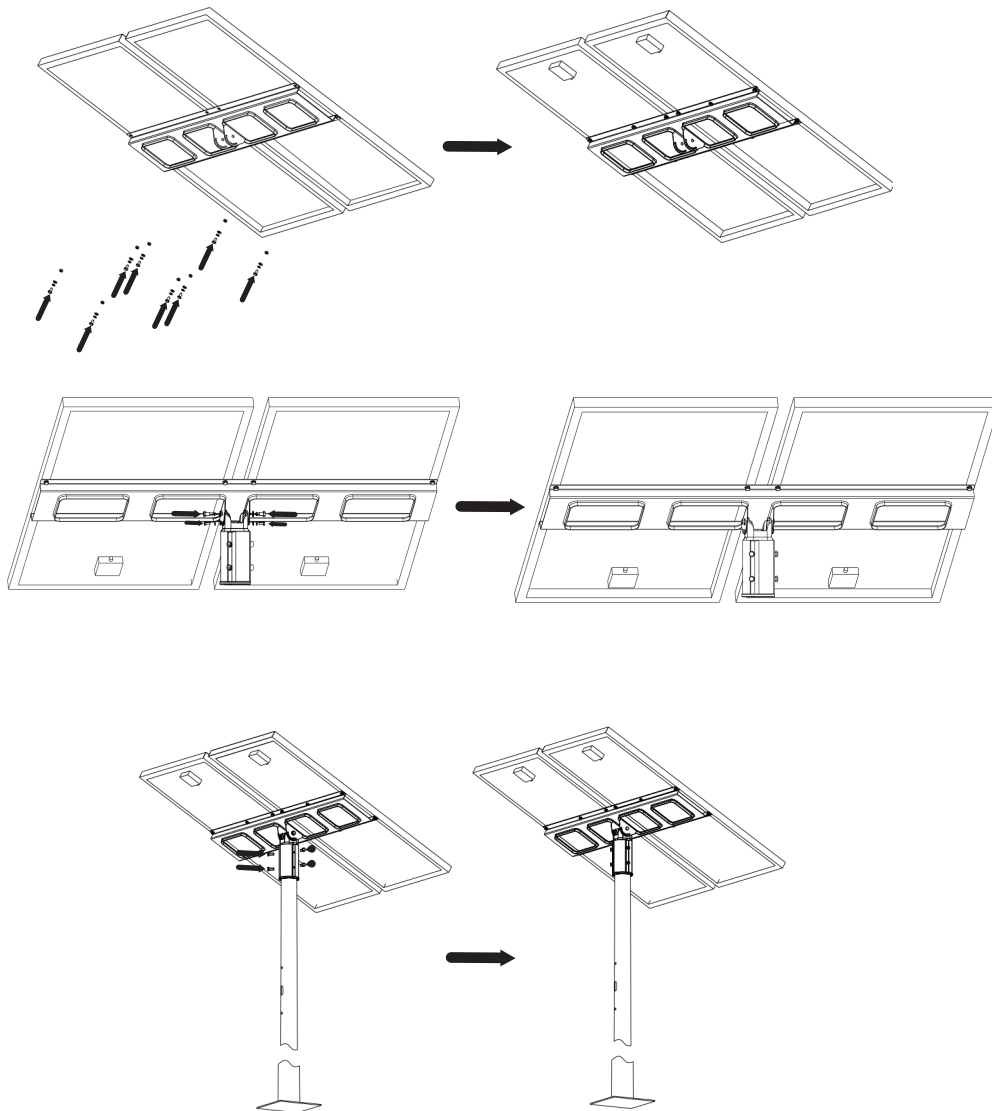
- SOLTECH Solar LED Fixtures carry a 3-year warranty for online retail transactions and a 5-year warranty for projects.
- CE and RoHS compliant.
- IP65 rated luminaire suitable for wet applications. MSDS report and UN38.8 testing for battery module.

**Satelis**  
 Lighting Fixture


## SPECIFICATIONS

OUTBEAM	Satalis 10,000		Satalis 15,000	
Model	TLSTD50XYZZ		TLSTD75XYZZ	
Lumens	10,000		15,000	
LED Chip	Lumileds 5050 (215lm/W-CRI>70)			
Beam Angle	80°x140°			
Solar Panel Power Rating	130W	130W	260W	260W
Battery Capacity (Li-ion LiFePO4)	30A 25.6V	60A 25.6V	60A 25.6V	90A 25.6V
Maximum Autonomy*	64 hrs	129 hrs	64 hrs	96 hrs
Materials	Body: Aluminum/Led cover:Polycarbonate/Monocrystalline SOLAR panel			
Installation Height	20 to 33ft		26 to 39ft	
Operating Temperature	-4 to 122 °F		-4 to 122 °F	
IP Rating	IP 65			

## MOUNTING ACCESORIES

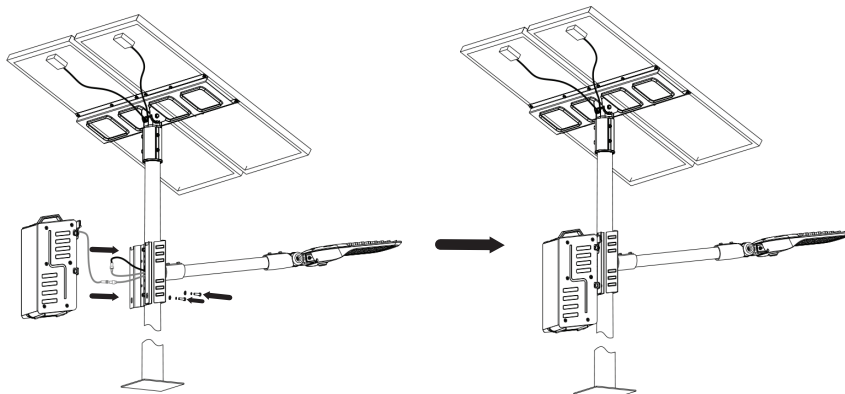
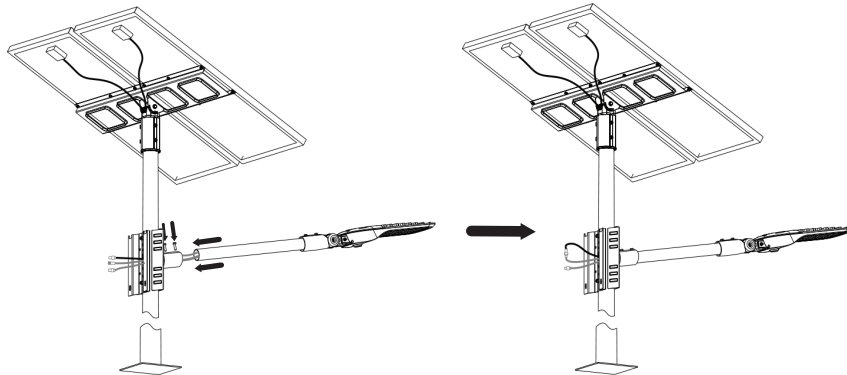
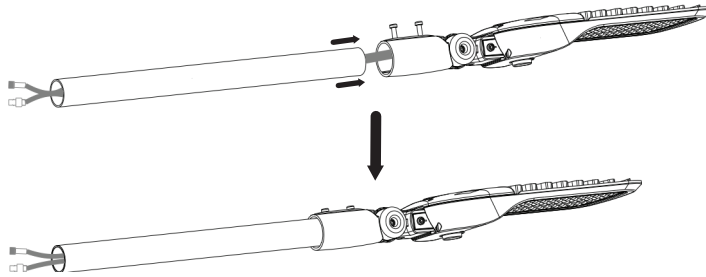
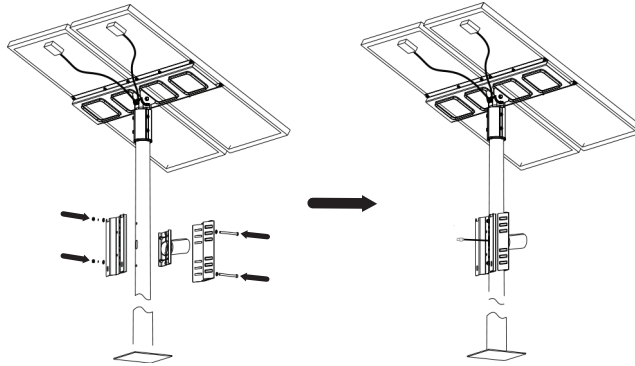


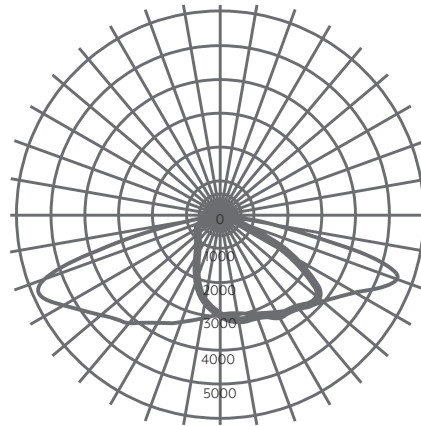


**SOLTECH™**  
smart solar lighting

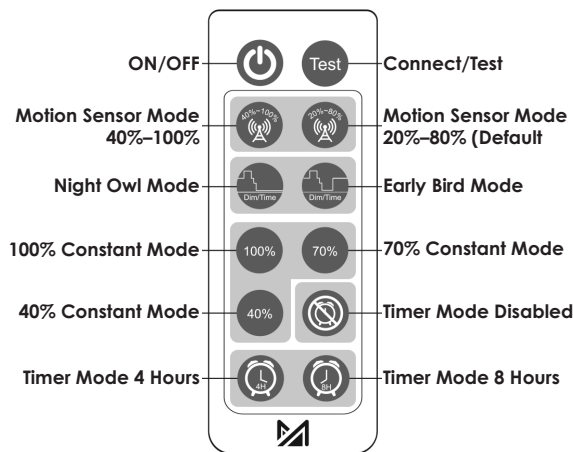
## SATELIS

LED SOLAR  
STREET LIGHT





TYPE III


**ON/OFF**

When OFF is selected, light stops working. Solar panel will not charge battery, battery does not supply electricity to the light.

**Connect/Test**

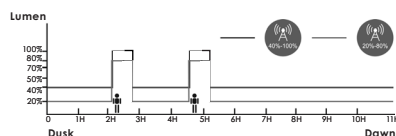
Remote control device can be connected with any lighting fixture, one at a time. To connect, press once. It also functions as a test button. To test, press once, red light indicates charging, green light indicates discharging. Testing lasts for 10 seconds, then goes back to the mode previously in use.

**Motion Sensor Mode  
40%–100%**

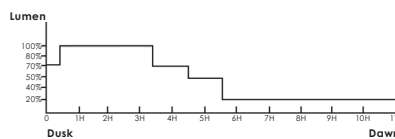
Constant 40% brightness (turns on at dusk, turns off at dawn); 100% brightness turns on for 2 minutes when motion detected.

**Motion Sensor Mode  
20%–80% (Default)**

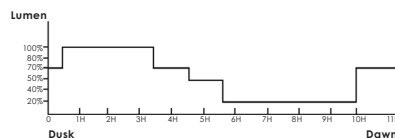
Constant 20% brightness (turns on at dusk, turns off at dawn); 80% brightness turns on for 2 minutes when motion detected.


**Night Owl Mode**

Changes as natural light decreases/increases: 70% brightness for Hour 0–0.5, 100% brightness for Hours 0.5–3.5, 70% brightness for Hours 3.5–4.5, 50% brightness for Hour 4.5–5.5, 20% brightness for Hours 5.5–11 (Dawn).


**Early Bird Mode**

Changes as natural light decreases/increases, with increased brightness near dawn for early risers: 70% brightness for Hour 0–0.5, 100% brightness for Hours 0.5–3.5, 70% brightness for Hour 3.5–4.5, 50% brightness for Hour 4.5–5.5, 20% brightness for Hours 5.5–10, 100% brightness for Hour 10–11 (Dawn).


**100% Constant Mode**

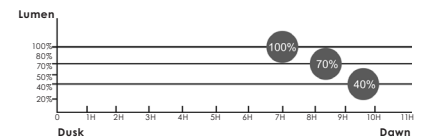
100% brightness from dusk to dawn.

**70% Constant Mode**

70% brightness from dusk to dawn.

**40% Constant Mode**

40% brightness from dusk to dawn.


**Timer Disabled**

Press this button to turn off Timer Mode; settings go back to before Timer Mode is last activated.

**Timer Mode 4 Hours**

Light turns off 4 hours after it turns on (dusk). For example: Press this button at any time, if light turns on at 7pm at dusk, it will turn off at 11pm. It will repeat the same schedule hereafter until it is cancelled by pressing Timer disabled.

**Timer Mode 8 Hours**

Light turns off 8 hours after it turns on (dusk). For example: Press this button at any time, if light turns on at 7pm at dusk, it will turn off at 3am. It will repeat the same schedule hereafter until it is cancelled by pressing Timer Disabled.