

**APPLICATIONS:**

- Parking lot lighting
- Bike way, pathway/greenway lighting
- School Campus and security lighting
- Community road lighting
- Landscape and community park lighting
- Bus stop lighting in rural Area
- Dock and shipyard lighting

**CERTIFICATION DATA**

IP 65 MSDS UN38.8



Catalog #		Comments
Project		
Prepared by		
Date		


**DESCRIPTION**

Cegonia features an LED lamp ranging from 8W to 30W. It's perfect for areas where the design of the street lights needs to blend with the surrounding area. Cegonia provides sufficient lighting for numerous applications, such as parking lots, courtyards, house landscapes, pathways, bicycle lanes, park playgrounds, and corporate complexes. With a two-piece design solution for the panel and lighting module, this series can easily provide up to a week of power backup.

**ORDERING INFORMATION**

Sample Number: TLSTE08XYZZ; TLSTE20XYZZ; TLSTE30XYZZ

Series	Wattage	Color Temperature	Mounting Options	Finish
TL STE STE=Street Light	08=1440 Lumens 20=4000 Lumens 30=6000 Lumens	X 3=3000K 4=4000K 5=5000K 6=5700K	YY PM=Pole Mounting	ZZ WH-White

**SPECIFICATION FEATURES**
**Optical System**

- 360-degree downward light disbursement with 90% downward direction lighting design optimized for parking lots and pedestrian lighting. Adjustable PC shade or lens options available. Optical material does not yellow or crack with age and provides a typical light transmittance of 93%. High transmittance, UV-inhibited, flame retardant polycarbonate material injected module lens.
- High performance LUMILEDS 5050 LED chips achieving 200Lm/W, among the highest lumen efficiency in the industry.
- Available in 5000K, 4000K,

- 3000K, and 5700K color temperatures per ANSI C78.377.
- Standard CRI >70. Optional >80 CRI available, consult Rep. in your territory for lead time.

**Electrical and controls**

- Luminaire-Integrated LiFePO4 battery with 2000 cycle design life (5 years).
- Luminaire-Integrated monocrystalline silicon solar panel.
- Luminaire-Integrated high efficiency MPPT charge controller. Motion sense, fixed output, or time-based programming selectable via remote control (included). After activation,

standard software automatically turns fixture on in darkness and off when exposed to light.

- Panel controller-integrated over-charge/discharge protection optimizes battery life span.
- Operating temperature: -20°C to +50°C (-4°F to +122°F). Self-heating battery module version available for upgraded project applications in severe weather territories (i.e. Alaska), please inquire for further information.
- Compliant with 6kA electrical high-pot surge protection test.

**Construction and installation**

- Up to 64 W of monocrystalline

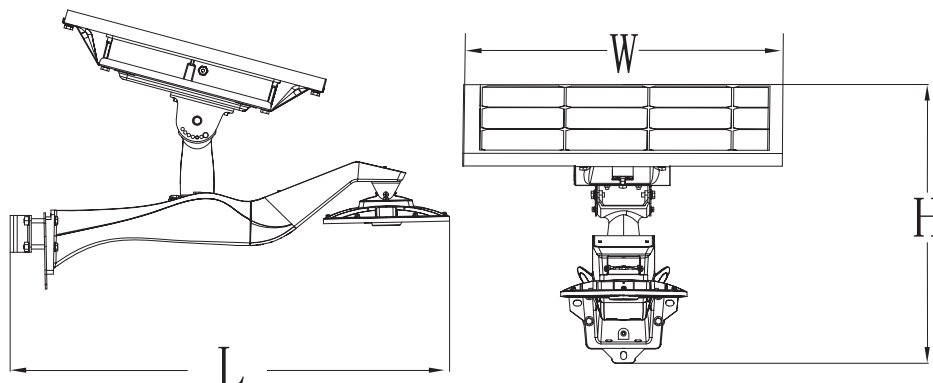
- solar panels can be added for proper light functions under shaded areas or heavy-duty applications. Adjustable lighting modules provide a self-cleaning solar panel surface.
- Rugged die-cast aluminum housing with UV resistant powder coat finish delivers industrial level resistance to weather, salt, and time.
- -45 degree to +45 degree solar panel vertical rotation plus 360-degree horizontal rotation offers industry-leading flexibility for installation, maintenance, and sunlight exposure optimization.
- Designed to mount to square poles, round poles, and wall

mounting applications. Fixtures can be configured with a diverse selection of mounting accessories in one package for easy DIY installation.

- IP65 rated luminaire protects integral components from harsh environments.

**Warranty and listing**

- SOLTECH Solar LED Fixtures carry a 3-year warranty for online retail transactions and a 5-year warranty for projects.
- CE and RoHS Compliant.
- IP65 rated luminaire is suitable for wet applications.
- MSDS report and UN38.8 testing for battery module.

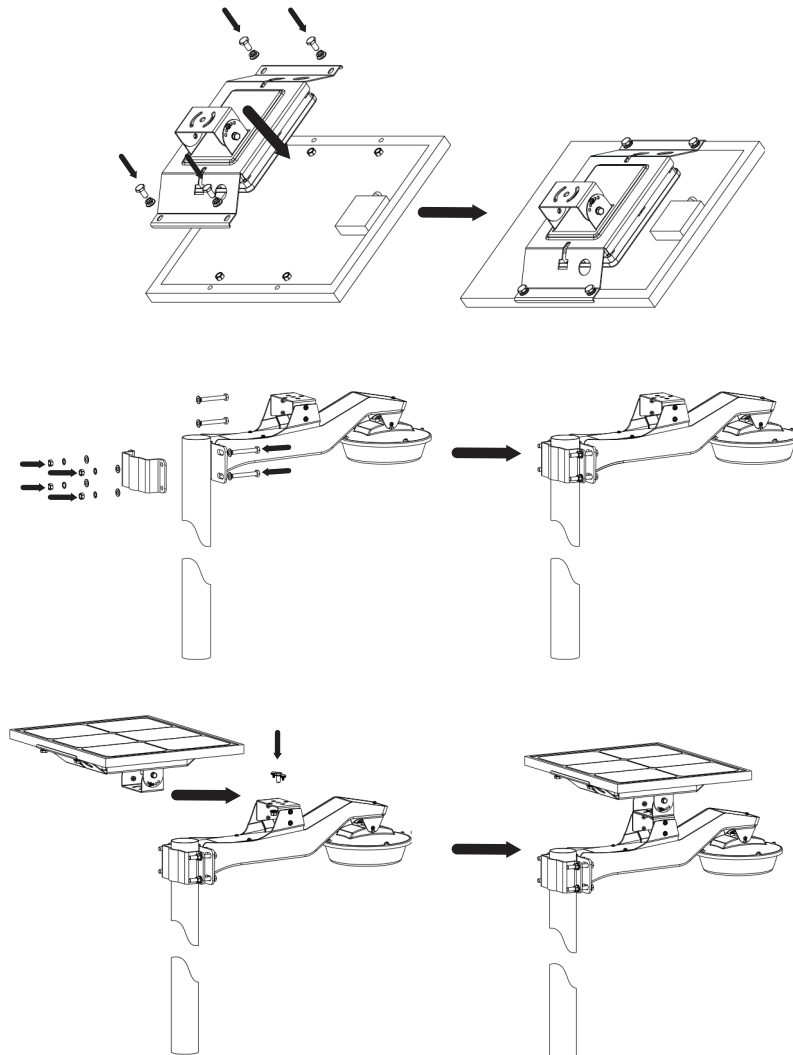
**Cegonia**  
 Lighting Fixture


**SPECIFICATIONS**

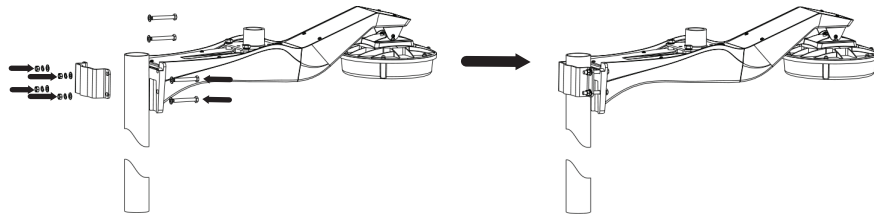
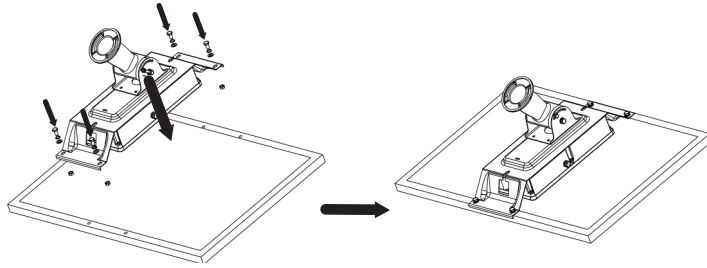
OUTBEAM	Cegonia 1600	Cegonia 4000	Cegonia 6000
Model	TLSTE08	TLSTE20	TLSTE30
Lumens	1500–1600	3800–4000	5700–6000
LED Chip	Lumileds 5050(215lm/W-CRI>70)	Lumileds 5050(215lm/W-CRI>70)	Lumileds 5050(215lm/W-CRI>70)
LED Module Power Rating	8W	20W	30W
Solar Panel (Monocrystalline)	20Wp 18V	48Wp 18V	64Wp 18V
Battery Capacity (Li-ion LiFePO4)	9A 12.8V	20A 12.8V	30A 12.8V
Charging Time*	7 hrs	7 hrs	7 hrs
Maximum Autonomy**	60 hrs	51 hrs	53 hrs
Materials	Body:Aluminum/Led cover:Polycarbonate		
Dimensions	17x24x13in	31x33x21in	31x33x21in
Installation Height	6 to 13ft	9 to 16ft	9 to 19ft
Operating Temperature	-4 to 122 °F	-4 to 122 °F	-4 to 122 °F
IP Rating	IP 65	IP 65	IP 65

**MOUNTING ACCESORIES**

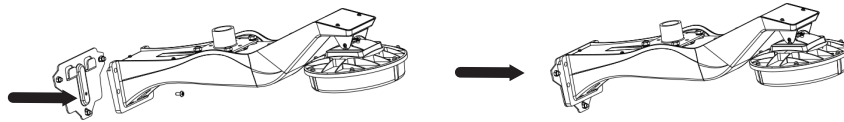
**ITEM: TLSTE8XPMWH**



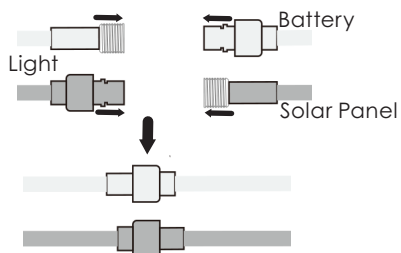
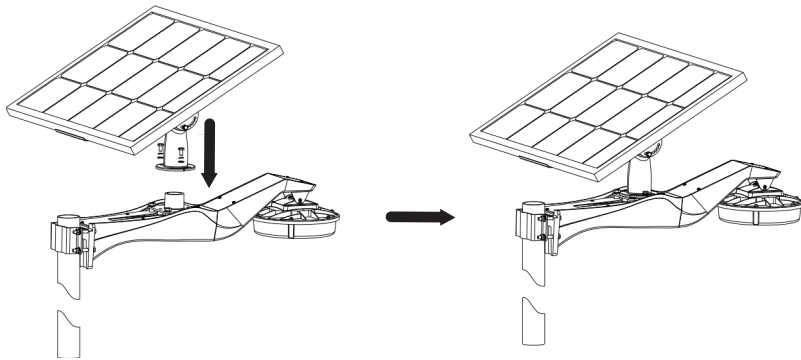
ITEM: TLSTE20XYWH; TLSTE30XYWH

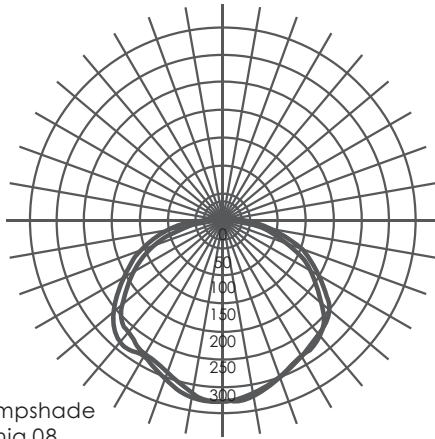
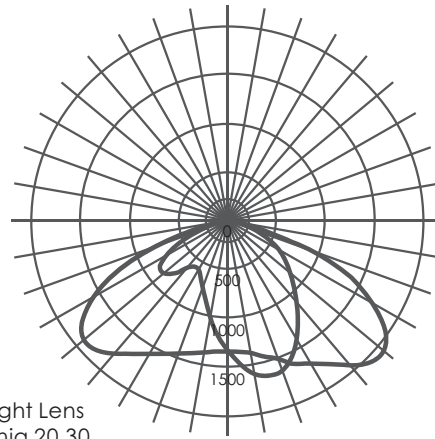
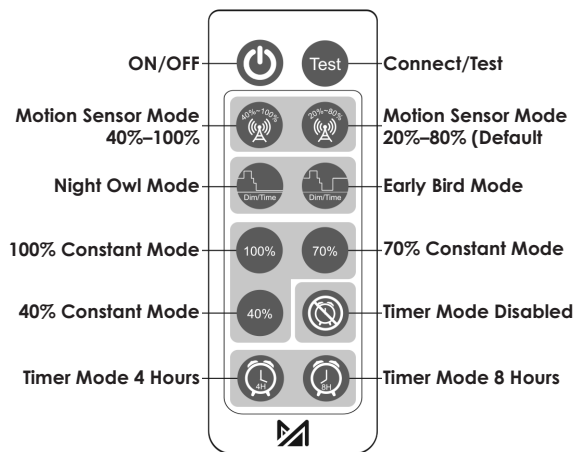


**A. POLE**



**B. WALL**




 PC Lampshade  
 Cegonia 08  
 120°

 Streelight Lens  
 Cegonia 20.30  
 70°x150°

**ON/OFF**

When OFF is selected, light stops working. Solar panel will not charge battery, battery does not supply electricity to the light.

**Connect/Test**

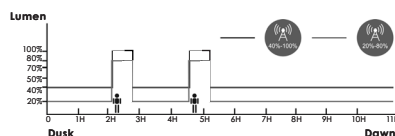
Remote control device can be connected with any lighting fixture, one at a time. To connect, press once. It also functions as a test button. To test, press once, red light indicates charging, green light indicates discharging. Testing lasts for 10 seconds, then goes back to the mode previously in use.

**Motion Sensor Mode  
40%–100%**

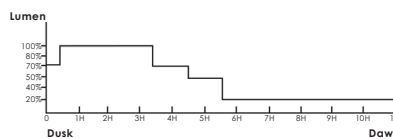
Constant 40% brightness (turns on at dusk, turns off at dawn); 100% brightness turns on for 2 minutes when motion detected.

**Motion Sensor Mode  
20%–80% (Default)**

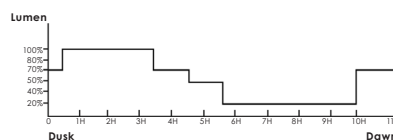
Constant 20% brightness (turns on at dusk, turns off at dawn); 80% brightness turns on for 2 minutes when motion detected.


**Night Owl Mode**

Changes as natural light decreases/increases: 70% brightness for Hour 0–0.5, 100% brightness for Hours 0.5–3.5, 70% brightness for Hours 3.5–4.5, 50% brightness for Hour 4.5–5.5, 20% brightness for Hours 5.5–11 (Dawn).


**Early Bird Mode**

Changes as natural light decreases/increases, with increased brightness near dawn for early risers: 70% brightness for Hour 0–0.5, 100% brightness for Hours 0.5–3.5, 70% brightness for Hour 3.5–4.5, 50% brightness for Hour 4.5–5.5, 20% brightness for Hours 5.5–10, 100% brightness for Hour 10–11 (Dawn).


**100% Constant Mode**

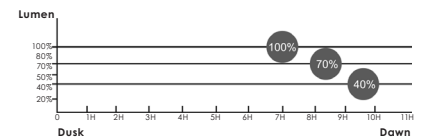
100% brightness from dusk to dawn.

**70% Constant Mode**

70% brightness from dusk to dawn.

**40% Constant Mode**

40% brightness from dusk to dawn.


**Timer Disabled**

Press this button to turn off Timer Mode; settings go back to before Timer Mode is last activated.

**Timer Mode 4 Hours**

Light turns off 4 hours after it turns on (dusk). For example: Press this button at any time, if light turns on at 7pm at dusk, it will turn off at 11pm. It will repeat the same schedule hereafter until it is cancelled by pressing Timer disabled.

**Timer Mode 8 Hours**

Light turns off 8 hours after it turns on (dusk). For example: Press this button at any time, if light turns on at 7pm at dusk, it will turn off at 3am. It will repeat the same schedule hereafter until it is cancelled by pressing Timer Disabled.